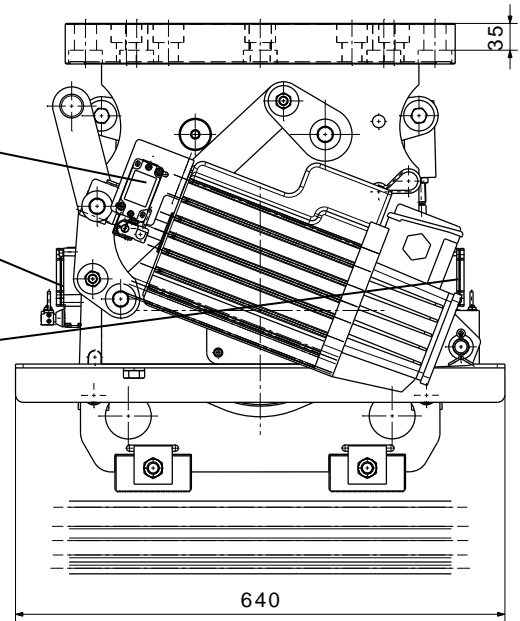
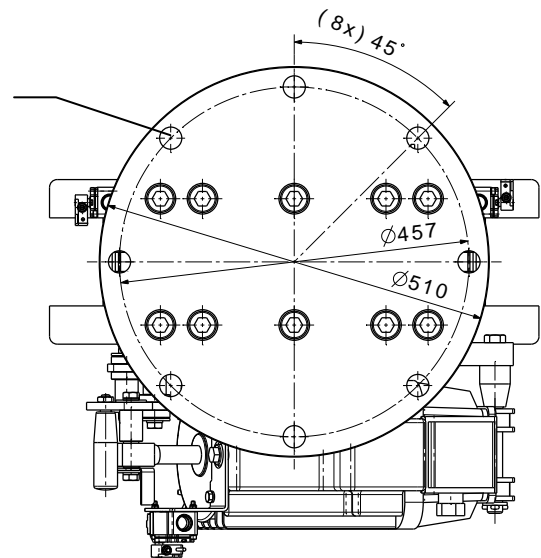
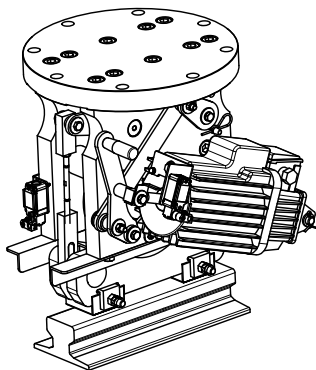


limit switch „released“  
directional limit switch „right“  
directional limit switch „left“  
12mm nominal distance brake „released“



8 bores Ø29 for cylinder-head screws  
DIN912-M27x80-10.9  
MA= 1250Nm,  $\mu$ 0,14



**Technical Data:**

- Bi-directionally acting, static storm brake for gantry travel.
- **Max. holding force  $F_H = 225 \text{ KN}$ .** It is generated by a wedge clamped between clamp wheel and crane rail.
- Released by Eldro thruster.
- Thruster with lowering valve and c-spring.
- With manual release lockable in released position.
- Field replaceable brake shoes.
- Brake shoes hardened and on the area of support it is carried out with sprockets.
- Limit switch for brake „released“.
- Limit switch for directional indication.
- Weight approx. 400kg.

**Information:**

- The crane can travel between 50mm and 100mm before the rail brake is engaged.
- Nominal gap between rail and released brake shoe is 12mm.
- Max. permissible deviation of rail height is +/- 6mm.
- The rail brake is designed for installation under gantry travel cross-beam.