

PRODUCT CATALOGUE
2009

MARBETT®
CONVEYOR COMPONENTS
SUPPORTING AND LEVELLING ELEMENTS
SELF-ALIGNING BEARINGS



FlatTop Europe

REXNORD
PRECISION. POWER. PERFORMANCE.

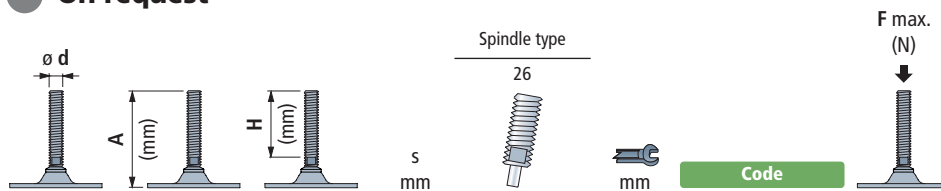
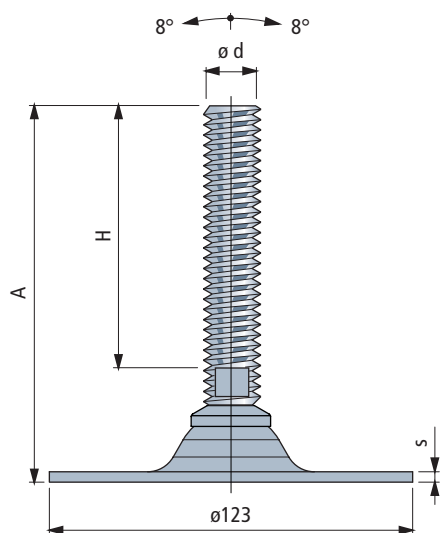


Articulated feet

in stainless steel and zinc plated steel

- ✔ Best choice
- ✔ Standard
- On request

Part. **R0351**



Feet in stainless steel							6000
	A (mm)	H (mm)	s mm	Spindle type	mm	Code	
M16	180	140	3	26	13	678721N	
M20	180	139	3	26	17	61106N	
M24	220	177	3	26	19	63797N	
M30	165	117	3	26	24	66014N	
	225	177	3	26	24	678741N	

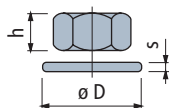
Feet in zinc plated steel							10000
	A (mm)	H (mm)	s mm	Spindle type	mm	Code	
M20	150	109	4	26	17	678661N	
	180	139	4	26	17	63767N	
	240	199	4	26	17	678671N	
M24	120	77	4	26	19	678681N	
	150	107	4	26	19	678691N	
	210	167	4	26	19	63777N	
	270	227	4	26	19	688101N	
M30	165	117	4	26	24	63787N	
	225	177	4	26	24	678711N	
	300	247	4	26	24	688111N	

Item code for order = Part. + Code

- Packaging : 8 pieces.
- On request different length.
- Fmax. = maximum applicable load in static conditions.

Accessories

Nut + Washer



Code		h mm	ø D mm	s mm
Stainless steel AISI 304	Zinc plated steel			
M16 R0000630212	R0000630142	13	24	30
M20 R0000630222	R0000630152	16	30	37
M24 R0000630232	R0000630162	19	36	44
M30 R0000630242	R0000630172	24	46	56

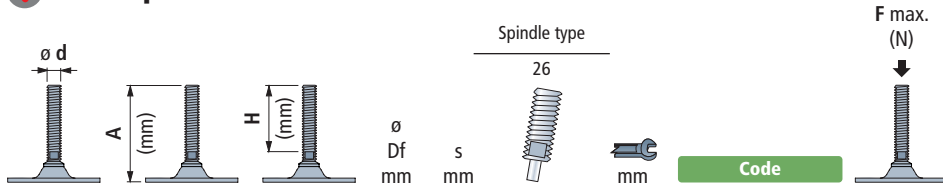
Packaging : 8 pieces.

Articulated Feet

in zinc plated steel



- Best choice
- Standard
- ✓ On request



Feet in zinc plated steel

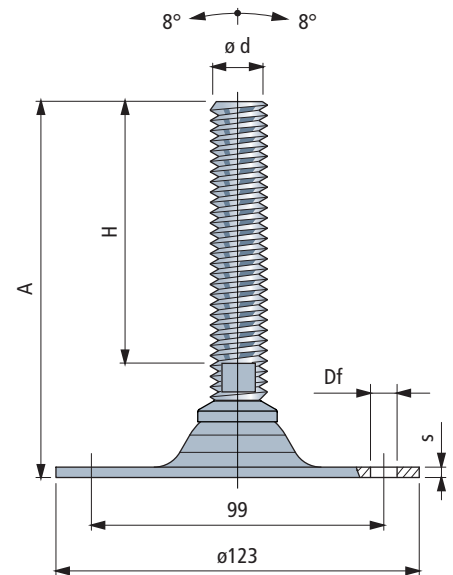
M24	150	107	15,5	4	26	19	600531N	10000
-----	-----	-----	------	---	----	----	---------	-------

Item code for order = Part. + Code

- Packaging : 8 pieces.
- On request different length.
- Fmax. = maximum applicable load in static conditions.

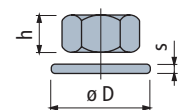
Part. R04

With 2 fixing holes



■ Accessories

Nut + Washer



Code		h	ø D	s
Zinc plated steel		mm	mm	mm
M24	R000630162	19	36	44

Packaging : 8 pieces.

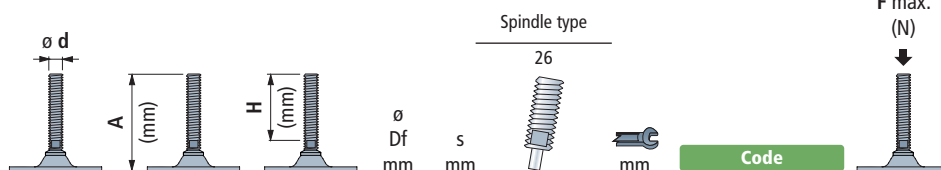
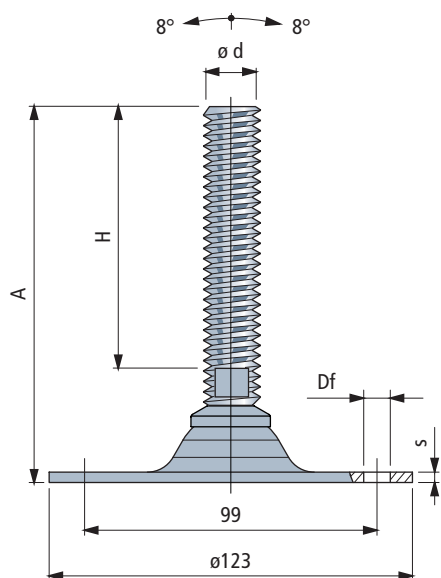
Articulated feet

in stainless steel and zinc plated steel

- Best choice
- Standard
- On request

Part. R034

With 4 fixing holes



Feet in stainless steel

	A (mm)	H (mm)	ø Df (mm)	s (mm)	Spindle type	mm	Code	F max. (N)
M16	180	140	9	3	26	13	682721N	6000
M20	180	139	9	3	26	17	68165N	
M24	220	177	9	3	26	19	63747N	
M30	165	117	9	3	26	24	63757N	
	225	177	9	3	26	24	682741N	

Feet in zinc plated steel

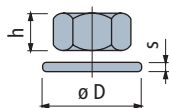
M20	150	109	9	4	26	17	682681N	10000
	180	139	9	4	26	17	65634N	
	240	199	9	4	26	17	64045N	
M24	120	77	9	4	26	19	682691N	
	150	107	9	4	26	19	604432N	
	210	167	9	4	26	19	65054N	
M30	270	227	9	4	26	19	688131N	
	165	117	9	4	26	24	65644N	
	225	177	9	4	26	24	682711N	
	300	247	9	4	26	24	688141N	

Item code for order = Part. + Code

- Packaging : 8 pieces.
- On request different length.
- Fmax. = maximum applicable load in static conditions.

Accessories

Nut + Washer



Code

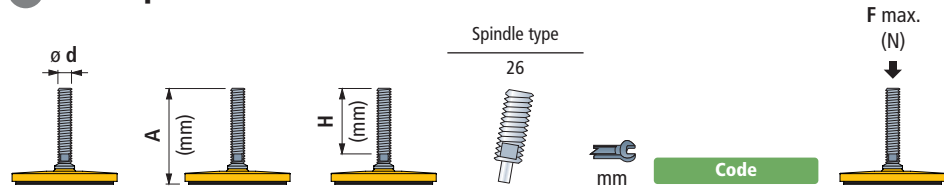
	Stainless steel AISI 304	Zinc plated steel	h mm	øD mm	s mm
M16	R0000630212	R0000630142	13	24	30
M20	R0000630222	R0000630152	16	30	37
M24	R0000630232	R0000630162	19	36	44
M30	R0000630242	R0000630172	24	46	56

Packaging : 8 pieces.

Articulated Feet in painted steel

ø160

- ✔ Best choice
- ✔ Standard
- On request



Spindle in stainless steel					
M16	180	140	26	13	678831N
M20	180	139	26	17	678841N
M24	220	177	26	19	678851N
M30	165	117	26	24	678861N
	225	177	26	24	678881N

50000

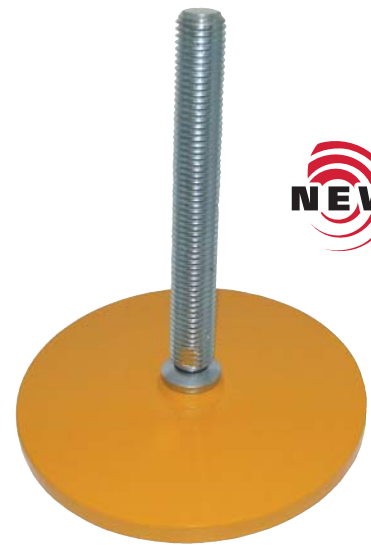
Spindle in zinc plated steel					
M20	150	109	26	17	678761N
	180	139	26	17	678771N
	240	199	26	17	678781N
M24	120	77	26	19	678791N
	150	107	26	19	61396N
	210	167	26	19	678801N
	270	227	26	19	688221N
M30	165	117	26	24	678811N
	225	177	26	24	678821N
	295	247	26	24	688231N

50000

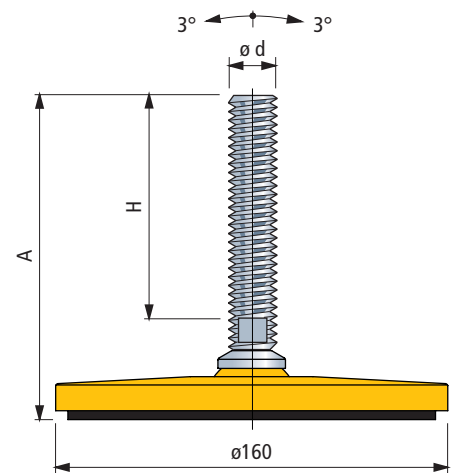
Item code for order = Part. + Code

- Material : footplate in painted steel yellow. Anti-slip in NBR rubber black (70 Shore).
- Packaging : 4 pieces.
- On request different length.
- Fmax. = maximum applicable load in static conditions.

Part. **R0408**

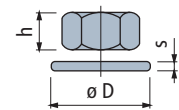


NEW



Accessories




Nut + Washer



Code		h	øD	s
Stainless steel AISI 304	Zinc plated steel	mm	mm	mm
M16 R0000630212	R0000630142	13	24	30
M20 R0000630222	R0000630152	16	30	37
M24 R0000630232	R0000630162	19	36	44
M30 R0000630242	R0000630172	24	46	56

Packaging : 8 pieces.

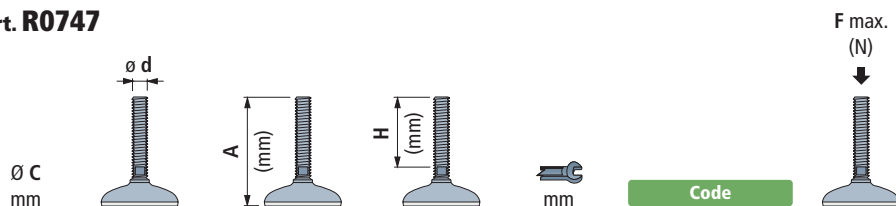
Articulated feet in stainless steel

-  **Best choice**
-  **Standard**
-  **On request**

Part. **R0747**
Part. **R0748**
Part. **R0749**



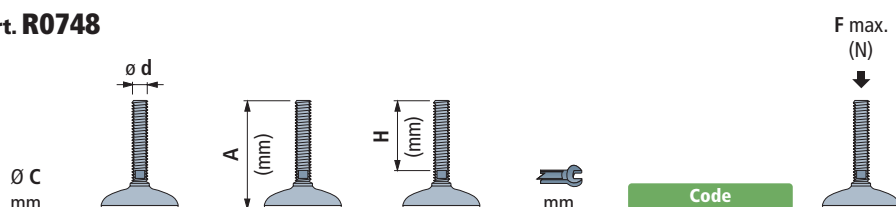
Part. R0747



Feet in stainless steel

Ø C (mm)	A (mm)	H (mm)	mm	Code	F max. (N)
M16	100	55	13	602003	25000
	182	136	13	602013	
M20	187	139	16	602023	
M24	217	167	19	602033	
M30	165	115	27	620793	
	215	165	27	620803	

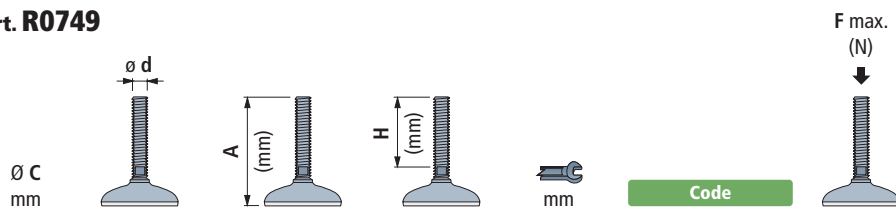
Part. R0748



Feet in stainless steel

Ø C (mm)	A (mm)	H (mm)	mm	Code	F max. (N)
M16	103	55	13	602043	25000
	185	136	13	602053	
M20	190	139	16	602063	
M24	220	167	19	602073	
M30	168	115	27	620813	
	218	165	27	620823	

Part. R0749



Feet in stainless steel

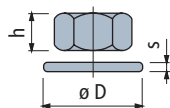
Ø C (mm)	A (mm)	H (mm)	mm	Code	F max. (N)
M16	190	55	13	602093	25000
M20	195	139	16	602103	
M24	225	167	19	602113	
M30	173	115	27	620833	
	223	165	27	620843	


Item code for order = Part. + Code

- Material :
Spindle in austenitic stainless steel.
Footplate in austenitic stainless steel.
Anti-slip in vulcanized NBR rubber (grey), 75 Shore.
- Packaging : 8 pieces.
- On request different length.
- Fmax. = maximum applicable load in static conditions.

Accessories

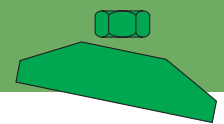
Nut + Washer



Code	Stainless steel AISI 304	h mm	 ØD mm	s mm
M16	R0000630212	13	24	30
M20	R0000630222	16	30	37
M24	R0000630232	19	36	44
M30	R0000630242	24	46	56

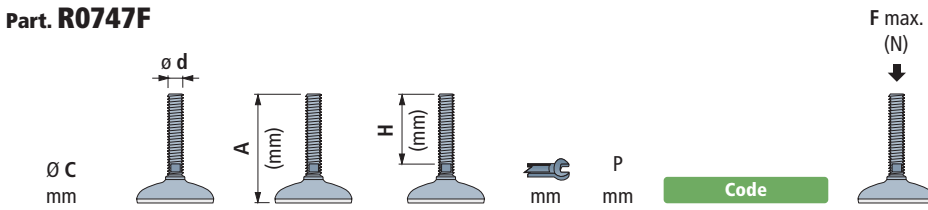
Packaging : 8 pieces.

Articulated feet in stainless steel



- ✔ Best choice
- ✔ Standard
- On request

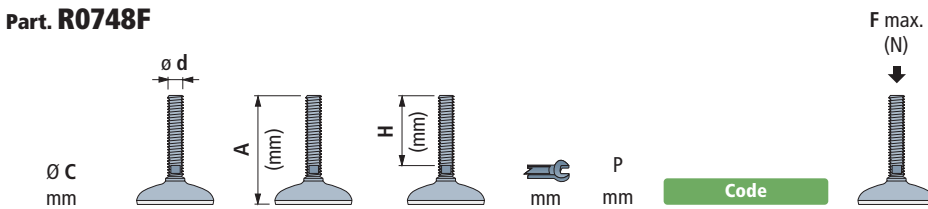
Part. R0747F



Feet in stainless steel

Ø C (mm)	A (mm)	H (mm)	P (mm)	Code	F max. (N)
M16	100	55	13	616053	25000
	182	136	13	616063	
M20	187	139	16	616073	
M24	217	167	19	616083	
M30	165	115	27	620853	
	215	165	27	620863	

Part. R0748F



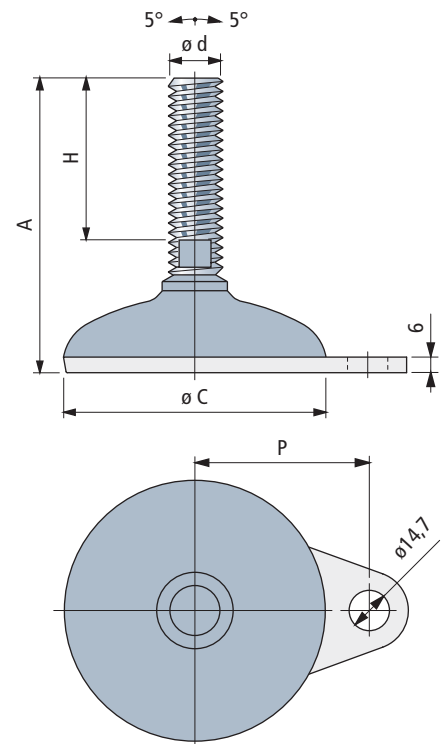
Feet in stainless steel

Ø C (mm)	A (mm)	H (mm)	P (mm)	Code	F max. (N)
M16	103	55	13	616093	25000
	185	136	13	616103	
M20	190	139	16	616113	
M24	220	167	19	616123	
M30	168	115	27	620873	
	218	165	27	620883	

Item code for order = Part. + Code

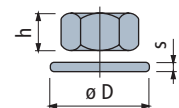
- Material :
Spindle in austenitic stainless steel.
Footplate in austenitic stainless steel.
Anti-slip in vulcanized NBR rubber (grey), 75 Shore.
- Packaging : 8 pieces.
- On request different length.
- Fmax. = maximum applicable load in static conditions.

Part. **R0747F**
Part. **R0748F**



Accessories

Nut + Washer



Code	Stainless steel AISI 304	h (mm)	Ø (mm)	s (mm)
M16	R0000630212	13	24	30
M20	R0000630222	16	30	37
M24	R0000630232	19	36	44
M30	R0000630242	24	46	56

Packaging : 8 pieces.

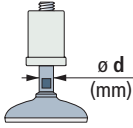


Articulated feet in stainless steel

- ✔ Best choice
- ✔ Standard
- On request

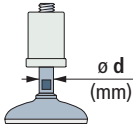


Part. **R0750**
Part. **R0751**
Part. **R0752**



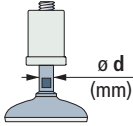


Part. **R0750**

$\varnothing C$ mm	 $\varnothing d$ (mm)	 mm	Code	F max. (N)
Feet in stainless steel				
	16	13	602123	12000
	20	16	602133	

Part. **R0751**

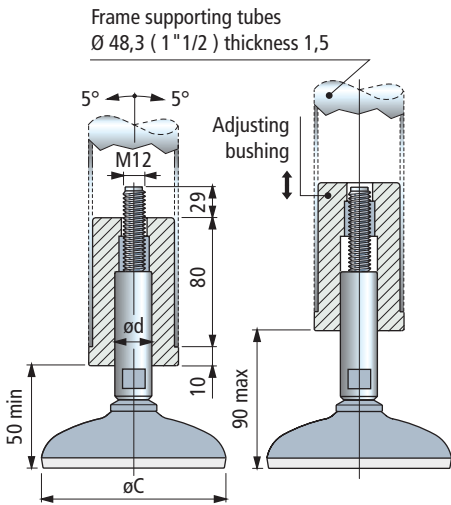
$\varnothing C$ mm	 $\varnothing d$ (mm)	 mm	Code	F max. (N)
Feet in stainless steel				
	16	13	602143	12000
	20	16	602153	

Part. **R0752**

$\varnothing C$ mm	 $\varnothing d$ (mm)	 mm	Code	F max. (N)
Feet in stainless steel				
	16	13	602163	12000
	20	16	602173	

Item code for order = Part. + Code

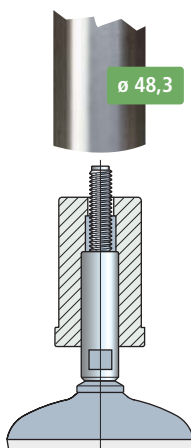
- Material :
Spindle in austenitic stainless steel.
Footplate in austenitic stainless steel.
Anti-slip in vulcanized NBR rubber (grey), 75 Shore.
Adjusting bushing in reinforced polyamide PAFV (white) with Microban®.
Threaded bushing in nickel plated brass.
- Packaging : 8 pieces.
- On request different length.
- Fmax. = maximum applicable load in static conditions.



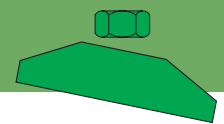
Frame supporting tubes
 $\varnothing 48,3$ (1"1/2) thickness 1,5

■ Assembly

Can be used with
frame supporting tubes
dia. 48,3 mm (1"1/2),
thickness 1,5 mm.

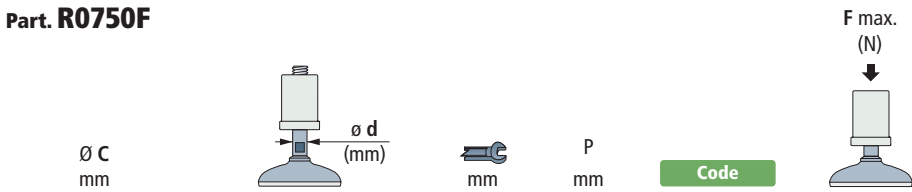


Articulated feet in stainless steel



- ✔ Best choice
- ✔ Standard
- On request

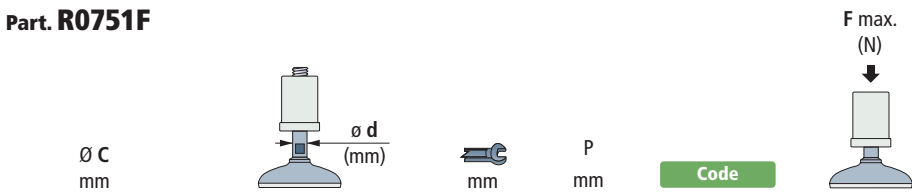
Part. R0750F



Feet in stainless steel

	Ø C (mm)	Ø d (mm)	P (mm)	Code	F max. (N)
	16	13	55	616133	12000
	20	16	55	616143	

Part. R0751F



Feet in stainless steel

	Ø C (mm)	Ø d (mm)	P (mm)	Code	F max. (N)
	16	13	67	616153	12000
	20	16	67	616163	

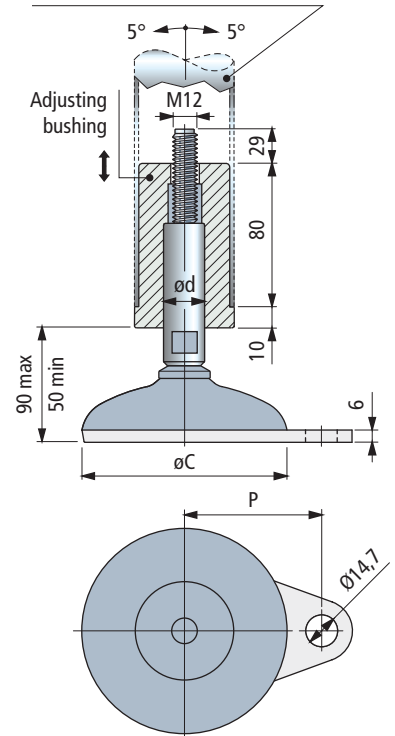
Item code for order = Part. + Code

- Material :
Spindle in austenitic stainless steel.
Footplate in austenitic stainless steel.
Anti-slip in vulcanized NBR rubber (grey), 75 Shore.
Adjusting bushing in reinforced polyamide PAFV (white) with Microban®.
Threaded bushing in nickel plated brass.
- Packaging : 8 pieces.
- On request different length.
- Fmax. = maximum applicable load in static conditions.

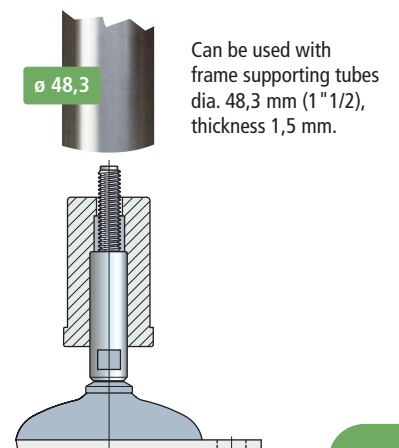
Part. R0750F
Part. R0751F



Frame supporting tubes
Ø 48,3 (1 " 1/2) thickness 1,5



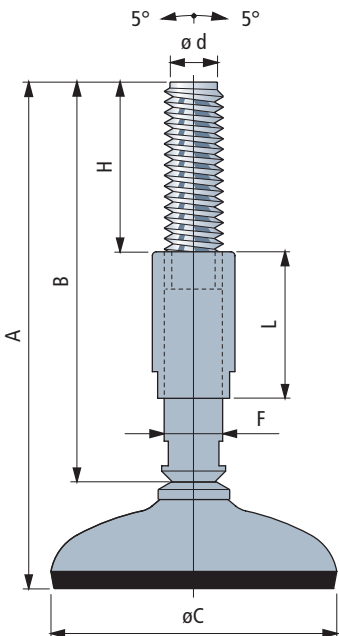
■ **Assembly**



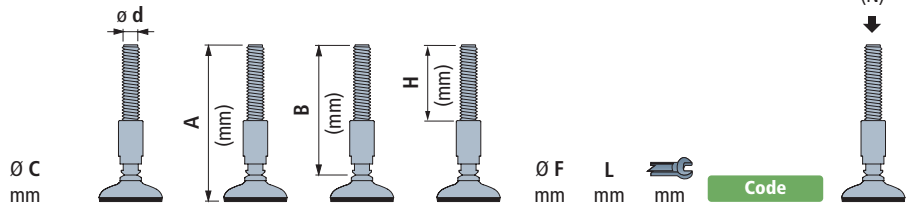
Articulated feet in stainless steel

- ✔ Best choice
- ✔ Standard
- On request

Part. **R0750S**
Part. **R0751S**
Part. **R0752S**



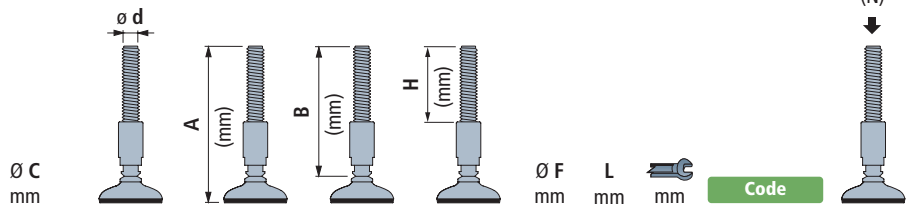
Part. **R0750S**



Feet in stainless steel

Code	M	A (mm)	B (mm)	H (mm)	F (mm)	L (mm)	Wrench (mm)	Code	F max. (N)
613603	M16	200	165	100	23	55	13	613603	25000
		250	215	120	23	85	13		
613623	M20	200	165	100	27	55	16	613623	25000
		250	215	120	27	85	16		
613643	M24	200	165	100	31	55	19	613643	25000
		250	215	120	31	85	19		

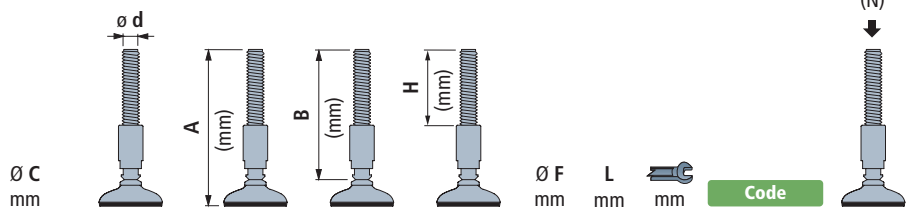
Part. **R0751S**



Feet in stainless steel

Code	M	A (mm)	B (mm)	H (mm)	F (mm)	L (mm)	Wrench (mm)	Code	F max. (N)
613663	M16	200	165	100	23	55	13	613663	50000
		250	215	120	23	85	13		
613683	M20	200	165	100	27	55	16	613683	50000
		250	215	120	27	85	16		
613703	M24	200	165	100	31	55	19	613703	50000
		250	215	120	31	85	19		

Part. **R0752S**



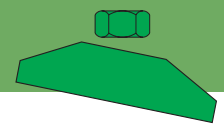
Feet in stainless steel

Code	M	A (mm)	B (mm)	H (mm)	F (mm)	L (mm)	Wrench (mm)	Code	F max. (N)
613723	M16	200	165	100	23	55	13	613723	50000
		250	215	120	23	85	13		
613743	M20	200	165	100	27	55	16	613743	50000
		250	215	120	27	85	16		
613763	M24	200	165	100	31	55	19	613763	50000
		250	215	120	31	85	19		

Item code for order = Part. + Code

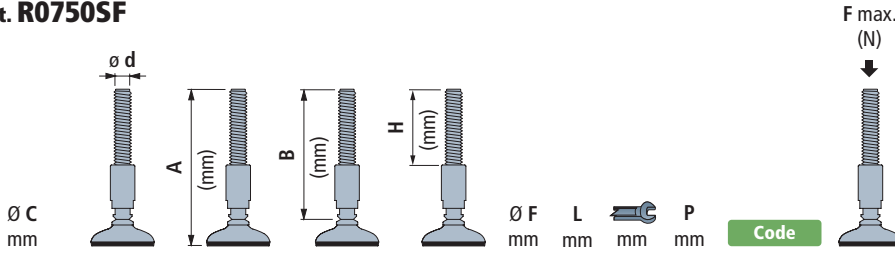
- Material :
Spindle and threaded bushing in austenitic stainless steel.
Footplate in austenitic stainless steel.
Anti-slip in vulcanized NBR rubber (black), 95 Shore.
- Packaging : 8 pieces.
- Fmax. = maximum applicable load in static conditions.

Articulated feet in stainless steel



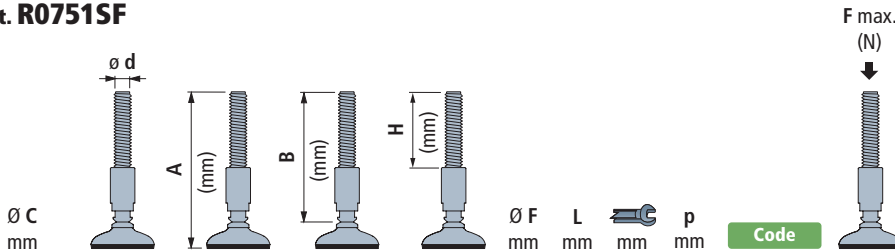
- ✔ **Best choice**
- ✔ **Standard**
- **On request**

Part. R0750SF



Feet in stainless steel									
Ø C mm	M	A (mm)	B (mm)	H (mm)	Ø F mm	L mm	P mm	Code	F max. (N)
200	M16	200	165	100	23	55	13	55	25000
		250	215	120	23	85	13	55	
250	M20	200	165	100	27	55	16	55	25000
		250	215	120	27	85	16	55	
200	M24	200	165	100	31	55	19	55	25000
		250	215	120	31	85	19	55	

Part. R0751SF

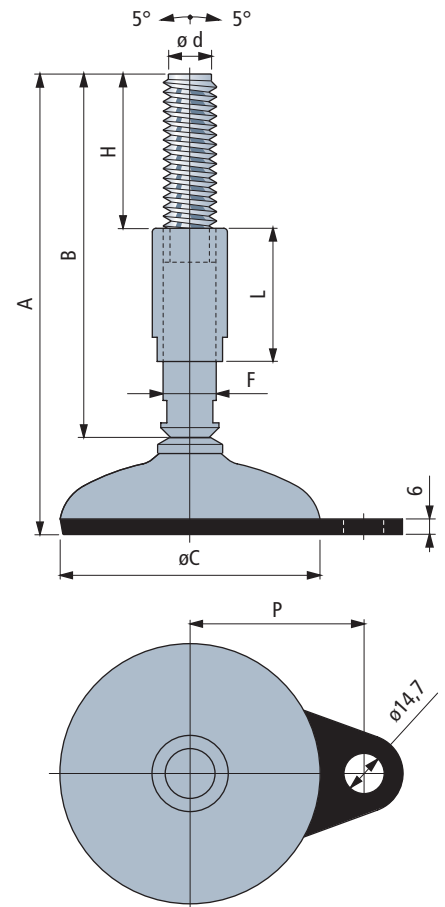


Feet in stainless steel									
Ø C mm	M	A (mm)	B (mm)	H (mm)	Ø F mm	L mm	p mm	Code	F max. (N)
200	M16	200	165	100	23	55	13	67	50000
		250	215	120	23	85	13	67	
250	M20	200	165	100	27	55	16	67	50000
		250	215	120	27	85	16	67	
200	M24	200	165	100	31	55	19	67	50000
		250	215	120	31	85	19	67	

Item code for order = Part. + Code

- Material :
Spindle and threaded bushing in austenitic stainless steel.
Footplate in austenitic stainless steel.
Anti-slip in vulcanized NBR rubber (black), 95 Shore.
- Packaging : 8 pieces.
- Fmax. = maximum applicable load in static conditions.

Part. R0750SF Part. R0751SF



Ø 120

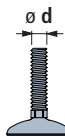


Articulated feet
in stainless steel

Part. **R0749**

NEW

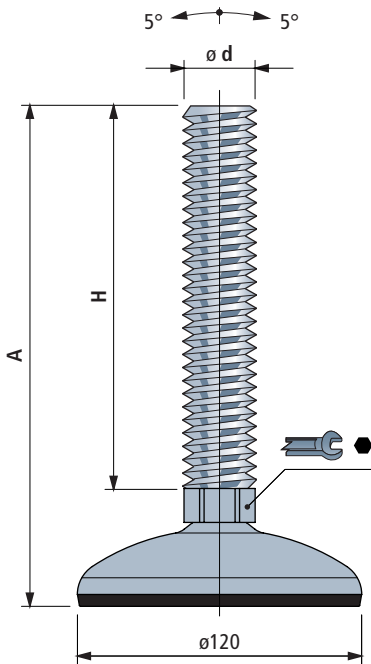


- ✔ **Best choice**
- **Standard**
- ✔ **On request**

Ø C mm		A (mm)	H (mm)		Code	F max. (N)
	M30	250	200	27	616433	50000
	M36	265	216	32	628033	

Item code for order = Part. + Code

- Material :
Spindle in austenitic stainless steel.
Footplate in austenitic stainless steel.
Anti-slip in vulcanized NBR rubber (black), 95 Shore.
- Packaging : 8 pieces.
- On request different length.
- Fmax. = maximum applicable load in static conditions.



**HIGH WORKING LOAD
IDEAL FOR MACHINES**

Articulated feet
in stainless steel



- Best choice
- Standard
- ✓ On request



Part. R0773

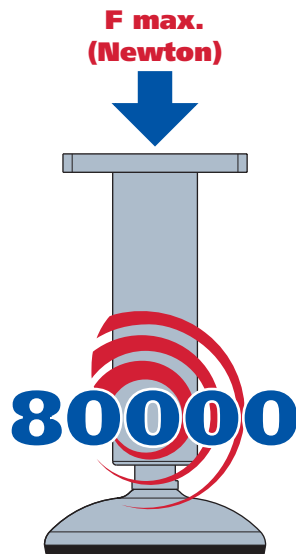


PATENT

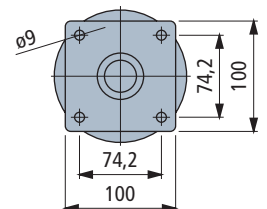
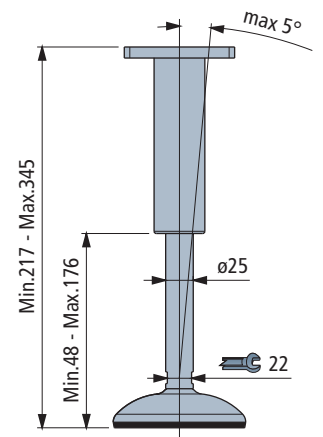
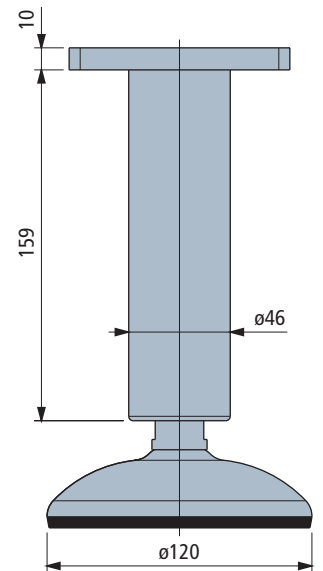
Ø C mm	Code	
Feet in stainless steel		
	611233	80000

Item code for order = Part. + Code

- Material :
Spindle and threaded bushing in austenitic stainless steel.
Footplate in austenitic stainless steel.
Anti-slip in vulcanized NBR rubber (black), 95 Shore.
- Packaging : 8 pieces.
- Fixing flange with special dimensions available upon request.
- Fmax. = maximum applicable load in static conditions.



**HIGH WORKING LOAD
IDEAL FOR MACHINES**



AUSTRALIA

Rexnord Australia Pty. Ltd.
Picton, New South Wales
Phone: 61-2-4677-3811
Fax: 61-2-4677-3812

BRAZIL

Rexnord Correntes Ltda.
Sao Leopoldo - RS
Phone: 55-51-579-8022
Fax: 55-51-579-8029

CANADA

Rexnord Canada Ltd.
Scarborough, Ontario
Phone: 1-416-297-6868
Fax: 1-416-297-6873

CHINA

Rexnord China
Shanghai
Phone: 86-21-62701942
Fax: 86-21-62701943

FLATTOP EUROPE

Rexnord FlatTop Europe b.v.
's-Gravenzande, The Netherlands
Phone: 31-174-445-111
Fax: 31-174-445-222

Rexnord Marbett S.r.L.
Correggio (RE), Italy
Phone: 39-0522-639333
Fax: 39-0522-637778

UNITED STATES

Customer Service
Phone: 1-866-REXNORD
(1-866-739-6673)
Fax: 1-614-675-1898
E-mail: rexnordcs(state)@rexnord.com
Example: rexnordcsohio@rexnord.com

Rexnord FlatTop North America
Grafton, Wisconsin
Phone: 1-262-376-4700
Fax: 1-262-376-4720

Rexnord International - Power Transmission
Milwaukee, Wisconsin
Phone: 1-414-643-2366
Fax: 1-414-643-3222
E-mail: international2@rexnord.com

ALL COUNTRIES NOT LISTED

Rexnord FlatTop Europe b.v.
's-Gravenzande, The Netherlands
Phone: 31-174-445-111
Fax: 31-174-445-222

After Hours/Emergency Phone:
31-174-445-112



www.rexnordflattop.com
flattopeurope@rexnord.com