

PRODUCT CATALOGUE  
2009

MARBETT®  
CONVEYOR COMPONENTS  
SUPPORTING AND LEVELLING ELEMENTS  
SELF-ALIGNING BEARINGS



FlatTop Europe

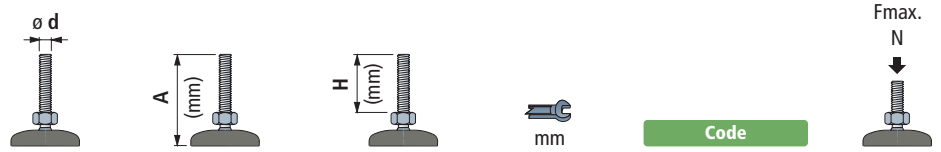
**REXNORD**  
PRECISION. POWER. PERFORMANCE.



**Fixed feet**  
in reinforced polyamide

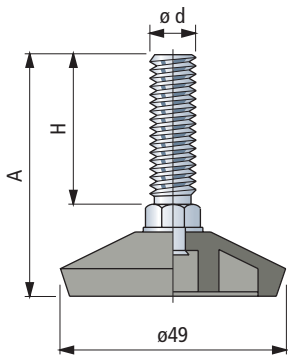
Part. **R0600**

- ✔ **Best choice**
- **Standard**
- **On request**



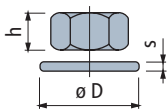
Spindle in zinc plated steel					
M10	50	30	10	68582	2000

- Item code for order = Part. + Code**
- Footplate material : reinforced polyamide PA FV ( black ).
  - Packaging : 48 pieces.
  - Fmax. = maximum applicable load in static conditions.



■ **Accessories**

**Nut + Washer**

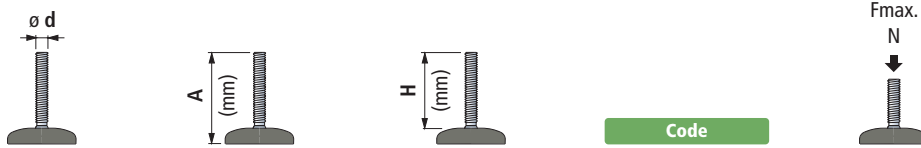


Code		h	øD	s
	Zinc plated steel	mm	mm	mm
M10	<b>R0000630112</b>	8	17	21 2

Packaging : 24 pieces.

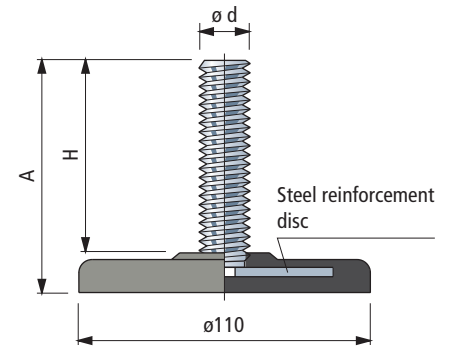
- ✔ **Best choice**
- **Standard**
- **On request**

**Part. R0031**



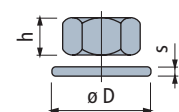
Spindle in zinc plated steel				
			Code	
M16	101	86	51500	6000

- Item code for order = Part. + Code**
- Footplate material : PVC rubber black ( 50 Shore ).
  - Packaging : 20 pieces.
  - Fmax. = maximum applicable load in static conditions.



■ **Accessories**

**Nut + Washer**



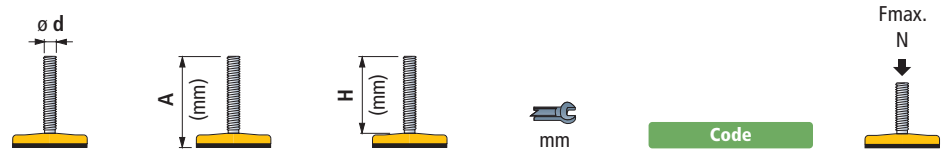
	Code				
	Zinc plated steel	h	øD	s	
		mm	mm	mm	mm
M16	R0000630142	13	24	30	3

Packaging : 8 pieces.

**Fixed feet**  
in painted steel

- Best choice
- ✔ Standard
- On request

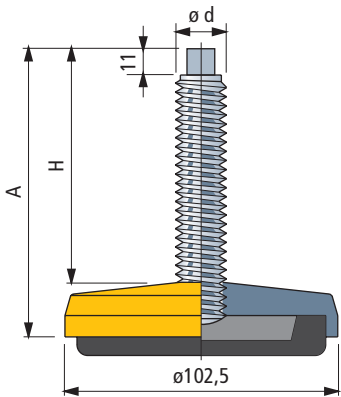
**Part. R0403**



Spindle in zinc plated steel					
M16	154	128	10	Code	Fmax. N
				66604	50000

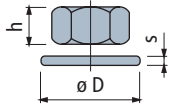
**Item code for order = Part. + Code**

- Material : footplate in painted steel yellow. Anti-slip in NBR rubber black ( 70 Shore ).
- Packaging : 8 pieces.
- On request different length.
- Fmax. = maximum applicable load in static conditions.



■ Accessories

**Nut + Washer**



Code		Zinc plated steel	h	ø D	s
			mm	mm	mm
M16	R0000630142		13	24	30

Packaging : 8 pieces.

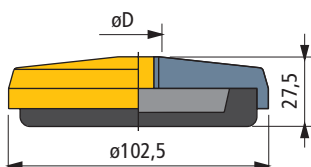
**Part. R0528**



Code		Fmax. N
M16	644351	50000

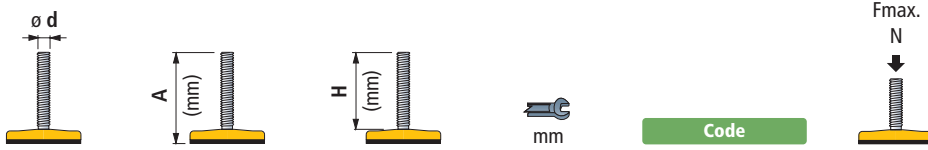
**Item code for order = Part. + Code**

- Material : footplate in painted steel yellow. Anti-slip in NBR rubber black ( 70 Shore ).
- Packaging : 8 pieces.
- Fmax. = maximum applicable load in static conditions.



- Best choice
- ✓ Standard
- On request

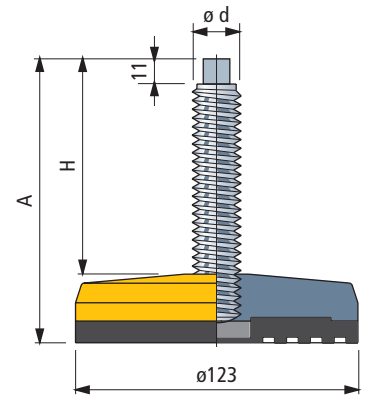
**Part. R0406**



Spindle in zinc plated steel					
M16	157	127	10	Code	Fmax. N
				66614	50000

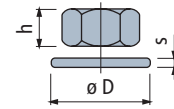
**Item code for order = Part. + Code**

- Material : footplate in painted steel yellow. Anti-slip in NBR rubber black ( 80 Shore ).
- Packaging : 8 pieces.
- On request different length.
- Fmax. = maximum applicable load in static conditions.



■ Accessories

**Nut + Washer**



Code		Zinc plated steel	h mm	øD mm	s mm
M16	R0000630142		13	24	30

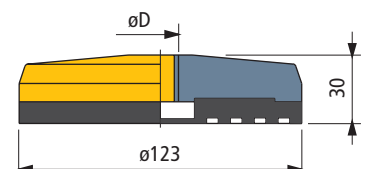
Packaging : 8 pieces.

**Part. R0529**

M16	Code	Fmax. N
	644361	50000

**Item code for order = Part. + Code**

- Material : footplate in painted steel yellow. Anti-slip in NBR rubber black ( 80 Shore ).
- Packaging : 8 pieces.
- Fmax. = maximum applicable load in static conditions.



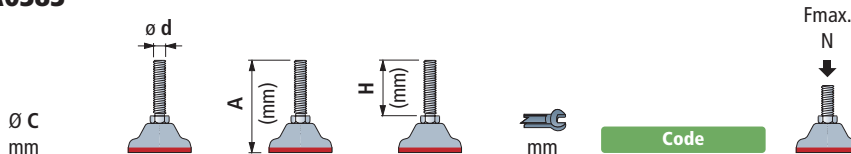
**Fixed feet**  
in stainless steel

- Best choice
- ✔ Standard
- On request

Part. **R0383**  
Part. **R0384**  
Part. **R0399**  
Part. **R0385**



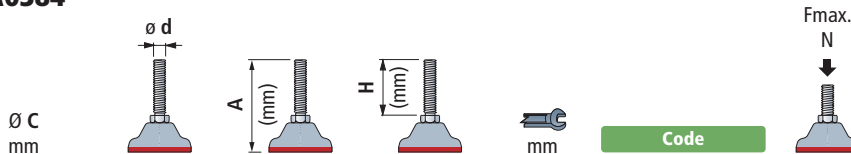
Part. **R0383**



**Feet in stainless steel**

	M8	57	30	13	65426	7000
--	----	----	----	----	-------	------

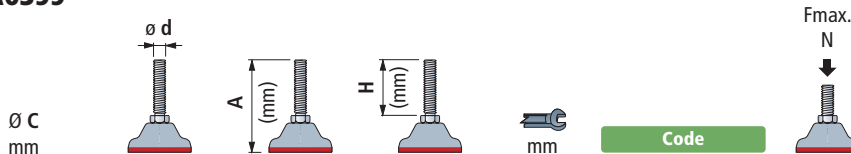
Part. **R0384**



**Feet in stainless steel**

	M12	90	50	19	65436	12000
--	-----	----	----	----	-------	-------

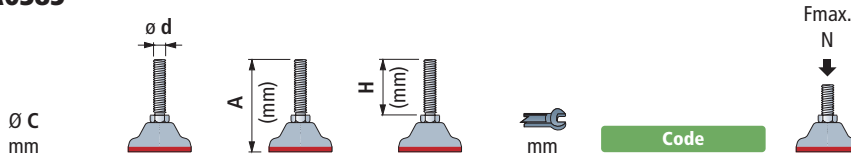
Part. **R0399**



**Feet in stainless steel**

	M16	100	60	24	61627	11000
--	-----	-----	----	----	-------	-------

Part. **R0385**



**Feet in stainless steel**

	M20	130	70	30	65446	10000
--	-----	-----	----	----	-------	-------

**Item code for order = Part. + Code**

- Material : footplate and spindle in stainless steel AISI 304. Anti-slip in Adiprene ( red ).
- Packaging : 16 pieces ( for Part. 383 ). 8 pieces ( for Part. 384-399 ). 4 pieces ( for Part. 385 ).
- Fmax. = maximum applicable load in static conditions.

**Characteristics**

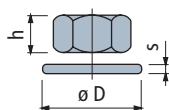
The Adiprene anti-slip element has acid resistant characteristics and resists loads occurring in heavy duty applications. Feet to be used in humid applications, where they will be subjected to frequent cleaning with detergents, in presence of chemical products and acids and where optimum cleanliness and hygiene is required.

**Application**

The food-, dairy and meat industry.  
Chemical and pharmaceutical industries.

■ Accessories

**Nut + Washer**



	Code	Stainless steel AISI 304	h mm	mm	$\varnothing D$ mm	s mm
M8	<b>R0000654922</b>		6,5	13	17	1,6
M12	<b>R0000630192</b>		10	19	24	2,5
M16	<b>R0000630212</b>		13	24	30	3
M20	<b>R0000630222</b>		16	30	37	3

Packaging : 8 pieces.

**AUSTRALIA**

Rexnord Australia Pty. Ltd.  
Picton, New South Wales  
Phone: 61-2-4677-3811  
Fax: 61-2-4677-3812

**BRAZIL**

Rexnord Correntes Ltda.  
Sao Leopoldo - RS  
Phone: 55-51-579-8022  
Fax: 55-51-579-8029

**CANADA**

Rexnord Canada Ltd.  
Scarborough, Ontario  
Phone: 1-416-297-6868  
Fax: 1-416-297-6873

**CHINA**

Rexnord China  
Shanghai  
Phone: 86-21-62701942  
Fax: 86-21-62701943

**FLATTOP EUROPE**

Rexnord FlatTop Europe b.v.  
's-Gravenzande, The Netherlands  
Phone: 31-174-445-111  
Fax: 31-174-445-222

Rexnord Marbett S.r.L.  
Correggio (RE), Italy  
Phone: 39-0522-639333  
Fax: 39-0522-637778

**UNITED STATES**

Customer Service  
Phone: 1-866-REXNORD  
(1-866-739-6673)  
Fax: 1-614-675-1898  
E-mail: rexnordcs(state)@rexnord.com  
Example: rexnordcsohio@rexnord.com

Rexnord FlatTop North America  
Grafton, Wisconsin  
Phone: 1-262-376-4700  
Fax: 1-262-376-4720

Rexnord International - Power Transmission  
Milwaukee, Wisconsin  
Phone: 1-414-643-2366  
Fax: 1-414-643-3222  
E-mail: international2@rexnord.com

**ALL COUNTRIES NOT LISTED**

Rexnord FlatTop Europe b.v.  
's-Gravenzande, The Netherlands  
Phone: 31-174-445-111  
Fax: 31-174-445-222

**After Hours/Emergency Phone:**  
31-174-445-112



www.rexnordflattop.com  
flattopeurope@rexnord.com