

PRODUCT CATALOGUE  
2009

MARBETT®  
CONVEYOR COMPONENTS  
SUPPORTING AND LEVELLING ELEMENTS  
SELF-ALIGNING BEARINGS



FlatTop Europe

**REXNORD**  
PRECISION. POWER. PERFORMANCE.

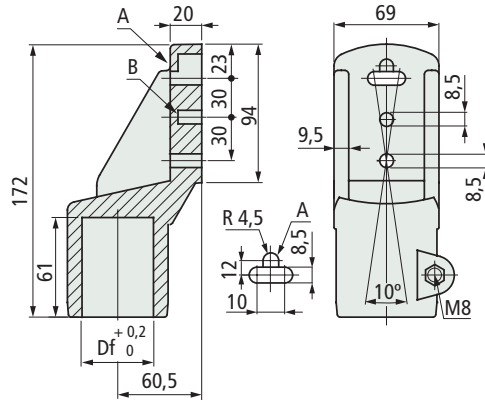
Part. **S0199**



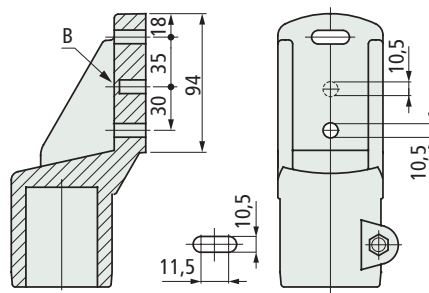
For round and square tubes

■ Side mounting top bracket

Version with fixing holes for M8



Version with fixing holes for M10



Tube dimensions mm	Bore Df mm	Bolts material	Code
--------------------	------------	----------------	------

Version with fixing holes for M8

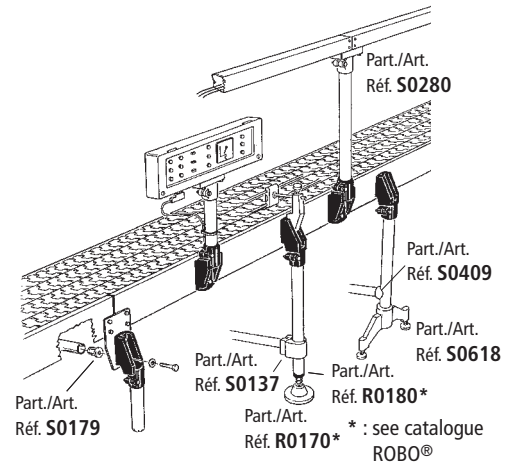
Ø 48,3 (1" 1/2)	Ø 48,3	Austenitic stainless steel	59171
Ø 50,8	Ø 50,8	Austenitic stainless steel	664771
∅ 38x38	∅ 38	Austenitic stainless steel	611622
		Zinc plated steel	611712
∅ 40x40	∅ 40	Austenitic stainless steel	611632
		Zinc plated steel	611722

Version with fixing holes for M10

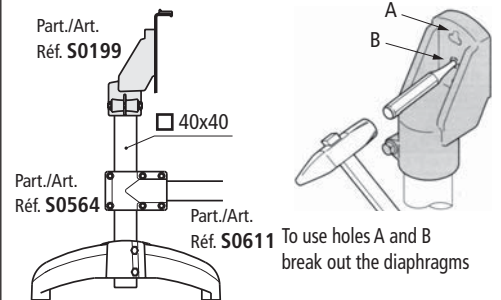
Ø 48,3 (1" 1/2)	Ø 48,3	Austenitic stainless steel	61683
-----------------	--------	----------------------------	-------

- Material : reinforced polyamide PA FV (black).
- Weight : 0,32 Kg.
- Max recommended tightening torque : 2 Kgm.
- Packaging : 24 pieces.

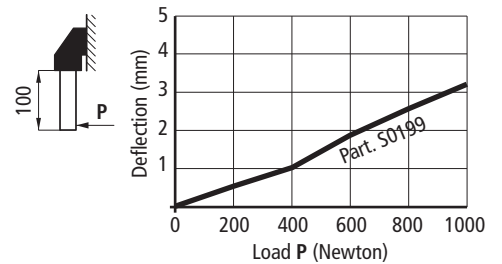
• Assembly of Part. S0199 (with round tubes)



• Assembly of Part. S0199 (with square tubes)



• Deflection of Part. S0199



• Sliding load



• Breaking load



- Part. S0199- Ø 48,3 (P = 3600 N)
- Part. S0199- ∅ 38 (P = 2600 N)
- Part. S0199- ∅ 40 (P = 1900 N)

Tests performed at tightening torque : 2 Kgm

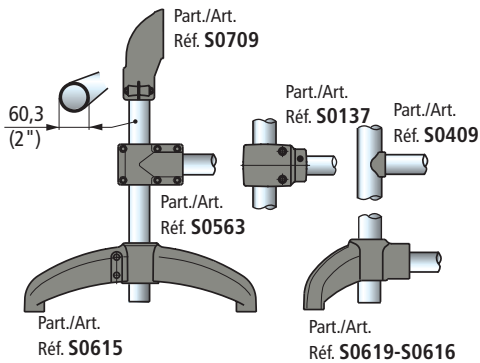
● Best choice

● Standard

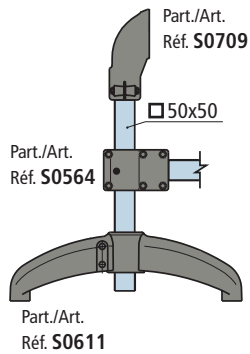
● On request : minimum quantity may apply. Consult our Customer Service for availability.

Item code for order = Part. + Code

- Assembly of Part. S0709 (with round tubes Ø 60,3 mm (2")).

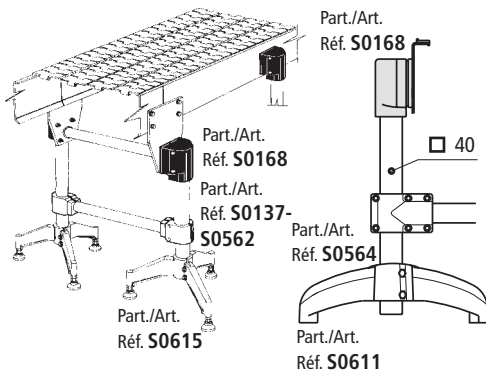


- Assembly of Part. S0709 (with square tubes 50x50 mm).

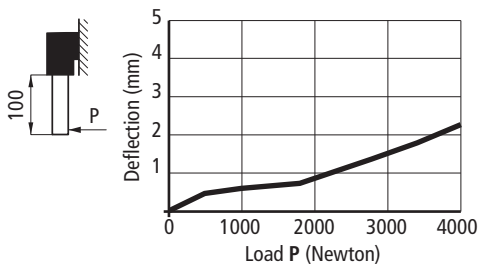


- Assembly of Part. S0168 (with square tubes)

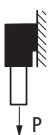
- Assembly of Part. S0168 (with round tubes)



- Deflection of Part. S0168



- Sliding load



With tubes Ø 48,3  
(P = 1900 N)  
With tubes 40  
(P = 3100 N)

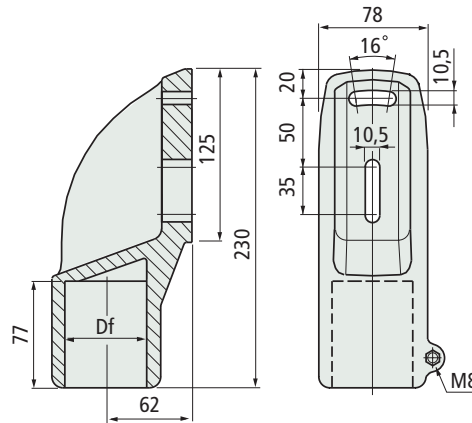
- Breaking load



P = 22300 N

Tests performed at tightening torque : 2 Kgm

## Side mounting top bracket



Tube dimensions mm	Bore Df mm	Code
Ø 60,3 (2'')	Ø 60,3	685322
∇ 50x50	∇ 50	685332

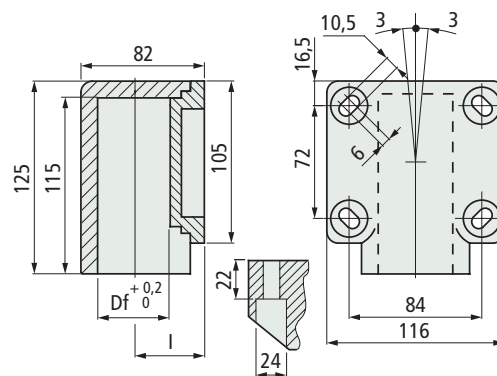
- Material : bracket in reinforced polyamide PA FV (black). Bolts in austenitic stainless steel.
- Weight : 0,75 Kg.
- Max recommended tightening torque : 2 Kgm.
- Packaging : 12 pieces.

## Part. S0709



For round and square tubes

## Side mounting top bracket



Tube dimensions mm	Bore Df mm	l mm	Code
Ø 48,3 (1 1/2'')	Ø 48,3	46	50451
∇ 40x40	∇ 40	50	611672

- Material : reinforced polyamide PA FV (black).
- Weight : 0,42 Kg.
- Max recommended tightening torque : 2,5 Kgm.
- Packaging : 8 pieces.

## Part. S0168



For round and square tubes

● Best choice

● Standard

● On request : minimum quantity may apply. Consult our Customer Service for availability.

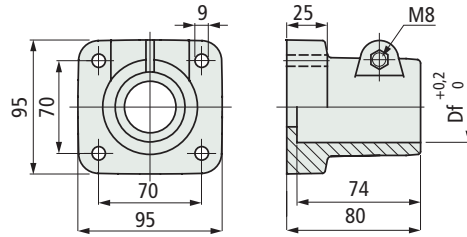
Item code for order = Part. + Code

Part. S0198



For round and square tubes

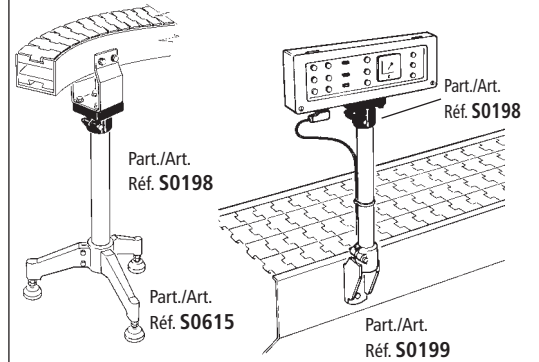
Bearing head



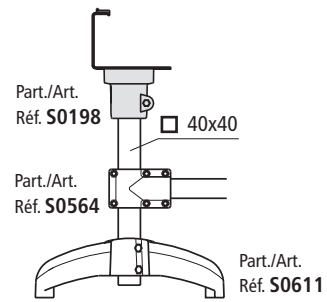
Tube dia. mm	Bore dia. Df mm	Bolts material	Code
Ø 48,3 (1 1/2")	Ø 48,3	Austenitic stainless steel	59161
Ø 50,8	Ø 50,8	Austenitic stainless steel	664761
∇ 38x38	∇ 38	Austenitic stainless steel	611602
		Zinc plated steel	611682
∇ 40x40	∇ 40	Austenitic stainless steel	611612
		Zinc plated steel	611692

- Material : reinforced polyamide PA FV (black).
- Weight : 0,30 Kg.
- Max recommended tightening torque : 2 Kgm.
- Packaging : 24 pieces.

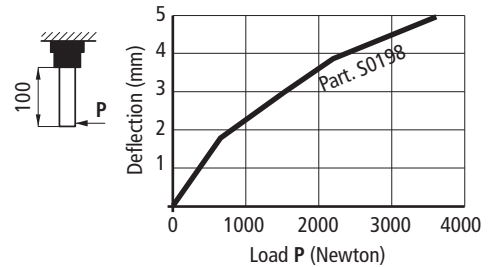
Assembly of Part. S0198 (with round tubes)



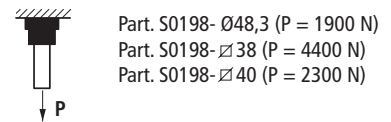
Assembly of Part. S0198 (with square tubes)



Deflection of Part. S0198



Sliding load resistance



Tests performed at tightening torque : 2 Kgm

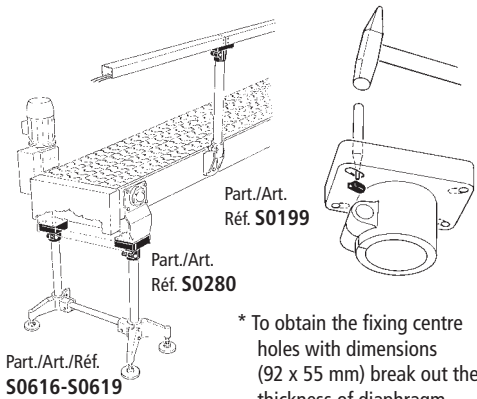
Best choice

Standard

On request : minimum quantity may apply. Consult our Customer Service for availability.

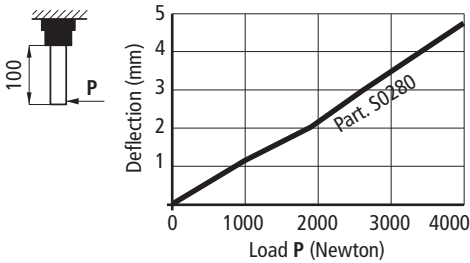
Item code for order = Part. + Code

• Assembly of Part. S0280

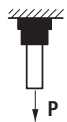


\* To obtain the fixing centre holes with dimensions (92 x 55 mm) break out the thickness of diaphragm.

• Deflection of Part. S0280



• Sliding load resistance

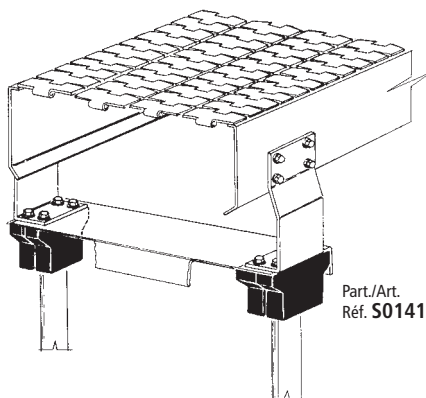


Part. S0280 (P = 1900 N)  
Part. S0141 (P = 5800 N)

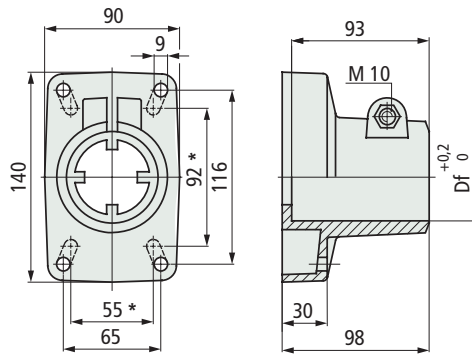
Tests performed at tightening torque :

- 3,5 Kgm (for Part. S0280)
- 1 Kgm (for Part. S0141)

• Assembly of Part. S0141



■ Bearing head



Tube dia. mm	Bore dia. Df mm	Code
Ø 48,3 (1 1/2")	48,3	63503
Ø 50,8	50,8	664781
Ø 60,3 (2")	60,3	66781

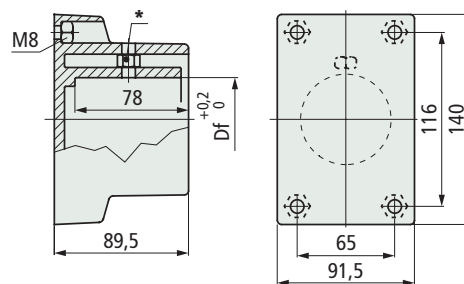
- Material : head in reinforced polyamide PA FV (black).
- Bolts material : austenitic stainless steel.
- Weight : 0,40 Kg.
- Max recommended tightening torque : 3,5 Kgm.
- Packaging : 8 pieces.

## Part. S0280



For round tubes

■ Bearing head



\*= M8 seat set screw for tube locking

Tube dia. mm	Bore dia. Df mm	Code
Ø 60,3 (2")	60,3	65660

- Material : head in reinforced polyamide PA FV (black). Fixing nuts in zinc plated steel.
- State of supply : without tube tightening screws.
- Weight : 0,53 Kg.
- Max recommended tightening torque : 1 Kgm.
- Packaging : 8 pieces.

## Part. S0141



For round tubes

Product available until selling out

- **Best choice**
- **Standard**
- **On request** : minimum quantity may apply. Consult our Customer Service for availability.

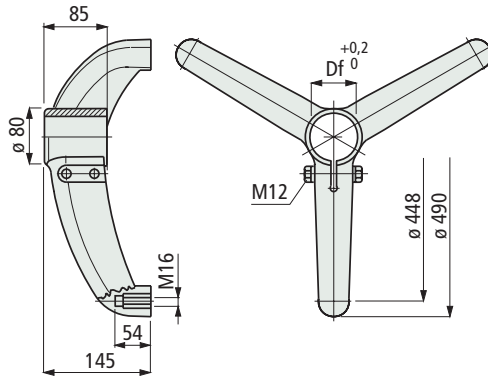
Item code for order = Part. + Code

Part. **S0615**



For round tubes

■ Support base (tripod)



Tube dia. mm      Bore dia. Df mm

Code

**Bolts in austenitic stainless steel**

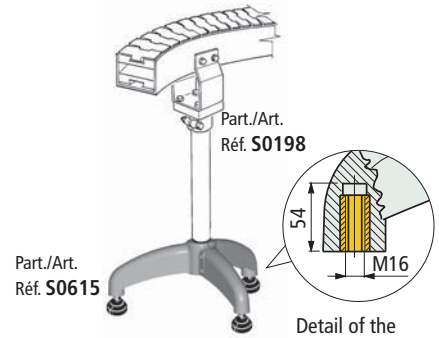
38,1	38,1	624242
42,4 (1" 1/4)	42,4	624252
48,3 (1" 1/2)	48,3	624262
50,8	50,8	624272
60,3 (2")	60,3	621522

**Bolts in zinc plated steel**

38,1	38,1	638742
42,4 (1" 1/4)	42,4	638752
48,3 (1" 1/2)	48,3	638762
50,8	50,8	638772
60,3 (2")	60,3	638782

- Material : support base in reinforced polyamide PA FV (black), brass threaded bushings.
- Weight : 1,45 Kg.
- Max recommended tightening torque : 3,6 Kgm.
- Packaging : 8 pieces.

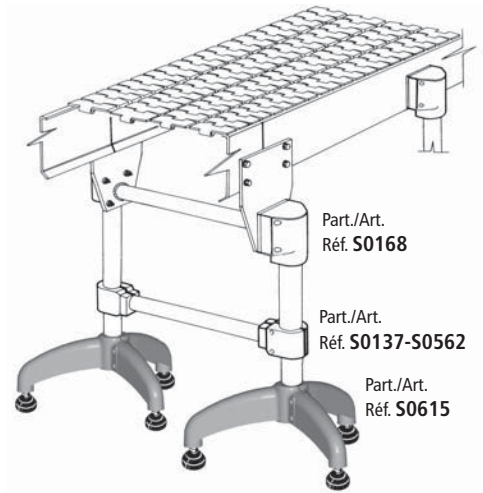
• Assembly of Part. S0615



Part./Art. Réf. S0615

Part./Art. Réf. S0198

Detail of the insert for the levelers

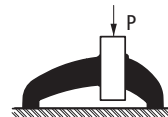


Part./Art. Réf. S0168

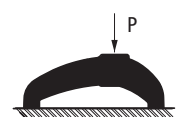
Part./Art. Réf. S0137-S0562

Part./Art. Réf. S0615

• Sliding load resistance • Max applicable load



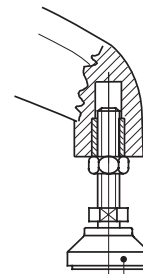
P = 8000 N



P = 10000 N

Tests performed at tightening torque : 3,6 Kgm

• Types of levelers that can be used



Part. 98-133-323

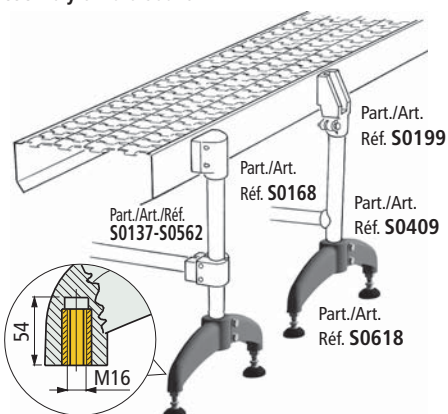
● Best choice

● Standard

● On request : minimum quantity may apply. Consult our Customer Service for availability.

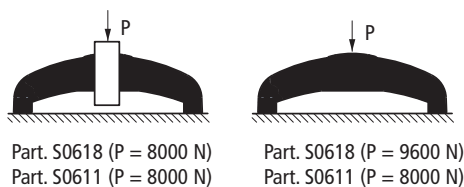
Item code for order = Part. + Code

### • Assembly of Part. S0618



Detail of the insert for the levelers.

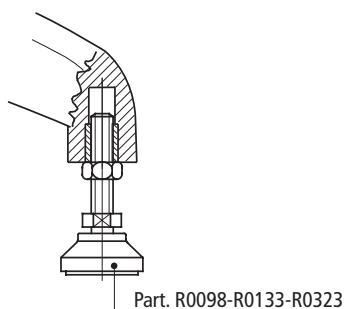
### • Sliding load resistance • Max applicable load



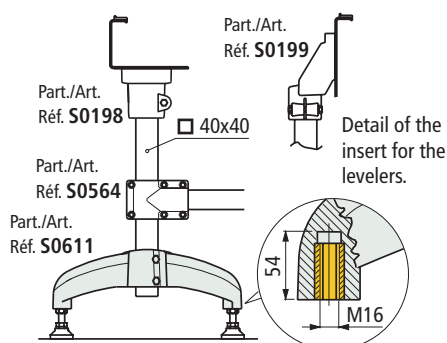
Part. S0618 (P = 8000 N)  
Part. S0611 (P = 8000 N)

Tests performed at tightening torque :  
3,6 Kgm (Part. S0618), 2,5 Kgm (Part. S0611)

### • Types of levelers that can be used



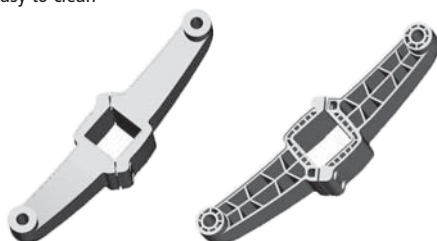
### • Assembly of Part. S0611



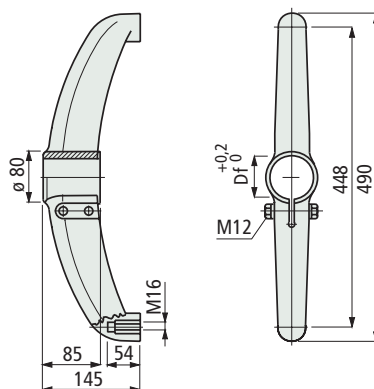
### • Part. S0611 available versions

**Closed version**  
Easy to clean

**Open version**



### ■ Support base (bipod)



Tube dia. mm	Bore dia. Df mm	Code
--------------	-----------------	------

#### Bolts in austenitic stainless steel

38,1	38,1	624282
42,4 (1" 1/4)	42,4	624292
48,3 (1" 1/2)	48,3	624302
50,8	50,8	624312
60,3 (2")	60,3	624322

#### Bolts in zinc plated steel

38,1	38,1	638792
42,4 (1" 1/4)	42,4	638802
48,3 (1" 1/2)	48,3	638812
50,8	50,8	638822
60,3 (2")	60,3	638832

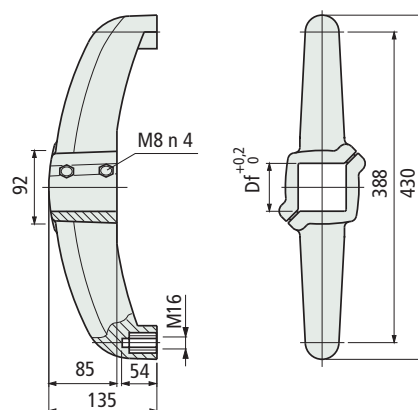
- Material : support base in reinforced polyamide PA FV (black), brass threaded bushings.
- Weight : 1,05 Kg.
- Max recommended tightening torque : 3,6 Kgm.
- Packaging : 12 pieces.

## Part. S0618



For round tubes

### ■ Support base (bipod)



Tube dimensions mm	Bore Df mm	Code	
		Closed version	Open version
40x40	40	615542	616082
50x50	50	615552	616092
60x60	60	615562	616102

- Material : support base in reinforced polyamide PA FV (black), bolts in austenitic stainless steel, tightening bushes in nickel plated brass, brass threaded bushings.
- Max recommended tightening torque : 2,5 Kgm.
- Weight : 0,9 Kg.
- Packaging : 10 pieces (20 half bases).

## Part. S0611



For square tubes

**Best choice**

**Standard**

**On request** : minimum quantity may apply. Consult our Customer Service for availability.

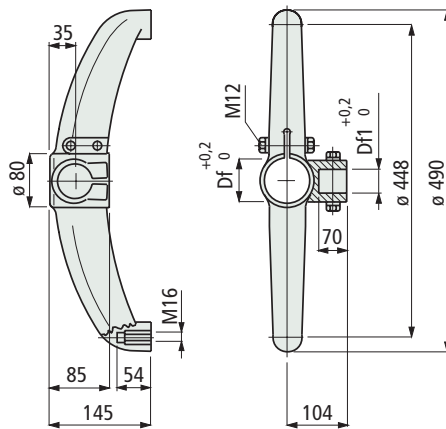
Item code for order = Part. + Code

Part. S0619



For round tubes

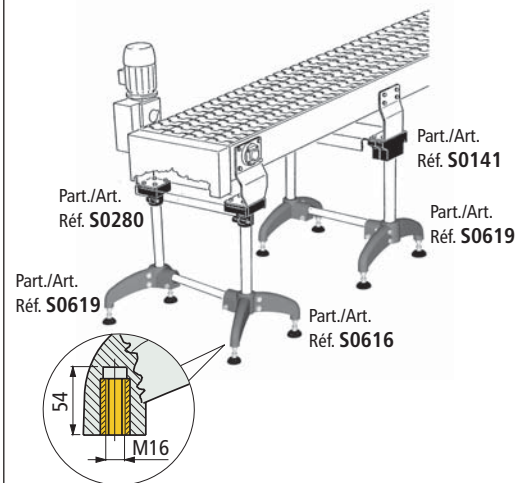
Support base (bipod)



Vertical tube dia. mm	Horizontal tube dia. mm	Bore dia. Df mm	Bore dia. Df1 mm	Code
<b>Bolts in austenitic stainless steel</b>				
42,4 (1" 1/4)	42,4 (1" 1/4)	42,4	42,4	624352
48,3 (1" 1/2)	42,4 (1" 1/4)	48,3	42,4	624372
48,3 (1" 1/2)	48,3 (1" 1/2)	48,3	48,3	692052
50,8	42,4 (1" 1/4)	50,8	42,4	624402
60,3 (2")	42,4 (1" 1/4)	60,3	42,4	624432
<b>Bolts in zinc plated steel</b>				
42,4 (1" 1/4)	42,4 (1" 1/4)	42,4	42,4	638842
48,3 (1" 1/2)	42,4 (1" 1/4)	48,3	42,4	638852
48,3 (1" 1/2)	48,3 (1" 1/2)	48,3	48,3	600213
50,8	42,4 (1" 1/4)	50,8	42,4	638862
60,3 (2")	42,4 (1" 1/4)	60,3	42,4	638872

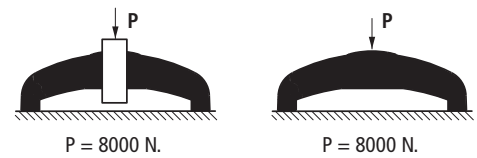
- Material : support base in reinforced polyamide PA FV (black), brass threaded bushings.
- Weight : 1,05 Kg.
- Max recommended tightening torque : 3,6 Kgm.
- Packaging : 12 pieces.

Assembly of Part. S0619

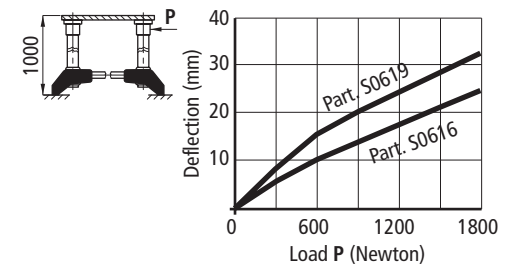


Detail of the insert for the levelers.

Sliding load resistance • Max applicable load

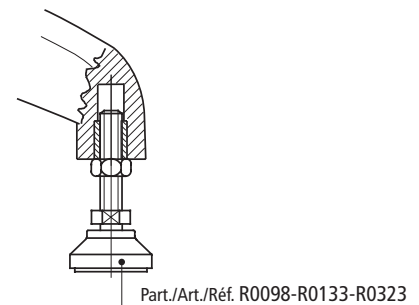


Deflection



Tests performed at tightening torque : 3,6 Kgm

Types of levelers that can be used



Best choice

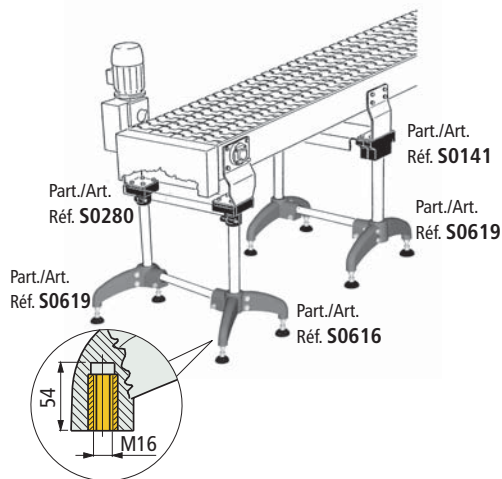
Standard

On request : minimum quantity may apply. Consult our Customer Service for availability.

Item code for order = Part. + Code

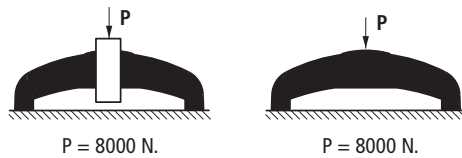


### • Assembly of Part. S0616



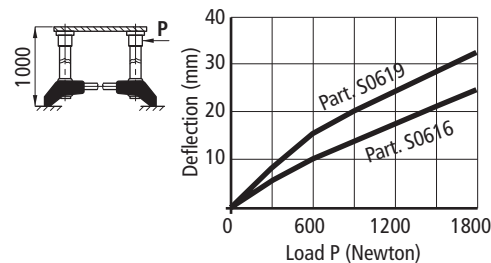
Detail of the insert for the levelers

### • Sliding load resistance • Max applicable load



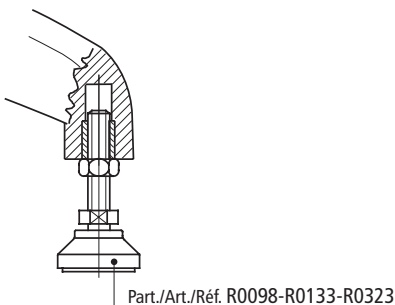
### • Deflection

Part. S0616 offers a better rigidity than Part. S0619

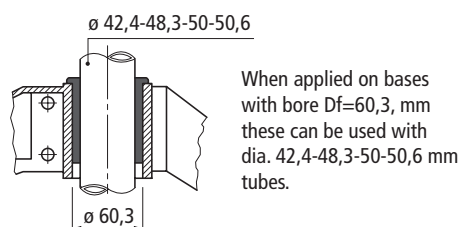


Tests performed at tightening torque : 3,6 Kgm

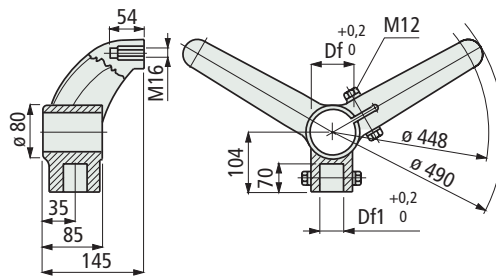
### • Types of levelers that can be used



### • Assembly of Part. S0124



### ■ Support base (bipod)

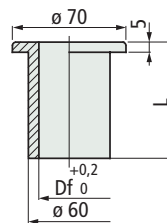


Vertical tube dia. mm	Horizontal tube dia. mm	Bore dia. Df mm	Bore dia. Df1 mm	Code
42,4 (1" 1/4)	42,4 (1" 1/4)	42,4	42,4	624472
48,3 (1" 1/2)	42,4 (1" 1/4)	48,3	42,4	624492
48,3 (1" 1/2)	48,3 (1" 1/2)	48,3	48,3	611203
50,8	42,4 (1" 1/4)	50,8	42,4	624522
60,3 (2")	42,4 (1" 1/4)	60,3	42,4	624552

Bolts in austenitic stainless steel				
42,4 (1" 1/4)	42,4 (1" 1/4)	42,4	42,4	638882
48,3 (1" 1/2)	42,4 (1" 1/4)	48,3	42,4	638892
48,3 (1" 1/2)	48,3 (1" 1/2)	48,3	48,3	611213
50,8	42,4 (1" 1/4)	50,8	42,4	638902
60,3 (2")	42,4 (1" 1/4)	60,3	42,4	638912

- Material : support base in reinforced polyamide PA FV (black), brass threaded bushings.
- Weight : 1,05 Kg.
- Max recommended tightening torque : 3,6 Kgm.
- Packaging : 12 pieces.

### ■ Reduction bushing



Tube dia. mm	Bore dia. Df mm	L mm	Code	Weight Kg
42,4 (1" 1/4)	42,4	85	61980	0,10
48,3 (1" 1/2)	48,3	50	692711	
		85	61970	
50	50	85	51361	
50,8	50,8	85	61770	

- Material : polyamide PA (black).
- Packaging : 10 pieces.

## Part. S0616



For round tubes

## Part. S0124



- **Best choice**
- **Standard**
- **On request** : minimum quantity may apply. Consult our Customer Service for availability.

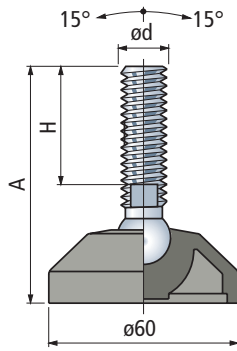
Item code for order = Part. + Code

for Part. S0615 - S0618 - S0611 - S0619 - S0616

Part. **R0098**

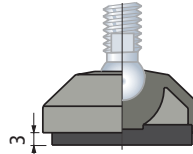


Articulated feet



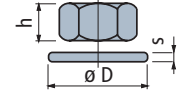
Accessories

Anti-slip



- Code : 630022.
- Material : NBR rubber (black), 70 Shore.
- Assembly : press-fit.
- Packaging : 24 pieces.

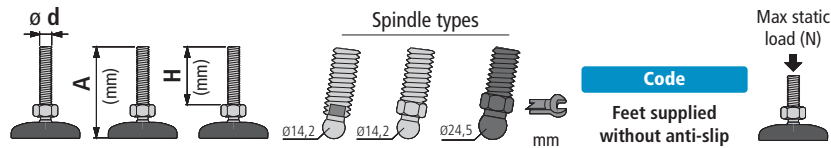
Nut + Washer



Code

	Austenitic stainless steel	Zinc plated steel	h		$\varnothing D$	s
	mm	mm	mm	mm	mm	mm
M16	630212	630142	13	24	30	3

Packaging : 8 pieces.



Spindle in austenitic stainless steel

M 16	100	64	1a	-	-	13	626012	10000
	115	81	1a	-	-	13	626022	
	160	124	1a	-	-	13	626032	

Spindle in zinc plated steel

M 16	95	61	1a	-	-	13	626102	10000
	100	68	-	2b	-	16	674171	
	125	89	-	2b	-	16	685741	
	130	96	1a	-	-	13	626112	
	150	116	1a	-	-	13	626122	

Spindle in reinforced polyamide (black) with steel pin

M 16	100	54	-	-	3	24	61920	6000
------	-----	----	---	---	---	----	-------	------

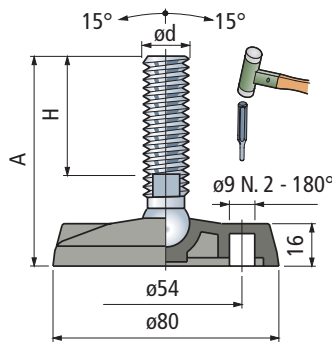
- Use : in combination with support bases Part. S0615-S0618-S0611-S0619-S0616.
- Footplate material : reinforced polyamide PA FV (black).
- Packaging : 24 pieces.
- Anti-slip supplied separately.

Part. **R0323**



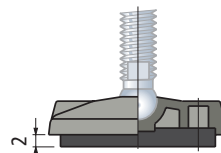
Articulated feet

Fixing holes, obtainable by breaking "diaphragm".



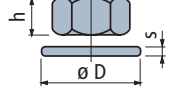
Accessories

Anti-slip



- Code : 630042.
- Material : NBR rubber (black), 70 Shore.
- Assembly : press-fit.
- Packaging : 24 pieces.

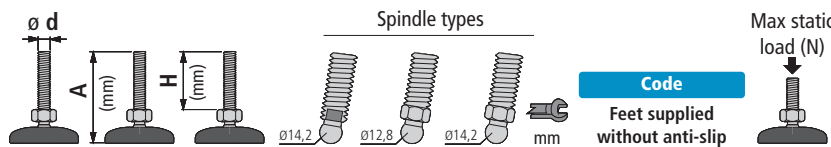
Nut + Washer



Code

	Austenitic stainless steel	Zinc plated steel	h		$\varnothing D$	s
	mm	mm	mm	mm	mm	mm
M16	630212	630142	13	24	30	3

Packaging : 8 pieces.



Spindle in austenitic stainless steel

M 16	95	1a	1a	-	-	13	626582	10000
	100	-	-	2a	-	-	16	
	110	1a	1a	-	-	13	626592	
	155	1a	1a	-	-	13	626602	

Spindle in zinc plated steel

M 16	95	68	-	-	2b	16	62353N	10000
	115	89	-	-	2b	16	686001N	
	125	96	1a	-	-	13	626682	
	145	116	1a	-	-	13	626692	
	150	124	-	-	2b	16	69935N	

- Use : in combination with support bases Part. S0615-S0618-S0611-S0619-S0616.
- Footplate material : reinforced polyamide PA FV (black).
- Packaging : 24 pieces.
- Anti-slip supplied separately.

Best choice

Standard

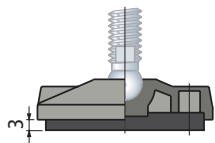
On request : minimum quantity may apply. Consult our Customer Service for availability.

Item code for order = Part. + Code

# Articulated Feet

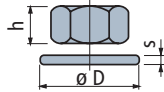
for Part. S0615 - S0618 - S0611 - S0619 - S0616

**• Accessories**  
**Anti-slip**



- Code : 630052.
- Material : NBR rubber (black), 70 Shore.
- Assembly : press-fit.
- Packaging : 24 pieces.

**Nut + Washer**



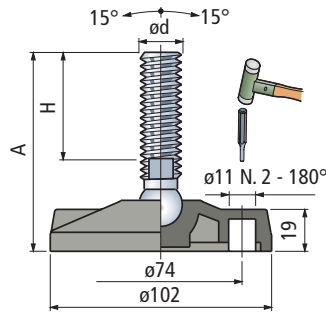
**Code**

	Austenitic stainless steel	Zinc plated steel	h mm	ØD mm	s mm
M16	630212	630142	13	24	30

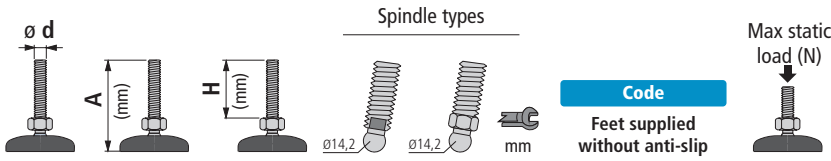
Packaging : 8 pieces.

**■ Articulated feet**

Fixing holes, obtainable by breaking "diaphragm".



**Part. R0133**



Spindle in austenitic stainless steel						Code	Feet supplied without anti-slip	Max static load (N)
M 16	100	64	1a	-	13			
	115	81	1a	-	13	633212	12000	
	160	124	1a	-	13	633222		
Spindle in zinc plated steel								
	95	61	1a	-	13	633292	12000	
	100	68	-	2b	16	679711N		
M 16	125	89	-	2b	16	686421N		
	130	96	1a	-	13	633302		
	150	116	1a	-	13	633312		

- Use : in combination with support bases Part. S0615-S0618-S0611-S0619-S0616.
- Footplate material : reinforced polyamide PA FV (black).
- Packaging : 24 pieces.
- Anti-slip supplied separately.

- **Best choice**
- **Standard**
- **On request** : minimum quantity may apply. Consult our Customer Service for availability.

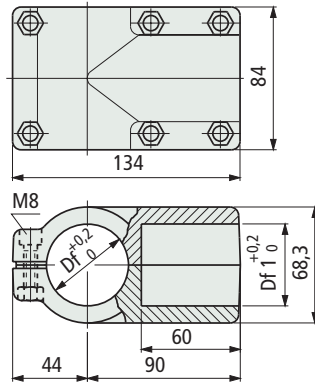
Item code for order = Part. + Code

Part. **S0562**



For round tubes

■ Connecting joint



Vertical tube dia. mm	Horizontal tube dia. mm	Bore dia. Df mm	Bore dia. Df1 mm	Code
33,7 (1")	33,7 (1")	33,7	33,7	697831
38,1	33,7 (1")	38,1	33,7	605852
	38,1	38,1	38,1	697841
42,4 (1 1/4)	33,7 (1")	42,4	33,7	607092
	33,7 (1")	48,3	33,7	605862
48,3 (1 1/2)	38,1	48,3	38,1	697851
	42,4 (1 1/4)	48,3	42,4	607102
	48,3 (1 1/2)	48,3	48,3	697861

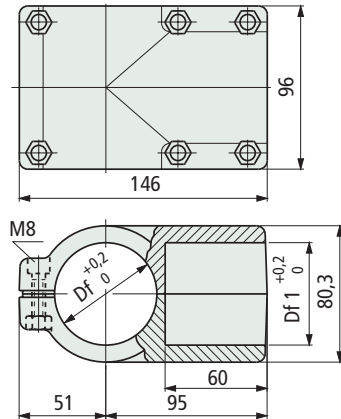
- Material : joint in reinforced polyamide PA FV (black). Tightening screws in austenitic stainless steel, nuts in nickel plated brass.
- Weight : 0,4 Kg.
- Max recommended tightening torque : 1,5 Kgm.
- Packaging : 8 pieces.

Part. **S0563**



For round tubes

■ Connecting joint

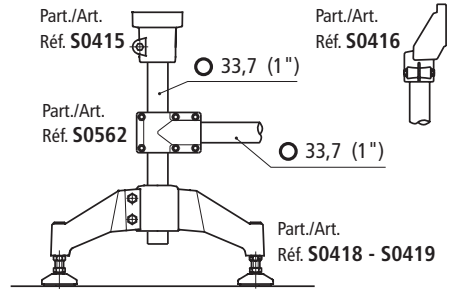


Vertical tube dia. mm	Horizontal tube dia. mm	Bore dia. Df mm	Bore dia. Df1 mm	Code
50,8	33,7 (1")	50,8	33,7	697871
	42,4 (1 1/4)	50,8	42,4	605892
	48,3 (1 1/2)	50,8	48,3	605872
	50,8	50,8	50,8	669512
60,3 (2")	33,7 (1")	60,3	33,7	605882
	42,4 (1 1/4)	60,3	42,4	605562
	48,3 (1 1/2)	60,3	48,3	697881
	60,3 (2")	60,3	60,3	697891

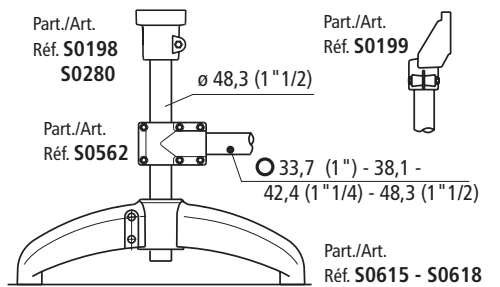
- Material : joint in reinforced polyamide PA FV (black). Tightening screws in austenitic stainless steel, nuts in nickel plated brass.
- Weight : 0,5 Kg.
- Max recommended tightening torque : 1,5 Kgm.
- Packaging : 8 pieces.

• Assembly of Part. S0562

Example of assembly with vertical tubes ø 33,7 mm

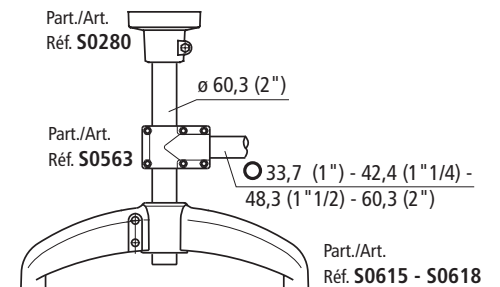


Example of assembly with vertical tubes ø 48,3 mm

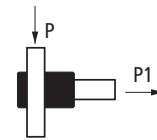


• Assembly of Part. S0563

Example of assembly with vertical tubes ø 60,3 mm



• Sliding load resistance



Part. S0562 (P = 2000 N) - (P1 = 3500 N)  
Part. S0563 (P = 1500 N) - (P1 = 3000 N)

Tests performed at tightening torque : 1,5 Kgm

● Best choice

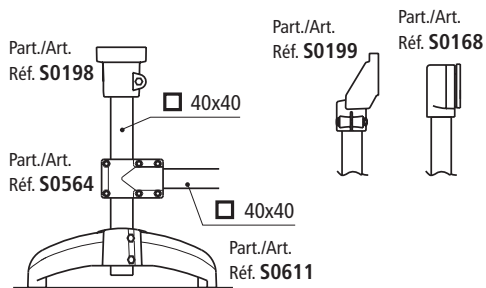
● Standard

● On request : minimum quantity may apply. Consult our Customer Service for availability.

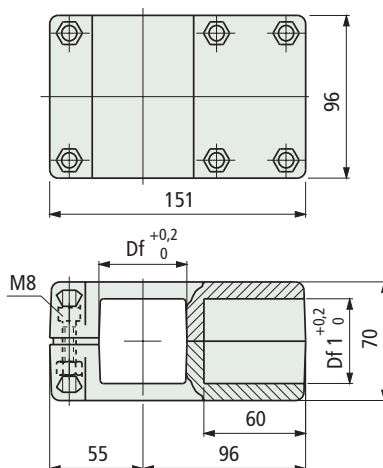
Item code for order = Part. + Code

• Assembly of Part. S0564

Example of assembly with vertical tubes  $\nabla$  40 mm



■ Connecting joint



## Part. S0564



For square tubes

Tube dimensions mm	Bore Df mm	Bore Df1 mm	Code
$\nabla$ 38x38	$\nabla$ 38	$\nabla$ 38	698531
$\nabla$ 40x40	$\nabla$ 40	$\nabla$ 40	698541
$\nabla$ 45 x45	$\nabla$ 45	$\nabla$ 45	607112
$\nabla$ 50x50	$\nabla$ 50	$\nabla$ 50	698551

- Material : joint in reinforced polyamide PA FV (black). Tightening screws in austenitic stainless steel, nuts in nickel plated brass.
- Weight : 0,5 Kg.
- Max recommended tightening torque : 1,5 Kgm.
- Packaging : 8 pieces.

- **Best choice**
- **Standard**
- **On request** : minimum quantity may apply. Consult our Customer Service for availability.

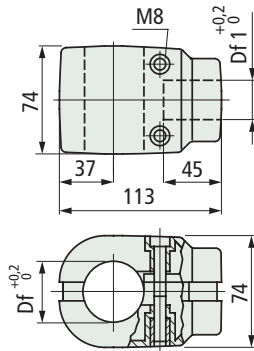
Item code for order = Part. + Code

## Part. S0454



For round tubes

### Connecting joint



Vertical tube dia. mm	Horizontal tube dia. mm	Bore dia. Df mm	Bore dia. Df1 mm	Code
Ø 42,4 (1" 1/4)	Ø 33,7 (1")	42,4	33,7	69378

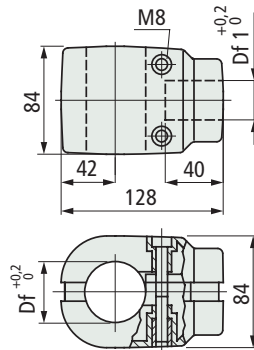
- Material : joint in reinforced polyamide PA FV (black). Tightening bolts in austenitic stainless steel.
- Weight : 0,36 Kg.
- Max recommended tightening torque : 2 Kgm.
- Packaging : 12 pieces.

## Part. S0137



For round tubes

### Connecting joint



Vertical tube dia. mm	Horizontal tube dia. mm	Bore dia. Df mm	Bore dia. Df1 mm	Code
Ø 48,3 (1" 1/2)	Ø 42,4 (1" 1/4)	48,3	42,4	66813
Ø 60,3 (2")	Ø 42,4 (1" 1/4)	60,3	42,4	65020

- Material : joint in reinforced polyamide PA FV (black). Tightening screws in austenitic stainless steel, tightening bushes in nickel plated brass.
- Weight : 0,44 Kg.
- Max recommended tightening torque : 1 Kgm.
- Packaging : 8 pieces.

● Best choice

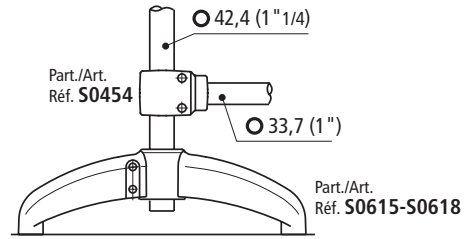
● Standard

● On request : minimum quantity may apply. Consult our Customer Service for availability.

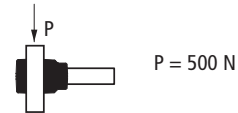
Item code for order = Part. + Code

### Assembly of Part. S0454

Example of assembly with vertical tubes Ø 42,4 mm



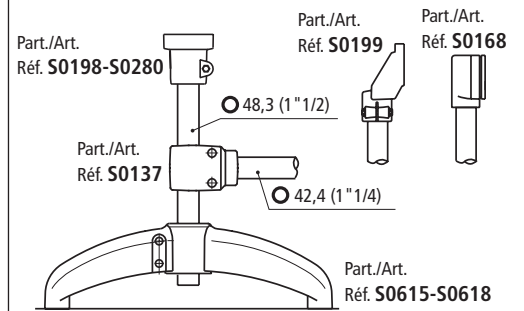
### Sliding load resistance



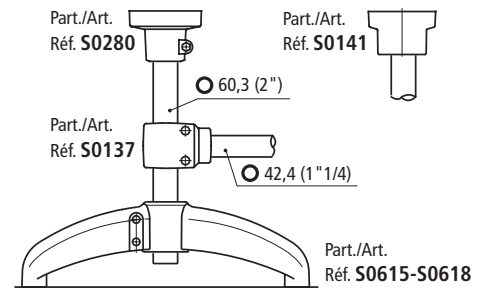
Tests performed at tightening torque : 2 Kgm

### Assembly of Part. S0137

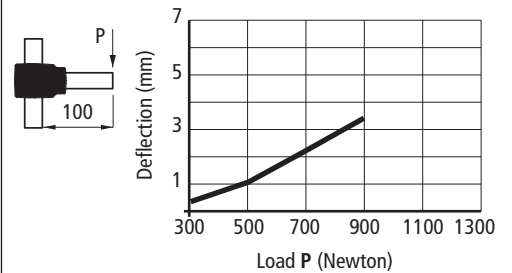
Example of assembly with vertical tubes Ø 48,3 mm



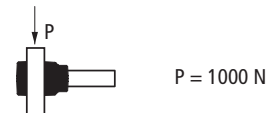
Example of assembly with vertical tubes Ø 60,3 mm



### Deflection

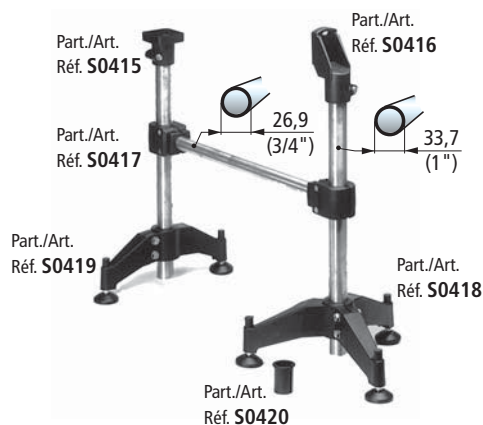


### Sliding load resistance

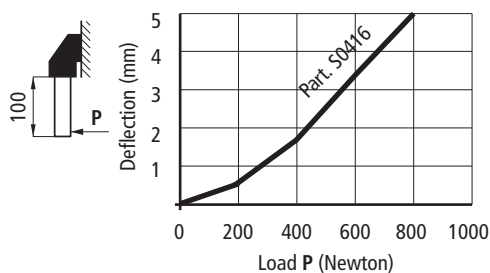


Tests performed at tightening torque : 1 Kgm

### • Assembly of Part. S0416 - S0415



### • Deflection of Part. S0416



### • Sliding load



Part. S0416 (P = 3300 N)

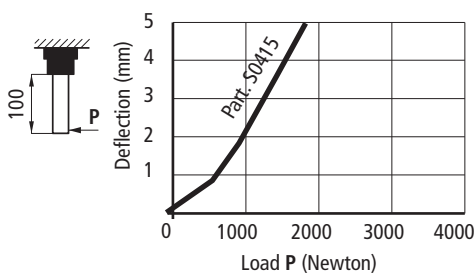
### • Breaking load



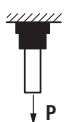
Part. S0416 (P = 21900 N)

Tests performed at tightening torque : 2 Kgm

### • Deflection of Part. S0415



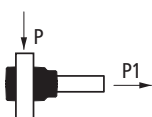
### • Sliding load resistance



Part. S0415 (P = 1500 N)

Tests performed at tightening torque : 2 Kgm

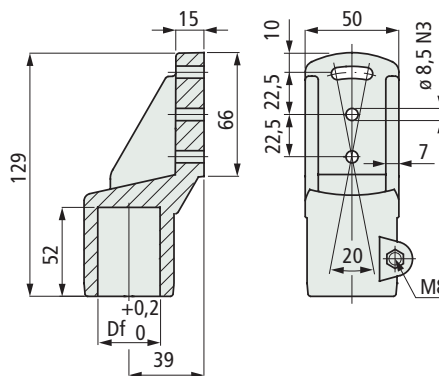
### • Sliding load resistance



Part. S0415 (P = 500 N)  
(P1 = 800 N)

Tests performed at tightening torque : 2 Kgm

### ■ Side mounting top bracket



Tube dia. mm	Bore dia. Df mm	Bolts material	Code
Ø 33,7 (1")	33,7	Austenitic stainless steel	69668

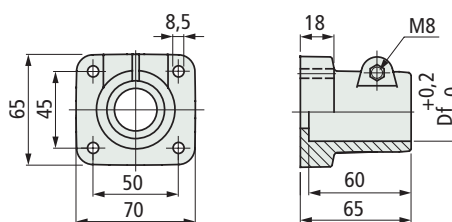
- Material : reinforced polyamide PA FV (black).
- Weight : 0,15 Kg.
- Max recommended tightening torque : 2 Kgm.
- Packaging : 24 pieces.

## Part. S0416



For round tubes

### ■ Bearing head



Tube dia. mm	Bore dia. Df mm	Bolts material	Code
Ø 33,7 (1")	33,7	Austenitic stainless steel	69658

- Material : reinforced polyamide PA FV (black).
- Weight : 0,12 Kg.
- Max recommended tightening torque : 2 Kgm.
- Packaging : 24 pieces.

## Part. S0415



For round tubes

● **Best choice**

● **Standard**

● **On request** : minimum quantity may apply. Consult our Customer Service for availability.

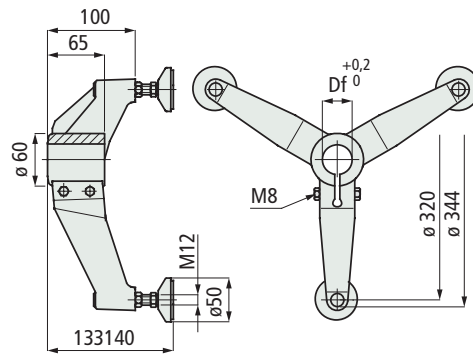
Item code for order = Part. + Code

Part. **S0418**



For round tubes

Support base (tripod)



Tube dia. mm	Bore dia. Df mm	Bolts material	Code
Ø 33,7 (1")	33,7	Austenitic stainless steel	614201

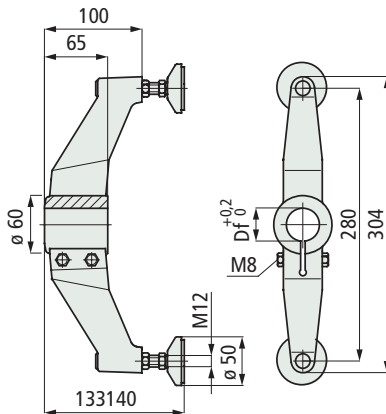
- Material : support base and foot plate in reinforced polyamide PA FV (black). Spindle in austenitic stainless steel. Protective spindle cap in polyamide PA (black). Nickel plated brass threaded bushings. Anti-slip disc in black NBR rubber (70 shore).
- Weight : 0,81 Kg.
- Max recommended tightening torque : 2 Kgm.
- Packaging : 8 pieces.

Part. **S0419**



For round tubes

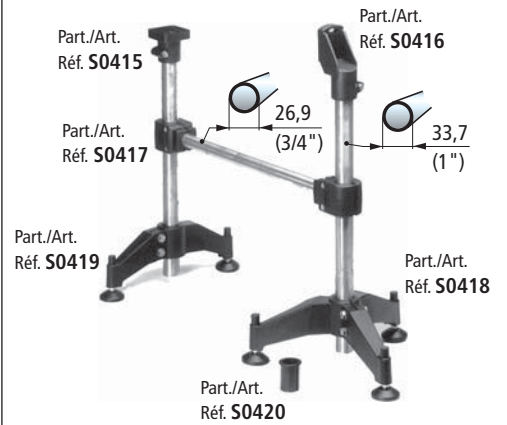
Support base (bipod)



Tube dia. mm	Bore dia. Df mm	Bolts material	Code
Ø 33,7 (1")	33,7	Austenitic stainless steel	614211

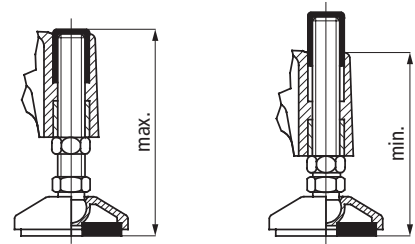
- Material : support base and foot plate in reinforced polyamide PA FV (black). Protective spindle cap in polyamide PA (black). Spindle in austenitic stainless steel. Nickel plated brass threaded bushings. Anti-slip disc in black NBR rubber (70 shore).
- Weight : 0,57 Kg.
- Max recommended tightening torque : 2 Kgm.
- Packaging : 12 pieces.

Assembly of Part. S0418 - S0419

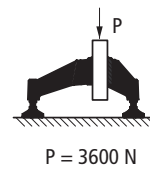


Protective cap

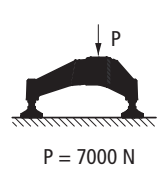
prevents entry of dirt and protects thread. During adjustment of the foot, the protective cap follows the movement of the spindle.



Sliding load resistance Part. S0418

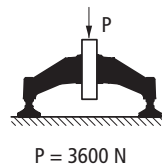


Max applicable load Part. S0418

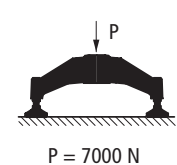


Tests performed at tightening torque : 2 Kgm

Sliding load resistance Part. S0419



Max applicable load Part. S0419



Tests performed at tightening torque : 2 Kgm

● Best choice

● Standard

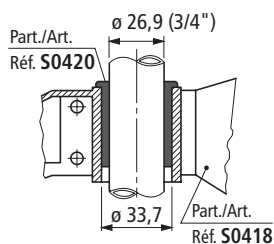
● On request : minimum quantity may apply. Consult our Customer Service for availability.

Item code for order = Part. + Code

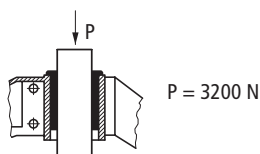


### • Assembly of Part. S0420

When applied on Part. S0418 this can be used with dia. 26,9 mm tubes (3/4" pipes).

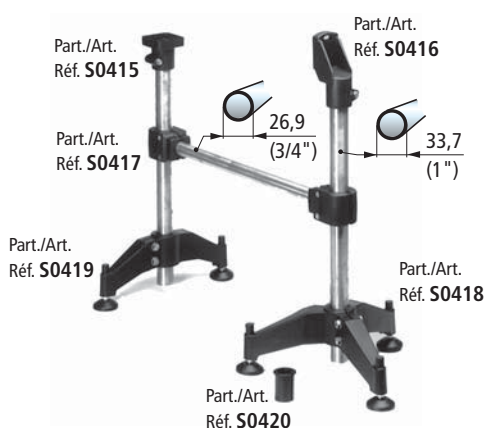


### • Sliding load resistance

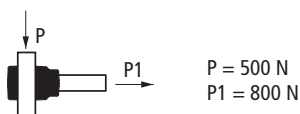


Tests performed at tightening torque : 2 Kgm

### • Assembly of Part. S0417

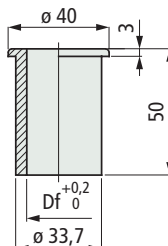


### • Sliding load resistance



Tests performed at tightening torque : 2 Kgm

### ■ Reduction bushing



Tube dia. mm	Bore dia. Df mm	Code	Weight Kg
Ø 26,9 (3/4")	26,9	63108	0,02

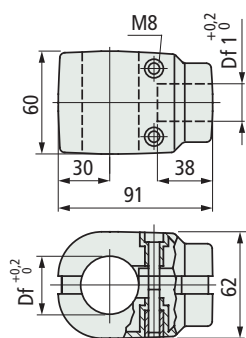
- Material : polyamide PA (black).
- Packaging : 24 pieces.

## Part. S0420



Product available until selling out

### ■ Connecting joint



Vertical tube dia. mm	Horizontal tube dia. mm	Bore dia. Df mm	Bore dia. Df1 mm	Code
Ø 33,7 (1")	Ø 26,9 (3/4")	33,7	26,9	69368

- Material : joint in reinforced polyamide PA FV (black). Tightening bolts in austenitic stainless steel.
- Weight : 0,21 Kg.
- Max recommended tightening torque : 2 Kgm.
- Packaging : 24 pieces.

## Part. S0417



For round tubes

- **Best choice**
- **Standard**
- **On request** : minimum quantity may apply. Consult our Customer Service for availability.

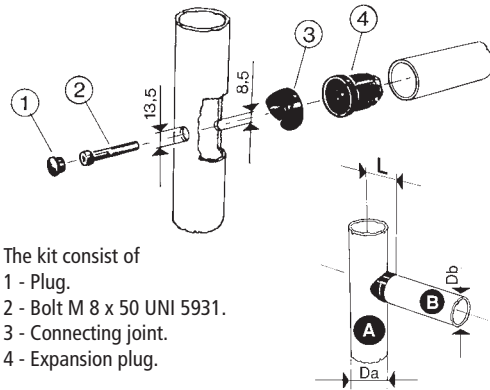
Item code for order = Part. + Code

## Part. S0409



Product available until selling out

### Connecting joint



The kit consist of  
 1 - Plug.  
 2 - Bolt M 8 x 50 UNI 5931.  
 3 - Connecting joint.  
 4 - Expansion plug.

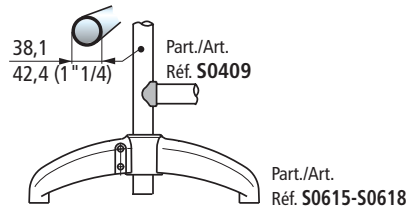
Tube A dia. 1) Da mm	Tube B dia. Db mm	Tube B Thickness mm	Code	L mm
Ø 38	Ø 38	1,5	63277	31
Ø 42,4 (1" 1/4)	Ø 38	1,5	63287	33,2
	Ø 42,4 (1" 1/4)	1,5	63337	
Ø 48,3 (1" 1/2)	Ø 38	1,5	63297	36,2
	Ø 42,4 (1" 1/4)	1,5	63347	
Ø 60,3 (2")	Ø 42,4 (1" 1/4)	1,5	63357	42,2

1) = Various dimensions

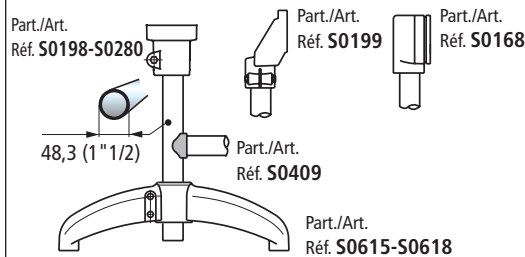
- Material : Plug in PVC (black). Bolt in austenitic stainless steel. Connecting joint in reinforced polyamide PA FV (black). Expansion plug : body in reinforced polyamide PA FV (black), cone in brass.
- Weight : 0,29 Kg.
- Max recommended tightening torque : 2,5 Kgm.
- Packaging : 50 Kit.

### Assembly of Part. S0409

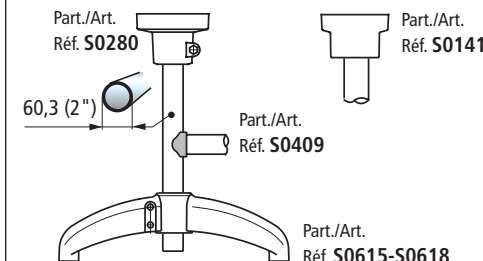
Example of assembly with vertical tubes Ø 38,1 and 42,4 mm



Example of assembly with vertical tubes Ø 48,3 mm



Example of assembly with vertical tubes Ø 60,3 mm



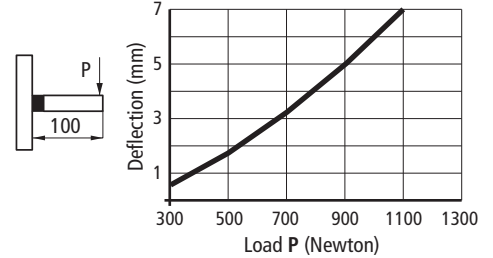
- **Best choice**
- **Standard**
- **On request** : minimum quantity may apply. Consult our Customer Service for availability.

Item code for order = Part. + Code

### Characteristics

High sanification. Allows connection joints at any angle.

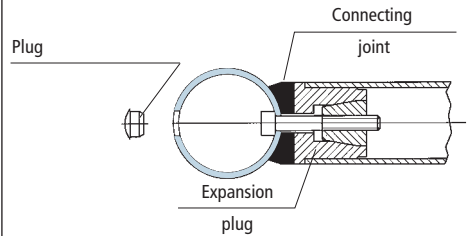
### Deflection



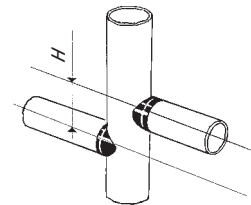
Tests performed at tightening torque : 2,5 Kgm

### Assembly

When the screw is tightened the plug expands and locks axially with the tube.

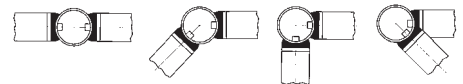


### Offset tube joints

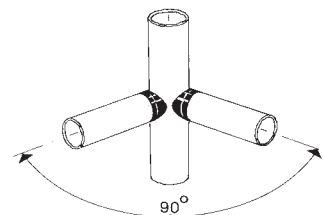


Minimum offset value  
 H min = 47 (for code : 63357 - 63347 - 63337)  
 H min = 43 (for code : 63297 - 63287 - 63277)

Connections can be made at any angle. Offsetting the connections allow entry of the bolt and wrench.



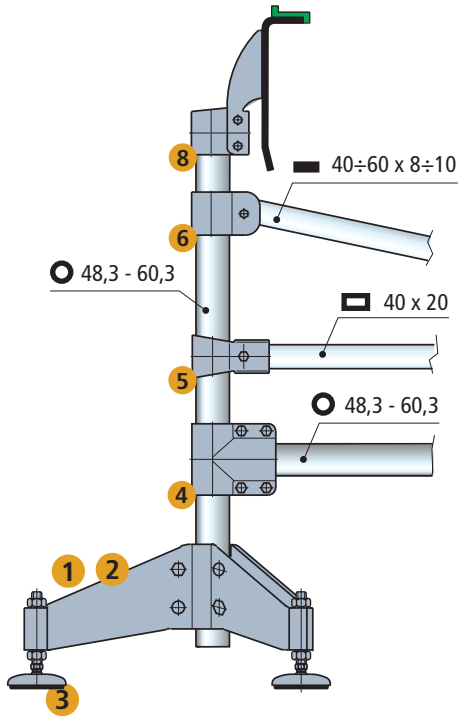
### Coaxial tube joints



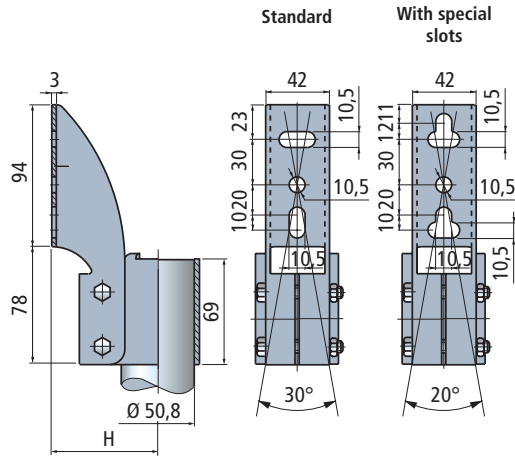
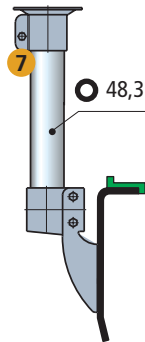
With more than one Ø 60,3 x 42,4 tube (code 63357) at the same point, only 90 joints can be made.

## Part. S0685

### Side mounting top brackets



- 1 - Part. S0706
- 2 - Part. S0707
- 3 - Part. S0623-S0627
- 4 - Part. S0686
- 5 - Part. S0688
- 6 - Part. S0689
- 7 - Part. S0690
- 8 - Part. S0685



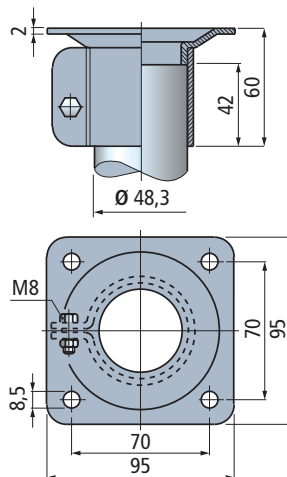
Tube dia. mm	Code	Code	H mm	Weight kg
	Standard	With special slots		
48,3 (1" 1/2)	684502	610223	72	0,70
50,8	605143	610233	73	0,75
60,3 (2")	696122	610243	80	0,80

- Material : top bracket and bolts in austenitic stainless steel.
- Packaging : 4 pieces.



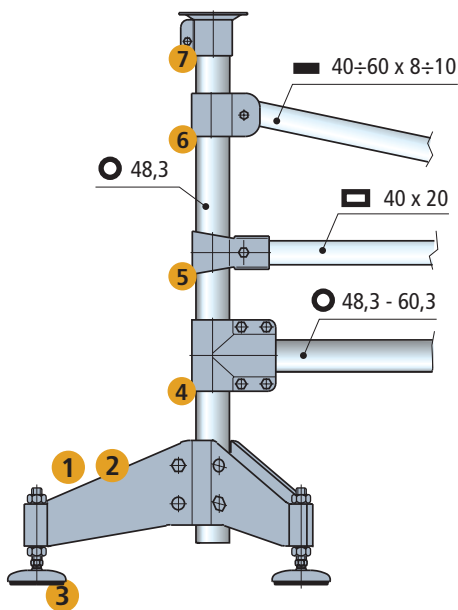
### Bearing heads

## Part. S0690



Tube dia. mm	Code	Weight kg
48,3 (1" 1/2)	684572	0,33

- Material : top bracket and bolts in austenitic stainless steel.
- Packaging : 4 pieces.



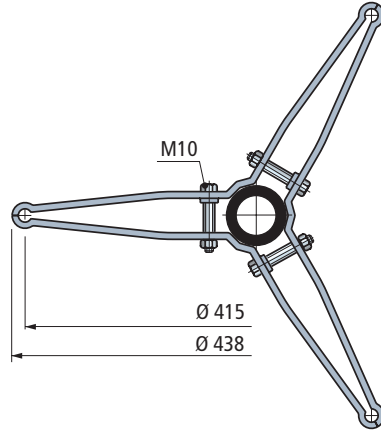
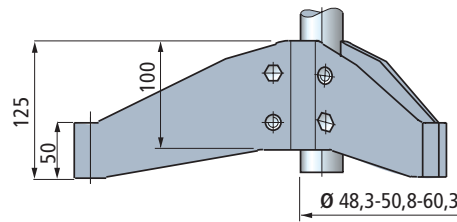
- **Best choice**
- **Standard**
- **On request** : minimum quantity may apply. Consult our Customer Service for availability.

Item code for order = Part. + Code

Part. **S0707**



■ Support bases (tripod)



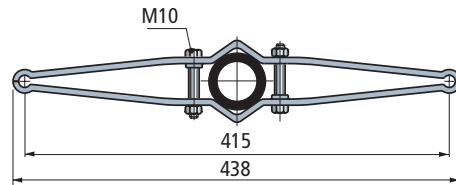
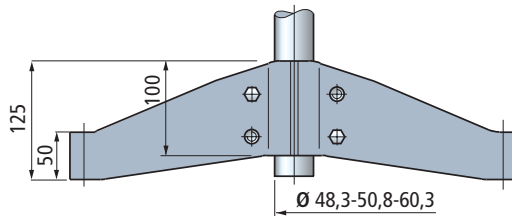
Tube dia. mm	Code	Weight kg
48,3 (1" 1/2)	685062N	
50,8	609963N	2,61
60,3 (2")	685862N	

- Material : support base and bolts in austenitic stainless steel.  
 - Packaging : 1 piece.

Part. **S0706**



■ Support bases (bipod)



Tube dia. mm	Code	Weight kg
48,3 (1" 1/2)	685052N	
50,8	609953N	1,88
60,3 (2")	685852N	

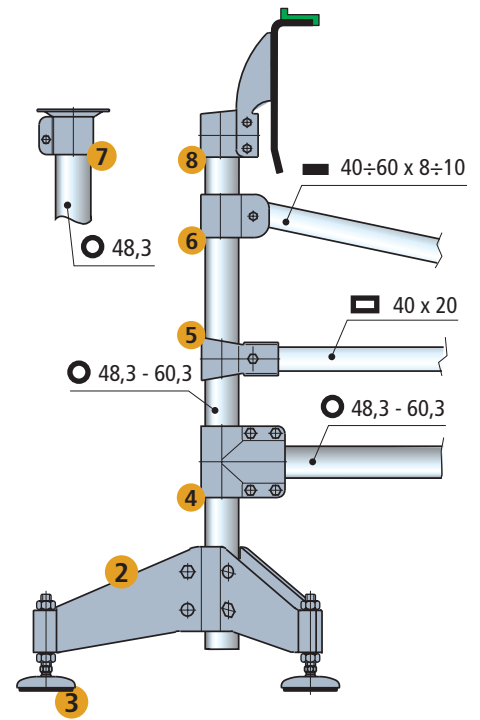
- Material : support base and bolts in austenitic stainless steel.  
 - Packaging : 2 piece.

● Best choice

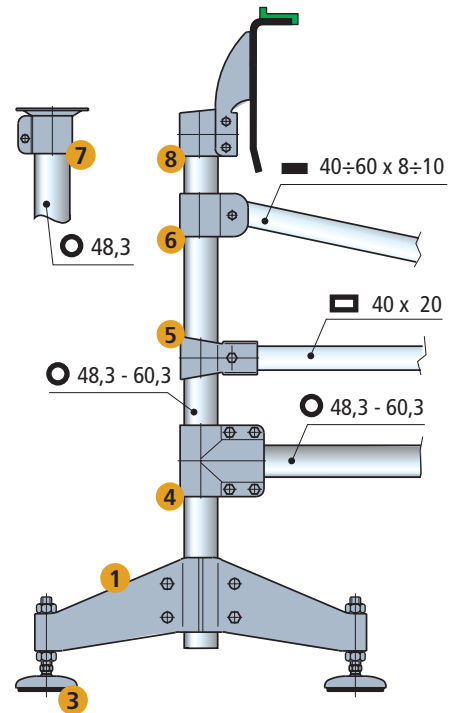
● Standard

● On request : minimum quantity may apply. Consult our Customer Service for availability.

Item code for order = Part. + Code



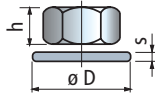
- 1 - Part. S0706
- 2 - Part. S0707
- 3 - Part. S0623-S0627
- 4 - Part. S0686
- 5 - Part. S0688
- 6 - Part. S0689
- 7 - Part. S0690
- 8 - Part. S0685



# Articulated Feet

for Part. S0706 - S0707

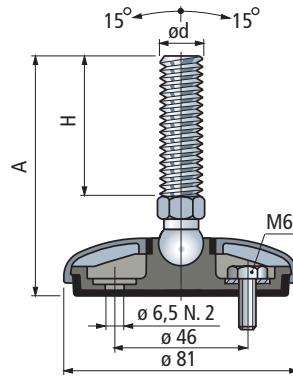
**Accessories**  
Nut + Washer



Code	h mm	s mm	øD mm
M16 630212	13	24	30

- Material : austenitic stainless steel.
- Packaging : 8 pieces.

**Articulated feet Gripper**



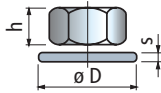
**Part. R0627**



M 16	Spindle types		mm	Code		Max static load (N)	
	ø d (mm)	A (mm)		Feet with cap supplied assembled	Feet with cap supplied disassembled 1)		
	115	81	1a	13	642122	647342	12000
	160	124	1a	13	642132	647352	

- Use : in combination with support bases Part. S0706-S0707.
- 1) = Feet can be fixed to the floor.
- Material : spindle in austenitic stainless steel. Protection cap in austenitic stainless steel.
- Base in reinforced polypropylene with integrated anti-slip in thermoplastic rubber grey (80 Shore).
- The sealing of the internal structure guarantees a better hygiene.
- Packaging : 24 pieces.
- Foot base is supplied with Microban® antibacterial protection.
- By penetrating the cell wall of bacteria Microban® inhibits the growth of most common food poisoning bacteria, such as E.coli, Salmonella, Listeria, S-aureus, Campylobacter, which can cause contamination and odour.

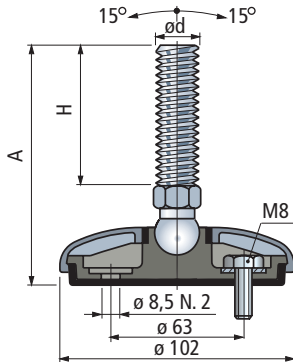
**Accessories**  
Nut + Washer



Code	h mm	s mm	øD mm
M16 630212	13	24	30

- Material : austenitic stainless steel.
- Packaging : 8 pieces.

**Articulated feet Gripper**



**Part. R0623**



M 16	Spindle types		mm	Code		Max static load (N)	
	ø d (mm)	A (mm)		Feet with cap supplied assembled	Feet with cap supplied disassembled 1)		
	115	74	-	-	637512	647422	19500
	115	65	-	1b	640482	647432	
	120	81	1a	-	643742	647442	
	150	109	-	-	637522	647452	
	150	100	-	1b	640492	647462	

- Use : in combination with support bases Part. S0706-S0707.
- 1) = Feet can be fixed to the floor.
- Material : spindle in austenitic stainless steel. Protection cap in austenitic stainless steel.
- Base in reinforced polypropylene with integrated anti-slip in thermoplastic rubber grey (80 Shore).
- The sealing of the internal structure guarantees a better hygiene.
- Packaging : 24 pieces.
- Foot base is supplied with Microban® antibacterial protection.
- By penetrating the cell wall of bacteria Microban® inhibits the growth of most common food poisoning bacteria, such as E.coli, Salmonella, Listeria, S-aureus, Campylobacter, which can cause contamination and odour.

- Best choice**
- Standard**
- On request** : minimum quantity may apply. Consult our Customer Service for availability.

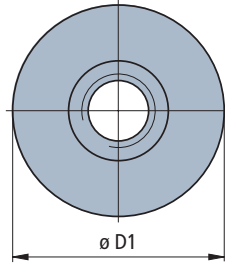
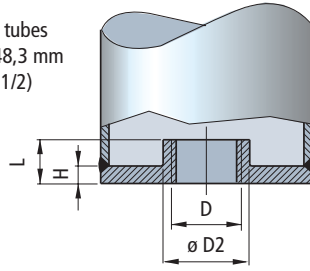
Item code for order = Part. + Code

Part. S0710

Threaded bushings for round tubes



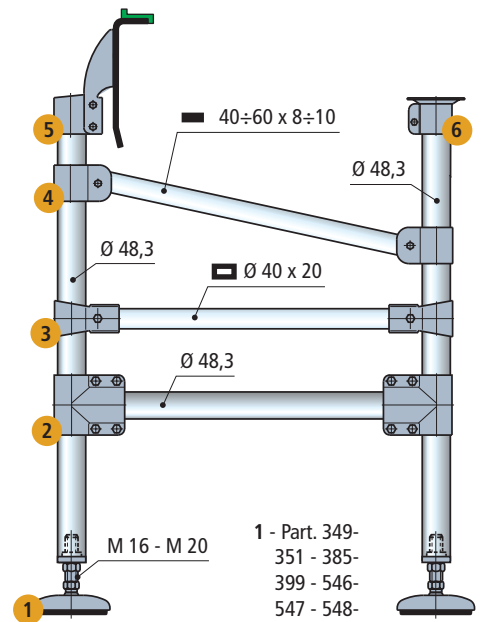
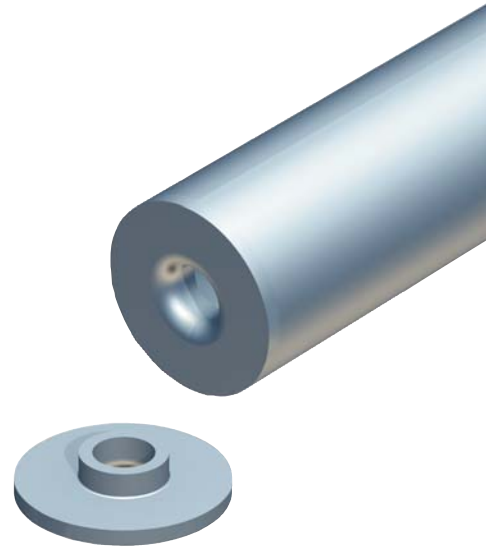
For tubes  
Ø 48,3 mm  
(1" 1/2)



Tube dia. mm	Thread D	Code	Ø D1 mm	Ø D2 mm	H mm	L mm	Weight kg/m
48,3	M 16	685682	48,3	20	4	10	0,06
(1" 1/2)	M 20	68569	48,3	23	4	11,5	

- Assembly by welding.
- Material : austenitic stainless steel.
- Packaging : 48 pieces.

Assembly Part. S0710



- 1 - Part. 349-351 - 385-399 - 546-547 - 548-549 - 623-627 - 629.
- 2 - Part. 686.
- 3 - Part. 688.
- 4 - Part. 689.
- 5 - Part. 685.
- 6 - Part. 690.

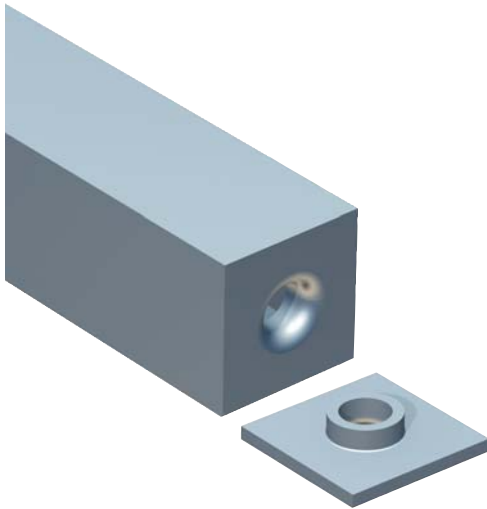
Best choice

Standard

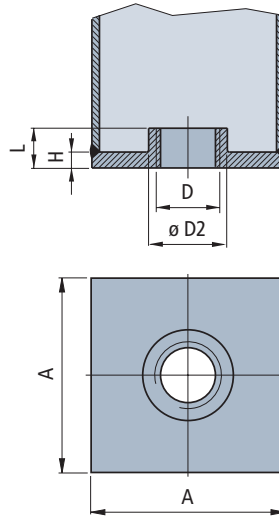
On request : minimum quantity may apply. Consult our Customer Service for availability.

Item code for order = Part. + Code

• Assembly Part. S0713



## Threaded bushings (for square tubes)



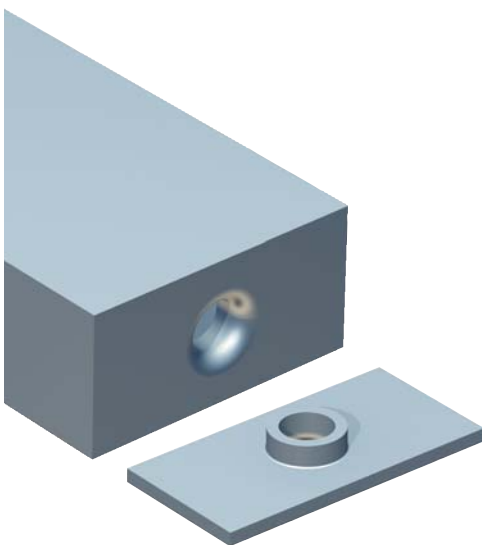
Square tube mm	Thread D	Code	Ø		H mm	L mm	Weight kg/m
			A mm	D2 mm			
40 x 40	M 16	685702	40	20	4	10	0,05
	M 20	685712	40	23	4	11,5	
45 x 45	M 16	685722	45	20	4	10	0,06
	M 20	685732	45	23	4	11,5	
50 x 50	M 16	685742	50	20	4	10	0,08
	M 20	685752	50	23	4	11,5	
60 x 60	M 16	685762	60	20	4	10	0,11
	M 20	685772	60	23	4	11,5	

- Assembly by welding.
- Material : austenitic stainless steel.
- Packaging : 48 pieces.

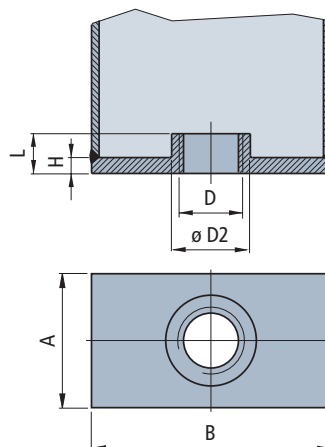
Part. **S0713**



• Assembly Part. S0714



## Threaded bushings (for rectangular tubes)



Rectangular tube mm	Thread D	Code	Ø		H mm	L mm	Weight kg/m
			A mm	D1 mm			
40 x 80	M 16	685782	40	80	20	4	0,10
	M 20	685792	40	80	23	4	

- Assembly by welding.
- Material : austenitic stainless steel.
- Packaging : 48 pieces.

Part. **S0714**



● **Best choice**

● **Standard**

● **On request** : minimum quantity may apply. Consult our Customer Service for availability.

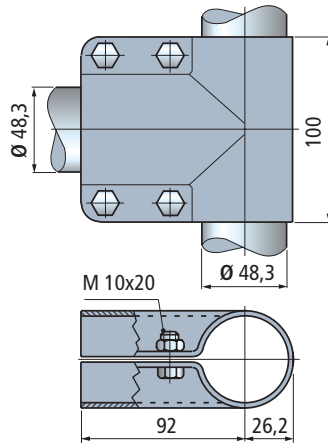
Item code for order = Part. + Code

Part. **S0686**



For tubes Ø 48,3 mm

■ Connecting joints



Tube dia. mm	State of supply	Code	Weight kg
48,3 (1 1/2")	With bolts	684512	0,64
	Without bolts	684522	

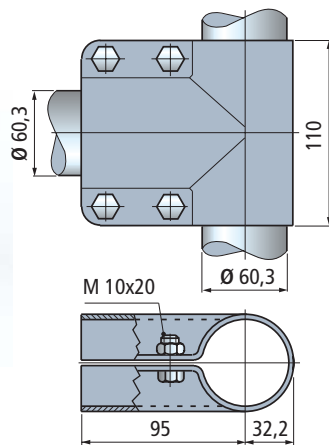
- Material : joint and bolts in austenitic stainless steel.  
 - Packaging : 4 pieces.

Part. **S0687**



For tubes Ø 60,3 mm

■ Connecting joints



Tube dia. mm	State of supply	Code	Weight kg
60,3 (2")	With bolts	684532	0,70
	Without bolt	684542	

- Material : joint and bolts in austenitic stainless steel.  
 - Packaging : 4 pieces.

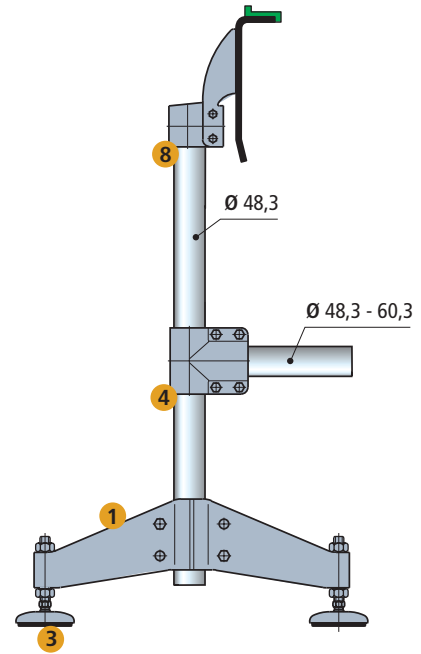
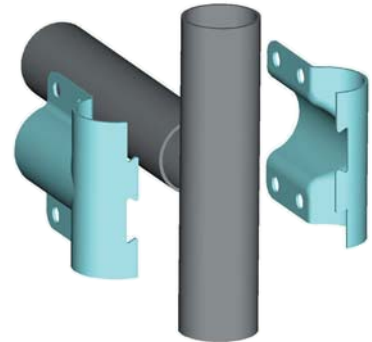
● Best choice

● Standard

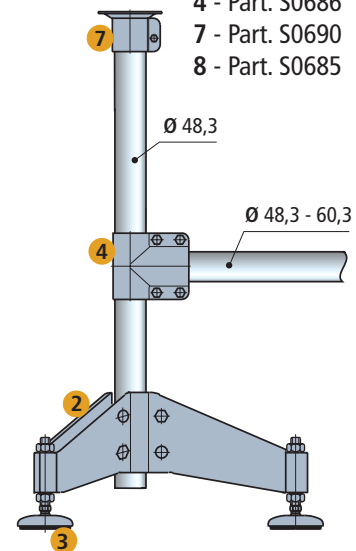
● On request : minimum quantity may apply. Consult our Customer Service for availability.

Item code for order = Part. + Code

• Assembly Part. S0686-S0687



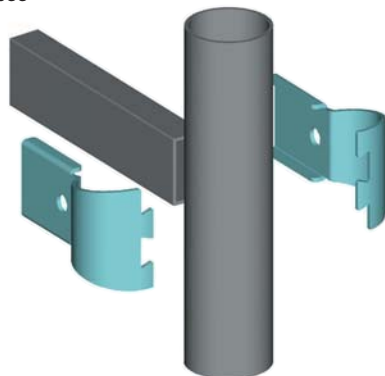
- 1 - Part. S0706
- 2 - Part. S0707
- 3 - Part. S0623-S0627
- 4 - Part. S0686
- 7 - Part. S0690
- 8 - Part. S0685



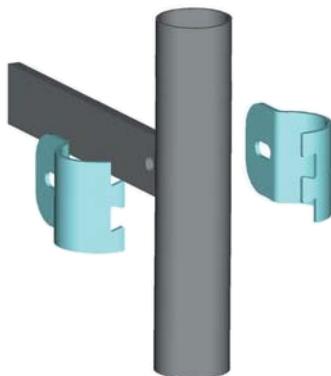


• Assembly

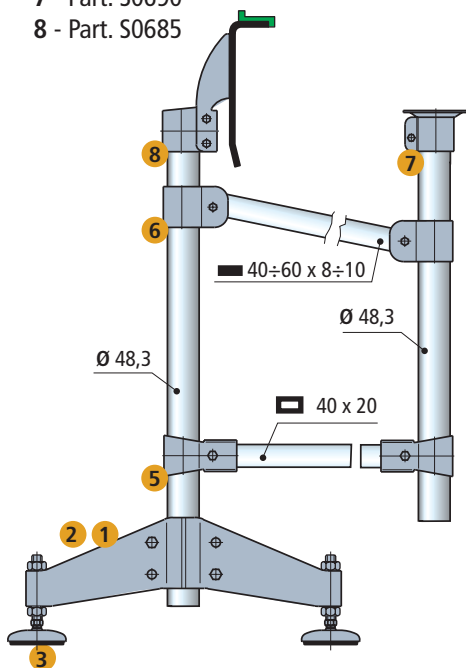
Art.S0688



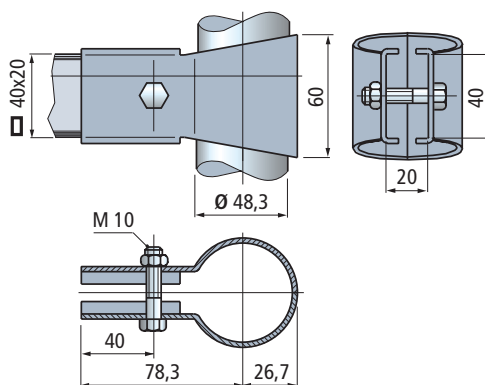
Art.S0689



- 1 - Part. S0706
- 2 - Part. S0707
- 3 - Part. S0623-S0627
- 5 - Part. S0688
- 6 - Part. S0689
- 7 - Part. S0690
- 8 - Part. S0685



■ Connectingjoints



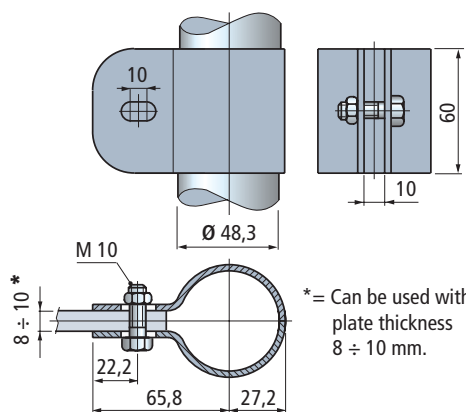
Tube dia. mm	Rectangular tube mm	Code	Weight kg
48,3 (1" 1/2)	40x20	684552	0,35

- Material : joint and bolts in austenitic stainless steel.
- Packaging : 8 pieces.

## Part. S0688



■ Connectingjoints



Tube dia. mm	Code	Weight kg
48,3 (1" 1/2)	684562	0,37
50,8	609943	

- \* : available upon request and minimum order quantity.
- Material : joint and bolts in austenitic stainless steel.
- Packaging : 8 pieces.

## Part. S0689



- **Best choice**
- **Standard**
- **On request** : minimum quantity may apply. Consult our Customer Service for availability.

Item code for order = Part. + Code

**AUSTRALIA**

Rexnord Australia Pty. Ltd.  
Picton, New South Wales  
Phone: 61-2-4677-3811  
Fax: 61-2-4677-3812

**BRAZIL**

Rexnord Correntes Ltda.  
Sao Leopoldo - RS  
Phone: 55-51-579-8022  
Fax: 55-51-579-8029

**CANADA**

Rexnord Canada Ltd.  
Scarborough, Ontario  
Phone: 1-416-297-6868  
Fax: 1-416-297-6873

**CHINA**

Rexnord China  
Shanghai  
Phone: 86-21-62701942  
Fax: 86-21-62701943

**FLATTOP EUROPE**

Rexnord FlatTop Europe b.v.  
's-Gravenzande, The Netherlands  
Phone: 31-174-445-111  
Fax: 31-174-445-222

Rexnord Marbett S.r.L.  
Correggio (RE), Italy  
Phone: 39-0522-639333  
Fax: 39-0522-637778

**UNITED STATES**

Customer Service  
Phone: 1-866-REXNORD  
(1-866-739-6673)  
Fax: 1-614-675-1898  
E-mail: rexnordcs(state)@rexnord.com  
Example: rexnordcsohio@rexnord.com

Rexnord FlatTop North America  
Grafton, Wisconsin  
Phone: 1-262-376-4700  
Fax: 1-262-376-4720

Rexnord International - Power Transmission  
Milwaukee, Wisconsin  
Phone: 1-414-643-2366  
Fax: 1-414-643-3222  
E-mail: international2@rexnord.com

**ALL COUNTRIES NOT LISTED**

Rexnord FlatTop Europe b.v.  
's-Gravenzande, The Netherlands  
Phone: 31-174-445-111  
Fax: 31-174-445-222

**After Hours/Emergency Phone:**  
31-174-445-112



www.rexnordflattop.com  
flattopeurope@rexnord.com