

PRODUCT CATALOGUE  
2009

MARBETT®  
CONVEYOR COMPONENTS  
SUPPORTING AND LEVELLING ELEMENTS  
SELF-ALIGNING BEARINGS



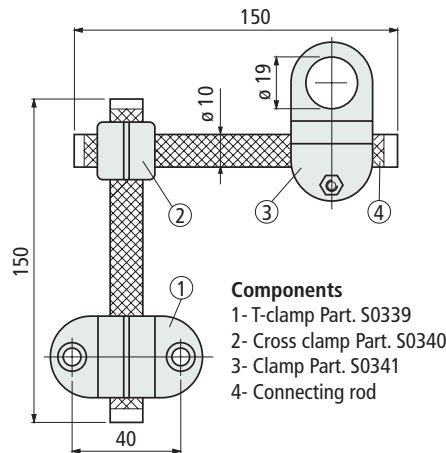
FlatTop Europe

**REXNORD**  
PRECISION. POWER. PERFORMANCE.

Part. S0342



■ Assembly kit for photocells or sensors



- Components**  
 1- T-clamp Part. S0339  
 2- Cross clamp Part. S0340  
 3- Clamp Part. S0341  
 4- Connecting rod

Code

Weight kg

605153N

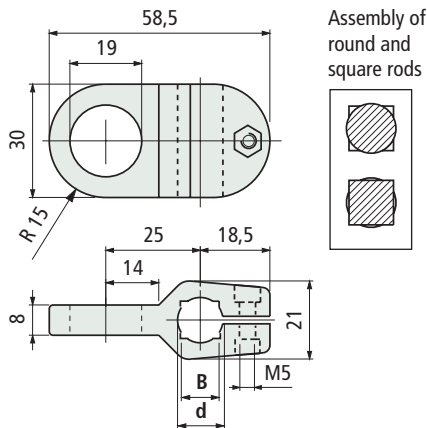
0,14

- Material : clamps in reinforced polyamide PA FV (black), tightening bolt and connecting rods in austenitic stainless steel.
- Max recommended tightening torque : 0,5 Kgm.
- Packaging : 50 Kit.

Part. S0341



■ Clamp for photocells or sensors



| Tightening bolt material   | Rod dia. d mm | Square rod B mm | Code   | Weight kg |
|----------------------------|---------------|-----------------|--------|-----------|
| Austenitic stainless steel | 10            | 8               | 68383  | 0,02      |
|                            | 12            | 10              | 68395  |           |
|                            | 14            | 12              | 67385  |           |
| Zinc plated steel          | 10            | 8               | 627061 |           |
|                            | 12            | 10              | 627071 |           |
|                            | 14            | 12              | 627081 |           |

- Material : clamp in reinforced polyamide PA FV (black).
- Max recommended tightening torque : 0,5 Kgm.
- Packaging : 50 pieces.

● Best choice

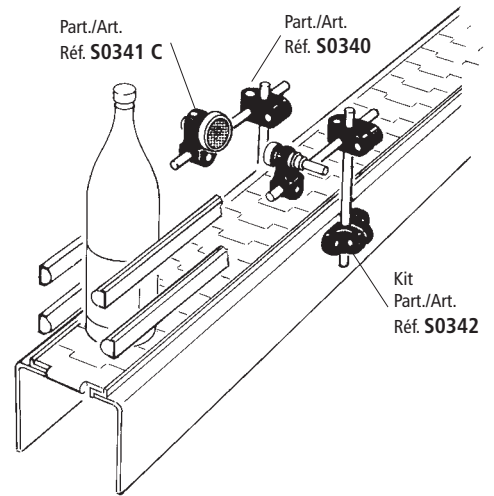
● Standard

● On request : minimum quantity may apply. Consult our Customer Service for availability.

Item code for order = Part. + Code

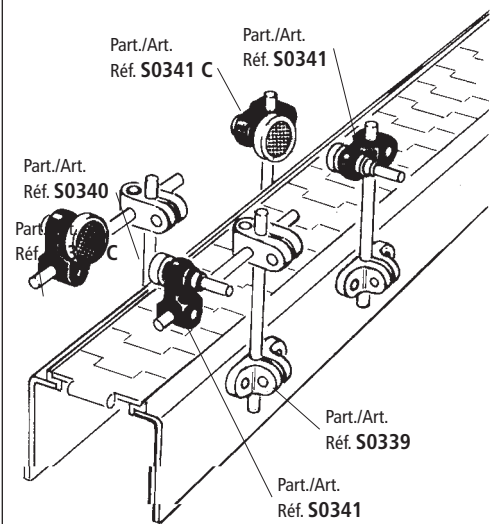
• Assembly of Part. S0342

Dia. 18 mm photocells or sensors



• Assembly of Part. S0341

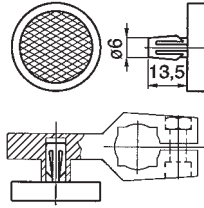
Dia. 18 mm photocells or sensors



• **Assembly of Part. S0341 C**

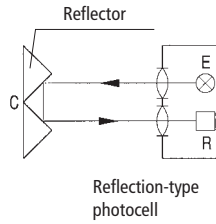
Types of reflectors that can be mounted :

Reflector with clip-on fixing pin: press-fit between clip and clamp hole.



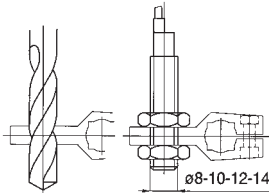
• **Operating principle**

The beam of light emitted by source E is reflected by reflector C and conveyed to receiver R. Reading is performed through interruption of the beam of light.



• **Assembly of photocells or sensors**

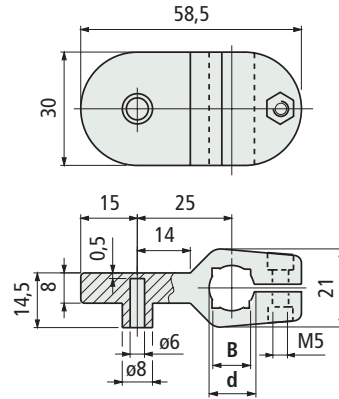
The clamp can also be drilled to hold dia. 8-10-12-14 mm photocells or sensors.



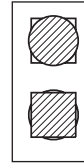
• **Suitable reflector type**

Imos

**Clamp for reflectors**



Assembly of round and square rods



| Tightening bolt material   | Rod dia. d mm | Square rod B mm | Code     | Weight kg |
|----------------------------|---------------|-----------------|----------|-----------|
| Austenitic stainless steel | 10            | 8               | C6721500 | 0,02      |
|                            | 12            | 10              | C6912500 |           |
|                            | 14            | 12              | C6913500 |           |
| Zinc plated steel          | 10            | 8               | C6270910 | 0,02      |
|                            | 12            | 10              | C6271010 |           |
|                            | 14            | 12              | C6271110 |           |

- Material : clamp in reinforced polyamide PA FV (black).
- Max recommended tightening torque : 0,5 Kgm.
- Packaging : 50 pieces.

**Part. S0341C**



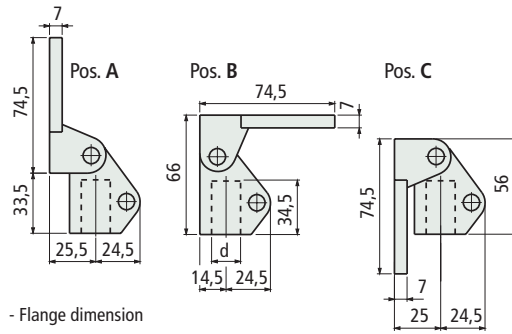
- **Best choice**
- **Standard**
- **On request** : minimum quantity may apply. Consult our Customer Service for availability.

Item code for order = Part. + Code

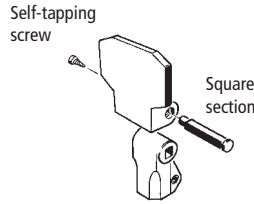
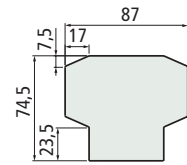
Part. **S0372**

■ Universal clamp for photocells or reflectors

- Can be fitted in positions A - B - C



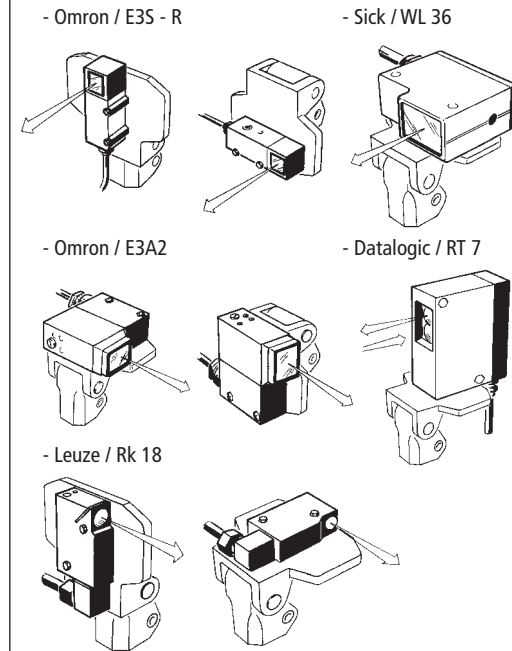
- Flange dimension



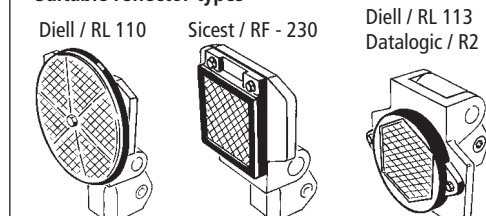
| Rod dia.<br>d<br>mm | Code  | Weight<br>kg |
|---------------------|-------|--------------|
| 14                  | 61786 | 0,12         |
| 15                  | 61796 |              |
| 16                  | 61806 |              |
| 18                  | 61816 |              |
| 20                  | 61826 |              |

- Material : clamp in reinforced polyamide PA FV (black), tightening bolt in austenitic stainless steel.
- State of supply : already assembled in position A
- Max recommended tightening torque : 1,5 Kgm.
- Packaging : 50 pieces.

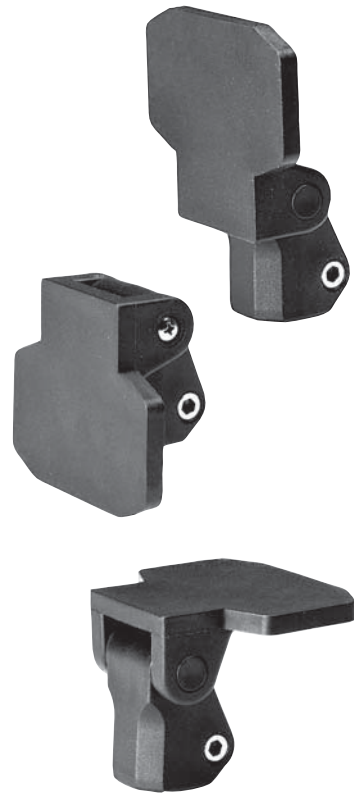
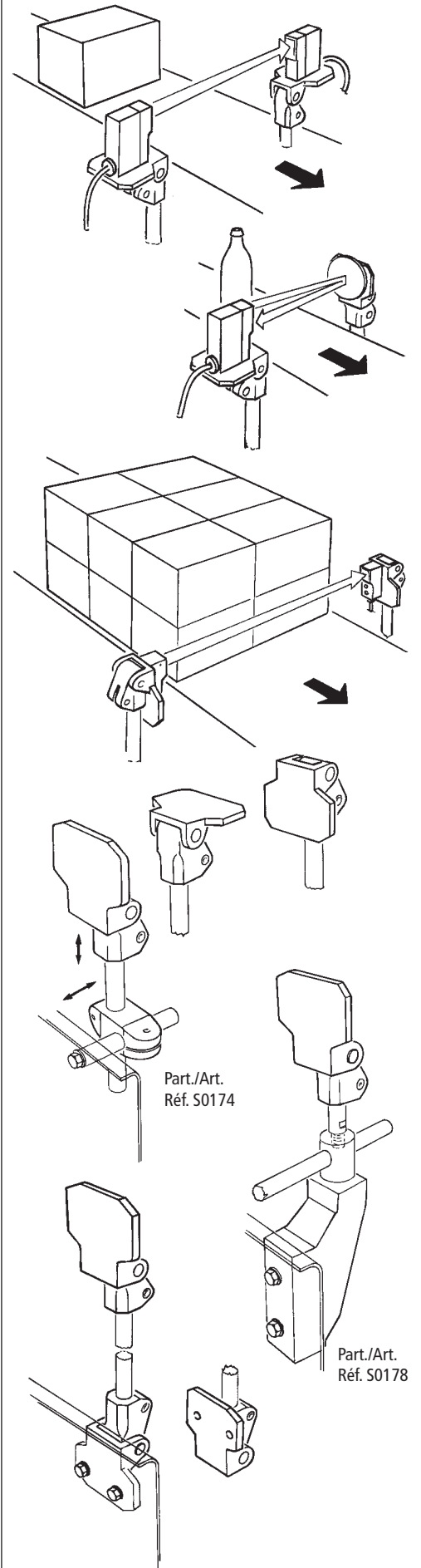
• Suitable photocell types



• Suitable reflector types



• Assembly of Part. S0372



● Best choice

● Standard

● On request : minimum quantity may apply. Consult our Customer Service for availability.

Item code for order = Part. + Code

## Part. S0518

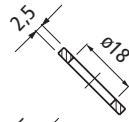
### • Use

Contact lever ideal to mechanically check the presence of products. Works in conjunction with photocells or magnetic sensor (proximity sensor).

### • Versions

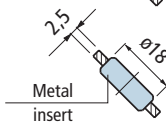
The control contact lever is supplied in three versions according to the type of sensor to be used.

- 1) With hole (no insert).



Sez A-A

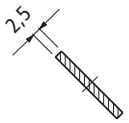
- 2) With hole and metal insert (for magnetic sensor).



Metal insert

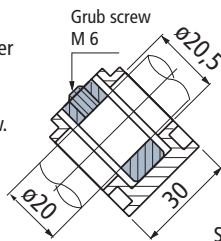
Sez A-A

- 3) Without hole



Sez A-A

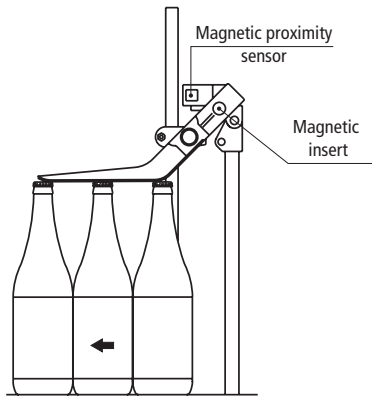
- Assembly on the shaft. The control contact lever can be axially fixed on the shaft with a metal collar and a grub screw.



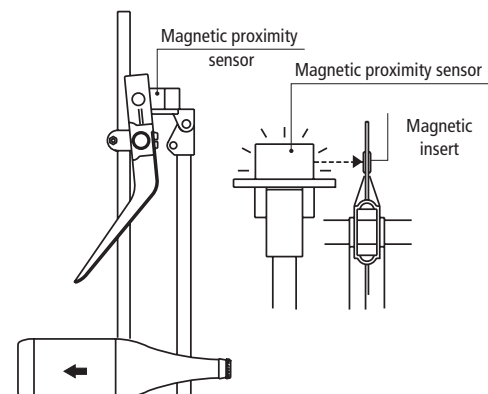
Sez B-B

- Assembly of Part. S0518 (with insert for magnetic sensor)

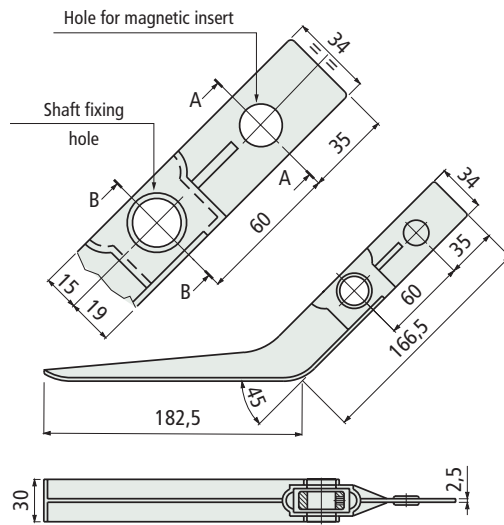
In regular conditions the control contact lever is high and magnetic proximity sensor does not detect the presence of magnetic insert.



In case of problem (example bottle downing) the control contact lever lowers and magnetic sensor detects the presence of magnetic insert and stops the conveyor.



### ■ Control contact lever



| Version                    | Code    | Weight<br>kg |
|----------------------------|---------|--------------|
| With hole (no insert)      | 642941N |              |
| With hole and metal insert | 642951N | 0,1          |
| Without hole               | 696021N |              |

- Material : lever in polypropylene (black), insert (for magnetic sensor) in ferritic stainless steel, locking spacer (for shaft fixing) in zinc plated steel.
- Packaging : 50 pieces.

● Best choice

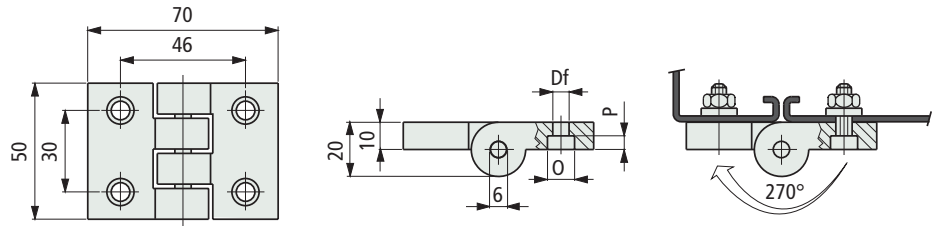
● Standard

● On request : minimum quantity may apply. Consult our Customer Service for availability.

Item code for order = Part. + Code

Part. **S0337**

■ 270° hinge

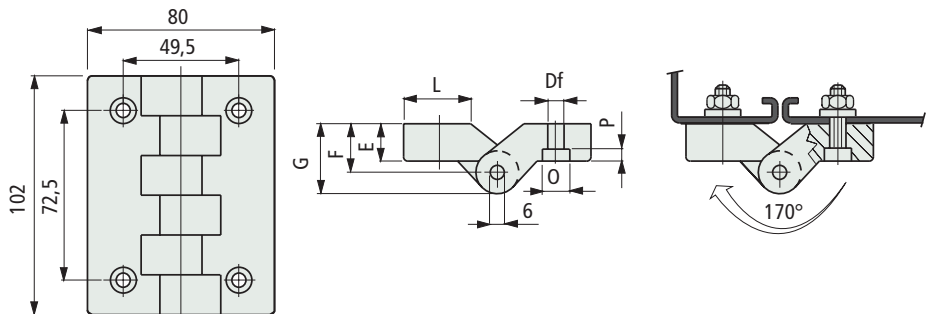


| Fixing screws dia. | Code         | Df dia. mm | O mm | P mm | Weight gr | Packaging No. of pieces |
|--------------------|--------------|------------|------|------|-----------|-------------------------|
| M 6                | <b>67023</b> | 6,5        | 10,5 | 6    | 55        | 24                      |
| M 8                | <b>60334</b> | 8,5        | 13,5 | 4    |           |                         |

- Material : hinge in polyamide PA (black). Pin in ferritic stainless steel.
- Max recommended tightening torque : 0,5 Kgm.

Part. **S0260**

■ 170° hinge



| E mm | Fixing screws dia. | Code         | ø Df mm | F mm | G mm | O mm | P mm | L mm | Weight gr | Packaging No. of pieces |
|------|--------------------|--------------|---------|------|------|------|------|------|-----------|-------------------------|
| 11,5 | M 6                | <b>65021</b> | 6,5     | 14,5 | 23,5 | 10,5 | 6    | 35   | 110       | 20                      |
|      | M 8                | <b>66546</b> | 8,5     |      |      | 13,5 | 8    |      |           |                         |
| 18   | M 6                | <b>65011</b> | 6,5     | 21   | 30   | 10,5 | 6    | 22   | 130       |                         |
|      | M 8                | <b>66556</b> | 8,5     |      |      | 13,3 | 8    |      |           |                         |

- Material : hinge in polyamide PA (black). Pin in austenitic stainless steel.
- Max recommended tightening torque : 0,5 Kgm (with M6 screws), 1 Kgm (with M8 screws).

● **Best choice**

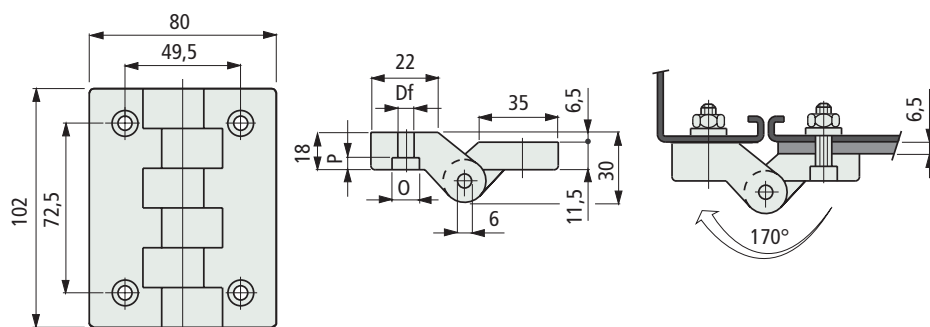
● **Standard**

● **On request** : minimum quantity may apply. Consult our Customer Service for availability.

Item code for order = Part. + Code

■ 170° hinge

Part. **S0260**



| Fixing screws dia. | Code  | ø Df mm | 0 mm | P mm | Weight gr | Packaging No. of pieces |
|--------------------|-------|---------|------|------|-----------|-------------------------|
| M 6                | 65031 | 6,5     | 10,5 | 6    | 120       | 20                      |
| M 8                | 66566 | 8,5     | 13,5 | 8    |           |                         |

- Material : hinge in polyamide PA (black). Pin in austenitic stainless steel.
- Max recommended tightening torque : 0,5 Kgm (with M6 screws), 1 Kgm (with M8 screws).



For misalligned mounting surfaces

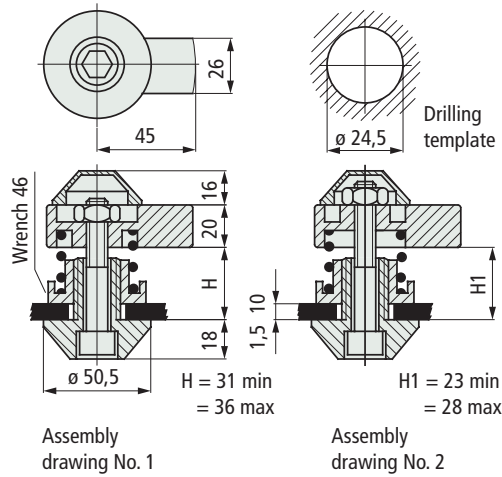
- **Best choice**
- **Standard**
- **On request** : minimum quantity may apply. Consult our Customer Service for availability.

Item code for order = Part. + Code

Part. **S0272**



Lock



Code

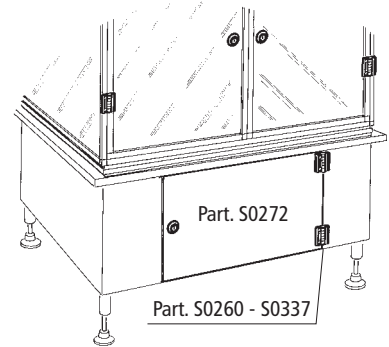
66771

Weight  
Kg

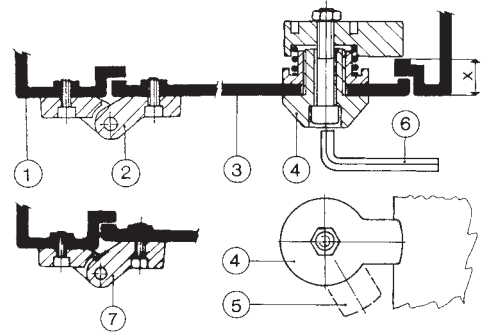
0,2

- Material : body in reinforced polyamide PA FV (black), bolts, nuts and spring in austenitic stainless steel.
- Use : closure of doors in machines for foodindustry (washing, bottling, etc).
- Packaging : 10 pieces.
- Operation with hexagonal bar 10 key.
- Key turn : 360 right or left.
- Assembly instructions :  
Assembly lock as shown in assembly diagram 1, when the size X (Fig. 1) is suitable for assembly distance between 31 ÷ 36 mm. When X (Fig. 1) is between 23 ÷ 28 mm, follow assembly type 2.

• Assembly of Part. S0272



• Fig. 1



- 1 - Machine structure.
- 2 - Hinge Part. S0260 - S0337.
- 3 - Door.
- 4 - Lock Part. S0272 (in closed position).
- 5 - Lock Part. S0272 (in open position).
- 6 - Lock key (with exagonal 10 wrench).
- 7 - Hinge Part. S0260 (for misaligned mounting surfaces).

● Best choice

● Standard

● On request : minimum quantity may apply. Consult our Customer Service for availability.

Item code for order = Part. + Code



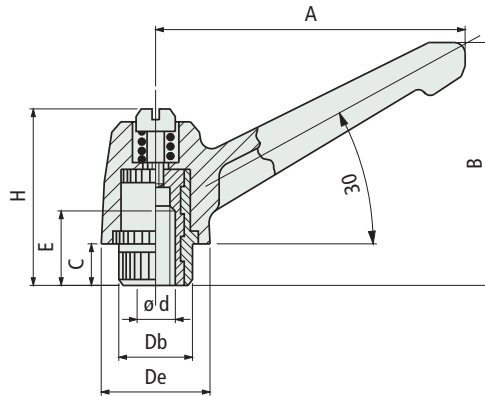
## Ratchet handle clamping

### Part. S0302

| Bore dia.<br>d | A<br>mm | B<br>mm | C<br>mm | E<br>mm | H<br>mm | Db<br>mm | De<br>mm | Code  |
|----------------|---------|---------|---------|---------|---------|----------|----------|-------|
| M 6            | 40      | 40      | 7       | 12      | 32      | 11,5     | 16       | 60902 |
| M 8            | 55      | 51      | 10      | 14      | 37      | 15       | 20       | 60862 |
| M 10           | 79      | 67      | 11      | 20      | 48      | 20       | 28       | 60962 |

- Material : handle in reinforced polyamide in PA FV (black), Threaded insert in nickel plated brass.

- Packaging :  
with d = M 6 and M 8 (100 pieces).  
with d = M 10 (50 pieces).



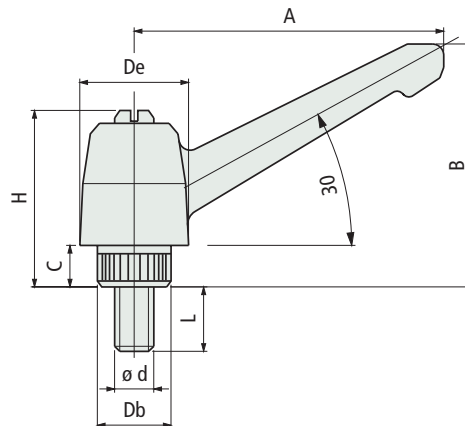
## Ratchet handle clamping

### Part. S0303

| Bore dia.<br>d | A<br>mm | B<br>mm | C<br>mm | L<br>mm | H<br>mm | Db<br>mm | De<br>mm | Code   |
|----------------|---------|---------|---------|---------|---------|----------|----------|--------|
| M 5            | 40      | 40      | 7       | 20      | 32      | 11,5     | 16       | 646742 |
| M 6            | 40      | 40      | 7       | 20      | 32      | 11,5     | 16       | 60922  |
| M 8            | 55      | 51      | 10      | 25      | 37      | 15       | 20       | 60872  |
| M 10           | 79      | 67      | 11      | 30      | 48      | 20       | 28       | 60942  |

- Material : handle in reinforced polyamide in PA FV (black), spindle in austenitic stainless steel.

- Packaging :  
with d = M 5, M 6 and M 8 (100 pieces).  
with d = M 10 (50 pieces).



● Best choice

● Standard

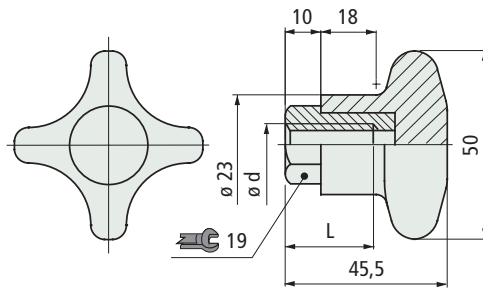
● On request : minimum quantity may apply. Consult our Customer Service for availability.

Item code for order = Part. + Code

Part. **S0182**



■ Tightening knob



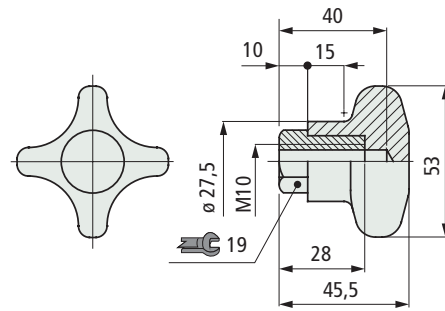
| Thread dia. d  | Code    | L mm |
|--|---------|------|
| <b>Threaded insert in austenitic stainless steel</b> |         |      |
| M 6  | 645111N |      |
| M 8  | 649961N | 23   |
| M 10   | 649971N |      |
| M 12   | 645141N |      |
| <b>Threaded insert in nickel plated brass</b>        |         |      |
| M 10   | 54911   | 28   |

- Material : knob in reinforced polyamide PA FV (black), threaded insert in nickel plated brass.
- Max recommended tightening torque : 2,5 Kgm (manual tightening), 4 Kgm (tightening with wrench). For high tightening torques apply a 19 mm wrench to the hexagon of the insert.
- Packaging : 50 pieces.

Part. **S0183**



■ Tightening knob



| Code  |
|-------|
| 54921 |

- Material : knob in reinforced polyamide PA FV (black), threaded insert in nickel plated brass.
- Max recommended tightening torque : 2,5 Kgm (manual tightening), 4 Kgm (tightening with wrench). For high tightening torques apply a 19 mm wrench to the hexagon of the insert.
- Packaging : 50 pieces.

● Best choice

● Standard

● On request : minimum quantity may apply. Consult our Customer Service for availability.

Item code for order = Part. + Code

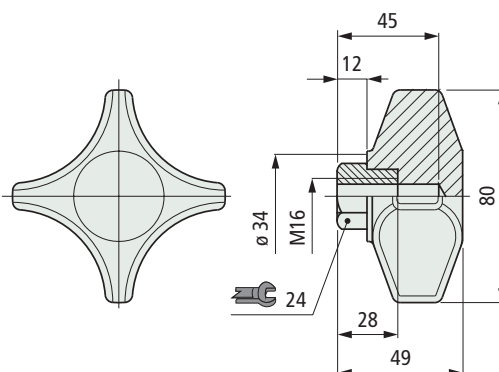
## Tightening knob

Part. **S0625**

Code

641372

- Material : knob in reinforced polyamide PA FV (black), threaded insert in nickel plated brass.
- Max recommended tightening torque : 3 Kgm (manual tightening), 5 Kgm (tightening with wrench).
- For high tightening torques apply a 24 mm wrench to the hexagon of the insert.
- Packaging : 50 pieces.



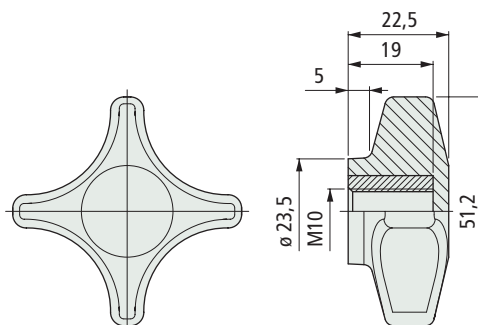
## Tightening knob

Part. **S0775**

Code

612763

- Material : knob in reinforced polyamide PA FV (black), threaded insert in nickel plated brass.
- Max recommended tightening torque : 2,5 Kgm (manual tightening).
- Packaging : 50 pieces.



- **Best choice**
- **Standard**
- **On request** : minimum quantity may apply. Consult our Customer Service for availability.

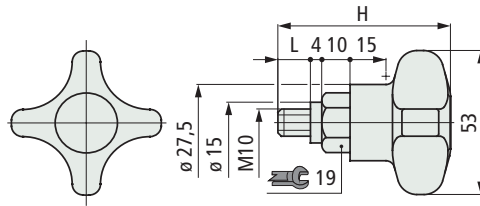
Item code for order = Part. + Code

Part. **S0185**

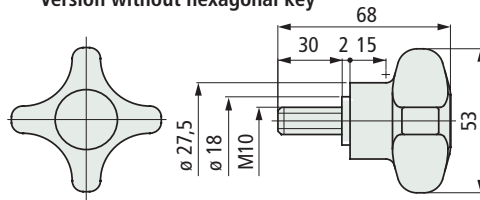


■ Tightening knob

Version with hexagonal key



Version without hexagonal key



| Material knob                        | L mm | Code         | H mm |
|--------------------------------------|------|--------------|------|
| <b>Version with hexagonal key</b>    |      |              |      |
| Reinforced Polyamide                 | 11   | <b>53081</b> | 61   |
| PA FV (black)                        | 30   | 683832       | 80   |
| <b>Version without hexagonal key</b> |      |              |      |
| Reinforced Polyamide                 | -    | 698942       | -    |
| PA FV (black)                        | -    | -            | -    |

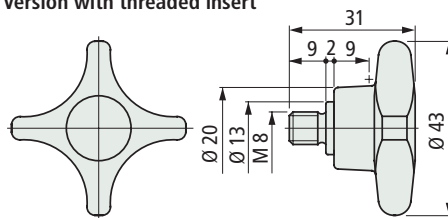
- Use : version with knob in reinforced Polypropylene PP FV (grey), gives a better resistance to chemical agents.
- Material : knob in reinforced polyamide PA FV (black), (threaded insert in nickel plated brass).  
With knob in reinforced Polypropylene PP FV (threaded insert in austenitic stainless steel).
- Max recommended tightening torque : 2,5 Kgm (manual tightening), 4 Kgm (tightening with wrench).  
For high tightening torques apply a 19 mm wrench to the hexagon of the insert.
- Packaging : 50 pieces.

Part. **S0671**

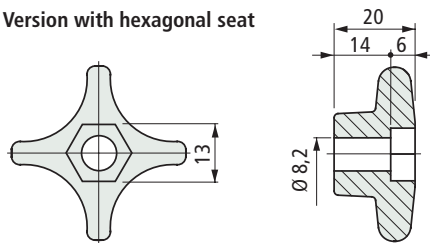


■ Tightening knob

Version with threaded insert



Version with hexagonal seat



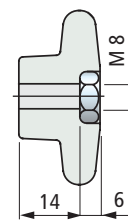
| Version              | Code          |
|----------------------|---------------|
| With threaded insert | <b>676392</b> |
| With hexagonal seat  | 676402        |

- Supplied in reinforced Polypropylene PP FV, gives a better resistance to chemical agents.
- Material : knob in reinforced Polypropylene PP FV (grey), threaded insert in austenitic stainless steel.
- Max admitted tightening torque : 1 Kgm (version with threaded insert).
- Packaging : 50 pieces.

• Example of application of version with hexagonal seat

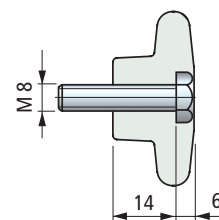
**Use with nut**

Apply a standard hexagonal M 8 UNI 5588, DIN 934.



**Use with screw**

Apply an hexagonal head screw M 8 UNI 5739, DIN 933, ISO 4017.



● **Best choice**

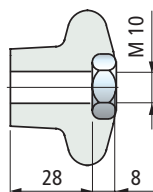
● **Standard**

● **On request** : minimum quantity may apply. Consult our Customer Service for availability.

Item code for order = Part. + Code

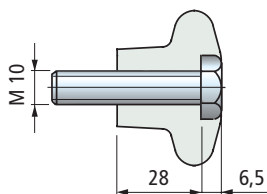
### Use with nut

Apply a standard hexagonal M 10 UNI 5588, DIN 934.

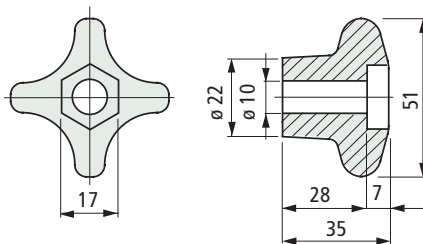


### Use with screw

Apply an hexagonal head screw M 10 UNI 5739, DIN 933, ISO 4017.



### Tightening knob



#### Code

Weight  
Kg

#### Reinforced Polyamide PA FV (black)

693552 0,02

#### Reinforced Polypropylene PP FV (grey)

693562 0,02

- Economical version (supplied without tightening elements).
- The version in reinforced Polypropylene PP FV, gives a better resistance to chemical agents.
- Packaging : 50 pieces.

## Part. S0734



● Best choice

● Standard

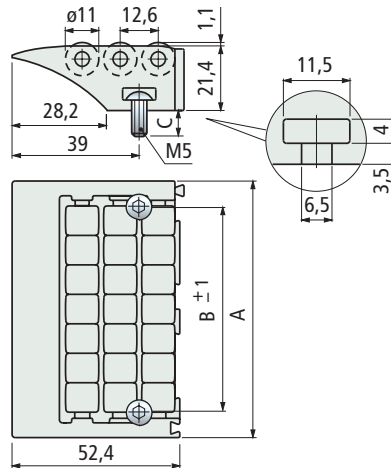
● On request : minimum quantity may apply. Consult our Customer Service for availability.

Item code for order = Part. + Code

Part. **S0567**



■ **Transfer roller plate**



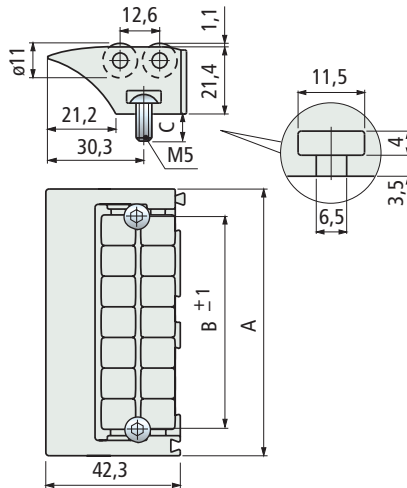
| A mm | B mm | C mm           | Code  | Weight kg |
|------|------|----------------|-------|-----------|
| 85   | 67,6 | Without screws | 892   | 0,09      |
|      |      | 7              | 82    |           |
|      |      | 13             | 82    |           |
| 115  | 97   | Without screws | 838   | 0,11      |
|      |      | 7              | 872   |           |
|      |      | 13             | 87322 |           |

- Material : frame and rollers in acetal Rex-HP™ (dark grey) very low coefficient of friction. Roller pins in austenitic stainless steel, screws in austenitic stainless steel.
- Modularity : snap-on assembly with Part. S0568.
- Packaging : 10 pieces.

Part. **S0672**



■ **Transfer roller plate**



| A mm | B mm | C mm           | Code  | Weight kg |
|------|------|----------------|-------|-----------|
| 85   | 67,6 | Without screws | 8412  | 0,09      |
|      |      | 7              | 8422  |           |
|      |      | 13             | 8558  |           |
| 115  | 97   | Without screws | 8432  | 0,11      |
|      |      | 7              | 8442  |           |
|      |      | 13             | 85592 |           |

- Material : frame and rollers in acetal Rex-HP™ (dark grey) very low coefficient of friction. Roller pins in austenitic stainless steel, screws in austenitic stainless steel.
- Modularity : snap-on assembly with Part. S0568.
- Packaging : 10 pieces.

● **Best choice**

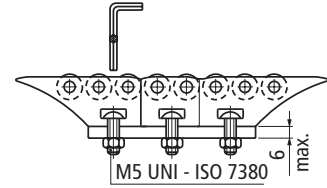
● **Standard**

● **On request** : minimum quantity may apply. Consult our Customer Service for availability.

Item code for order = Part. + Code

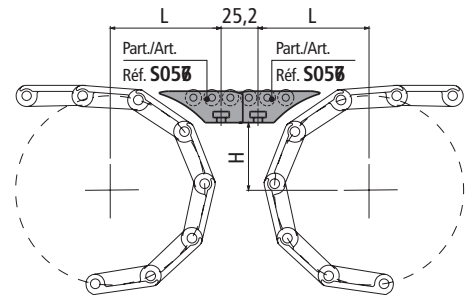


Screws are tightened with an hexagon key inserted between rollers.

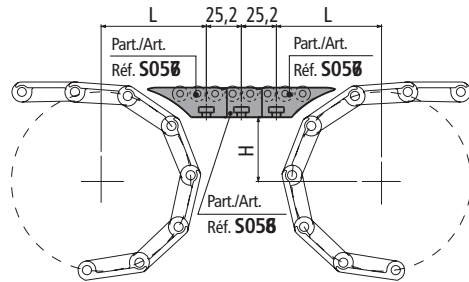


■ **Modular transfer**

of small and light products.

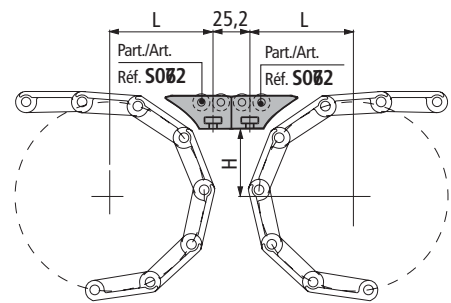


L and H see page S214.

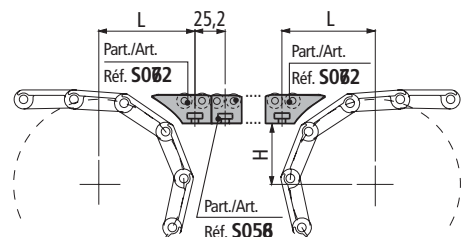


L and H see page S214.

■ **Compact version.**



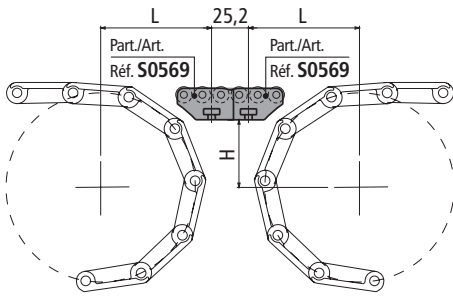
L and H see page S216.



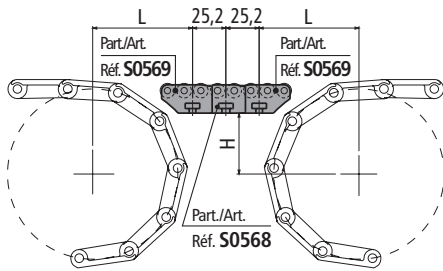
L and H see page S216.

# Modular transfer roller plate

- Head to tail transfer of big and heavy products.

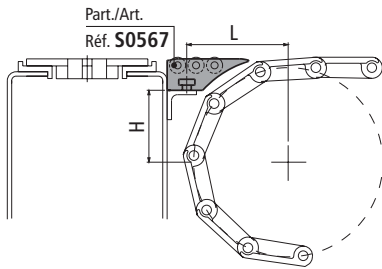


L and H see page S214.



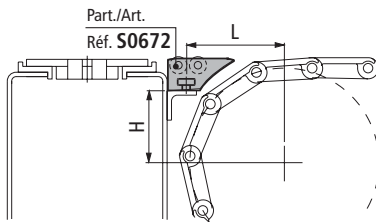
L and H see page S214.

- 90 transfer of small and light products.



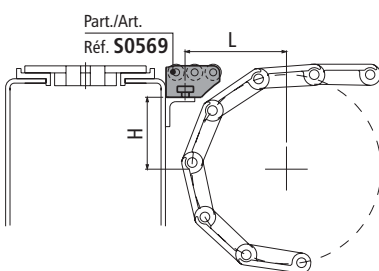
L and H see page S214.

Compact version.



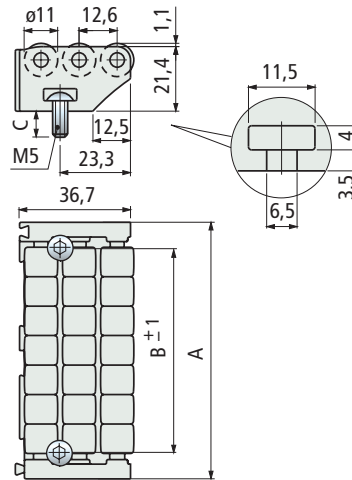
L and H see page S216.

- 90 transfer of big and heavy products.



L and H see page S214.

## End transfer module



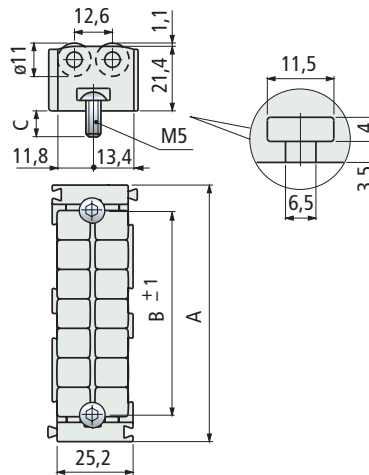
| A mm | B mm | C mm           | Code   | Weight kg |
|------|------|----------------|--------|-----------|
| 85   | 67,6 | Without screws | 605922 | 0,08      |
|      |      | 7              | 686262 |           |
|      |      | 13             | 601092 |           |
| 115  | 97   | Without screws | 687392 | 0,10      |
|      |      | 7              | 686482 |           |
|      |      | 13             | 677332 |           |

- Material : frame and rollers in acetal Rex-HP™ (dark grey) very low coefficient of friction.
- Roller pins in austenitic stainless steel, screws in austenitic stainless steel.
- Modularity : snap-on assembly with Part. S0568.
- Packaging : 10 pieces.

## Part. S0569



## Centre transfer module



| A mm | B mm | C mm           | Code   | Weight kg |
|------|------|----------------|--------|-----------|
| 85   | 67,6 | Without screws | 605912 | 0,06      |
|      |      | 13             | 601082 |           |
|      |      | Without screws | 687402 |           |
| 115  | 97   | 13             | 677312 | 0,08      |

- Material : frame and rollers in acetal Rex-HP™ (dark grey) very low coefficient of friction.
- Roller pins in austenitic stainless steel, screws in austenitic stainless steel.
- Modularity : snap-on assembly with Part. S0567-S0569-S0672.
- Packaging : 20 pieces.

## Part. S0568



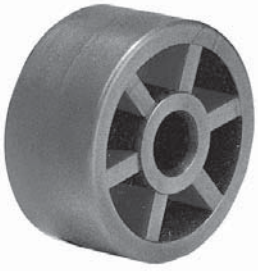
● Best choice

● Standard

● On request : minimum quantity may apply. Consult our Customer Service for availability.

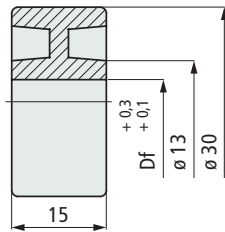
Item code for order = Part. + Code

Part. **S0020**  
Part. **S0021**

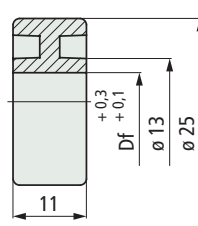


Rollers

Part. S0020



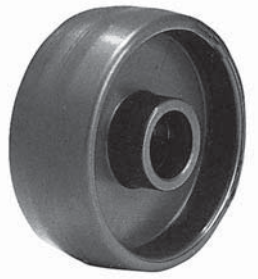
Part. S0021



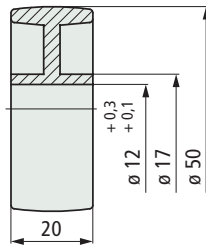
| Part. | Bore dia. Df mm | Code  |
|-------|-----------------|-------|
| S0020 | 7               | 51410 |
|       | 5,5             | 51420 |
| S0021 | 9,5             | 51430 |
|       | 10,5            | 51440 |

- Material : polyamide PA (black).  
- Packaging : 200 pieces.

Part. **S0016**



Roller



Code

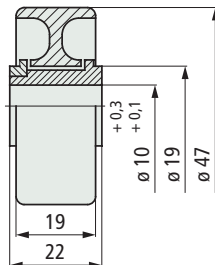
51400

- Material : polyamide PA (black).  
- Packaging : 100 pieces.

Part. **S0076**



Roller



Code

51390

- Material : roller in acetal POM (orange),  
bush in polyamide PA (white).  
- Packaging : 100 pieces.

● Best choice

● Standard

● On request : minimum quantity may apply. Consult our Customer Service for availability.

Item code for order = Part. + Code

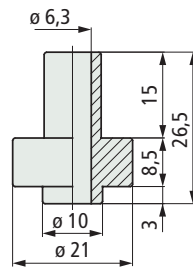


## Rollers

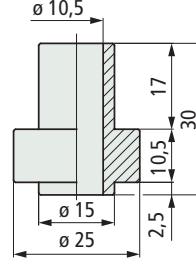
| Part. | Code  |
|-------|-------|
| S0063 | 51370 |
| S0095 | 51380 |

- Material : acetal POM (white).
- Packaging : Part. S0063 (500 pieces), Part. S0095 (200 pieces).
- Part. S0063 can be used as spare part in roller guides Part. S0128-S0128 S-S0628 S.

Part. S0063



Part. S0095



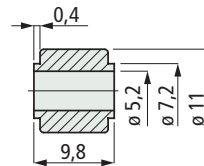
Part. **S0063**  
Part. **S0095**



## Roller

| Code  |
|-------|
| 64434 |

- Material : acetal Rex-LF® (light brown) very low coefficient of friction.
- Packaging : 5000 pieces.



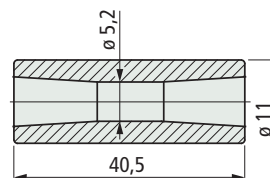
Part. **S0363**



## Roller

| Code   |
|--------|
| 614381 |

- Material : acetal Rex-LF® (light brown) very low coefficient of friction.
- Packaging : 500 pieces.



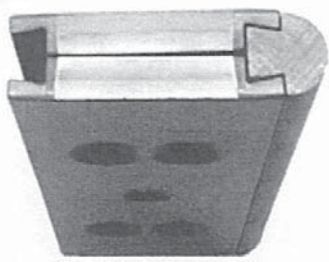
Part. **S0455**



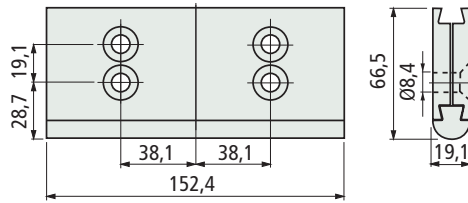
- **Best choice**
- **Standard**
- **On request** : minimum quantity may apply. Consult our Customer Service for availability.

Item code for order = Part. + Code

Part. **S0905**



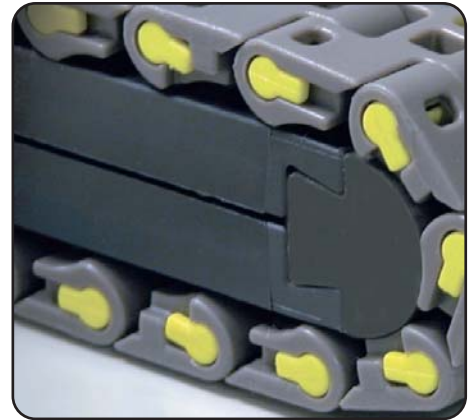
■ Modular "Nose - Over" bar standard profile



| Code          | Weight Kg |
|---------------|-----------|
| <b>655711</b> | 0,18      |

- Material : clamp in polyamide PA (black), sliding profile in Nylatron®.
- Packaging : 1 pieces.

- Use of Part. S0905  
Head to tail transfer with MatTop® chain Series 1500.

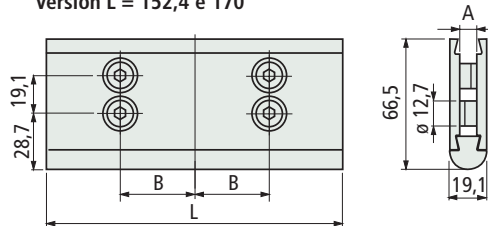


Part. **S0905**

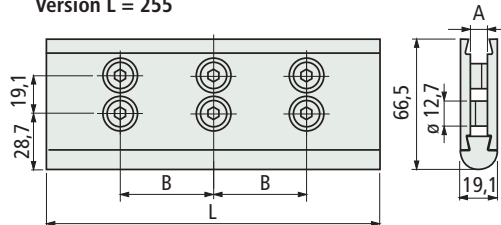


■ Modular "Nose - Over" bar low profile

Version L = 152,4 e 170



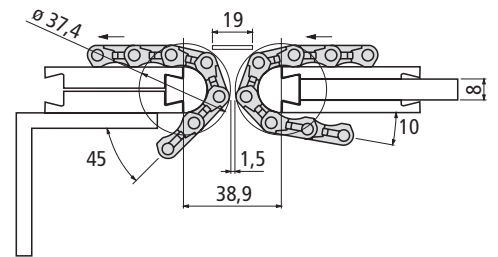
Version L = 255



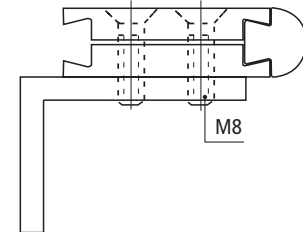
| L mm  | B mm | Hardware | A         | Code          | Weight Kg |
|-------|------|----------|-----------|---------------|-----------|
| 152,4 | 38,1 | M6       | 8 mm      | <b>655721</b> | 0,18      |
|       |      | 1/4-20   | 0,25 inch | <b>655731</b> |           |
| 170   | 42,5 | M6       | 8 mm      | <b>656301</b> | 0,20      |
| 255   | 85   | M6       | 8 mm      | <b>656291</b> | 0,31      |

- Material : clamp in polyamide PA (black), sliding profile in Nylatron®, steel hardware.
- Packaging : 1 pieces.

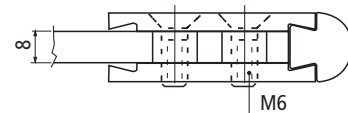
- Assembly of Part. S0905



- Modular nose - over bar standard  
N4 M8 socketed flat head cap screws UNI 5933.



- Assembly of "Nose - Over" bar with 8 mm plate



● Best choice

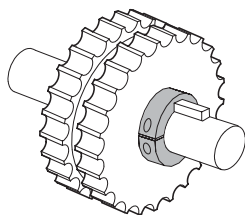
● Standard

● On request : minimum quantity may apply. Consult our Customer Service for availability.

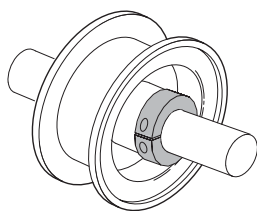
Item code for order = Part. + Code

## • Assembly of Part. S0612 (with round bore)

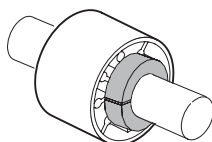
- With sprockets



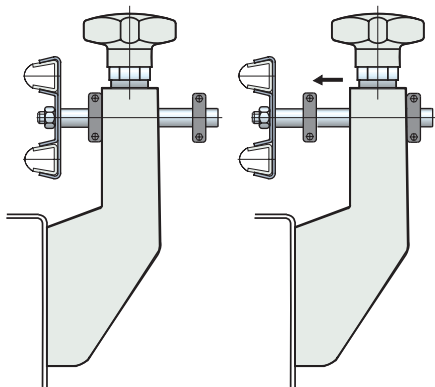
- With idler wheels



- With rollers

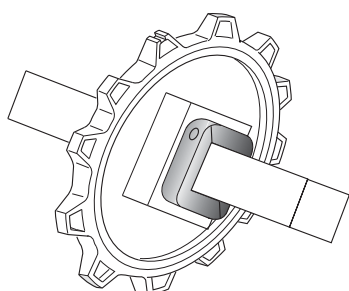


- With side brackets

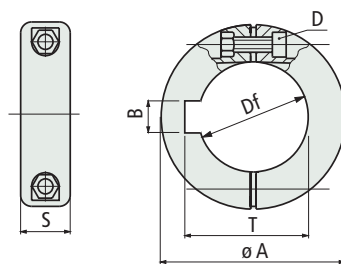


## • Assembly Part. S0612 (with square bore)

- Ideal for the locking of MatTop® sprockets.
- Version in reinforced Polyamide PA FV, gives better resistance at high temperatures.
- Version in reinforced Polypropylene PP FV, gives better resistance against chemical agents.



## ■ Split shaft collar (with round bore)



| Bore dia. |    | ø A | S | B | T | D | Code | Weight |
|-----------|----|-----|---|---|---|---|------|--------|
| Df        | mm |     |   |   |   |   |      |        |

### Without seat keyway

|    |        |      |      |   |   |    |        |       |
|----|--------|------|------|---|---|----|--------|-------|
| 12 | -      | 30   | 11,7 | - | - | M4 | 655062 | -     |
| -  | 1/2"   | 30   | 11,7 | - | - | M4 | 655072 | -     |
| 14 | -      | 30   | 11,7 | - | - | M4 | 655082 | -     |
| 16 | 5/8"   | 35   | 11,7 | - | - | M4 | 655092 | -     |
| 18 | -      | 40   | 14   | - | - | M4 | 614712 | 0,018 |
| -  | 3/4"   | 40   | 14   | - | - | M4 | 655102 | -     |
| 20 | -      | 40   | 14   | - | - | M4 | 614722 | 0,019 |
| 25 | -      | 45   | 14   | - | - | M4 | 619452 | 0,022 |
| 30 | -      | 50   | 16   | - | - | M4 | 640602 | 0,026 |
| -  | 1 1/4" | 50   | 16   | - | - | M4 | 608463 | -     |
| 35 | -      | 63,5 | 18   | - | - | M5 | 621553 | 0,030 |
| -  | 1 1/2" | 63,5 | 18   | - | - | M5 | 611283 | -     |
| 40 | -      | 63,5 | 18   | - | - | M5 | 686232 | 0,040 |

### With seat keyway

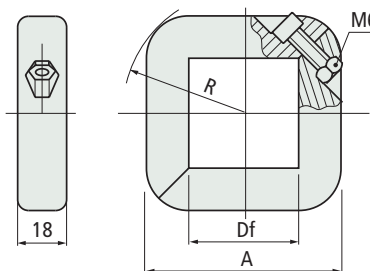
|    |         |      |    |      |       |    |        |       |
|----|---------|------|----|------|-------|----|--------|-------|
| 25 | -       | 45   | 14 | 8    | 28,3  | M4 | 683812 | 0,022 |
| -  | 1"      | 45   | 14 | 6,4  | 28,58 | M4 | 655112 | -     |
| 30 | -       | 50   | 16 | 8    | 33,3  | M4 | 614732 | 0,026 |
| -  | 1 1/4"  | 50   | 16 | 6,4  | 34,98 | M4 | 655122 | -     |
| 35 | -       | 63,5 | 18 | 10   | 38,3  | M5 | 614742 | 0,030 |
| -  | 1 7/16" | 63,5 | 18 | 9,58 | 41,02 | M5 | 605043 | -     |
| -  | 1 1/2"  | 63,5 | 18 | 9,58 | 42,65 | M5 | 655132 | -     |
| 40 | -       | 63,5 | 18 | 12   | 43,3  | M5 | 615012 | 0,040 |

- Material : collar in reinforced polyamide PA FV (black), tightening bolt in austenitic stainless steel.

- Max recommended tightening torque : 0,3 Kgm.

- Packaging : 100 pieces.

## ■ Split shaft collar (with square bore)



| Square bore | Df | Material Polyamide PAFV (black) | Material Polypropylene PPFV (black) | Material Polypropylene PPFV (white) | A | R | Code |      |
|-------------|----|---------------------------------|-------------------------------------|-------------------------------------|---|---|------|------|
|             |    |                                 |                                     |                                     |   |   | mm   | inch |

### Version with metric bore

|       |   |        |        |        |    |    |  |  |
|-------|---|--------|--------|--------|----|----|--|--|
| 40x40 | - | 692952 | 689852 | 693372 | 72 | 44 |  |  |
| 60x60 | - | 692962 | 689862 | 693382 | 95 | 58 |  |  |

### Version with inch bore

|   |        |        |        |        |    |    |  |  |
|---|--------|--------|--------|--------|----|----|--|--|
| - | 1 1/2" | 692942 | 689842 | 693362 | 72 | 44 |  |  |
| - | 2 1/2" | 692972 | 689872 | 693392 | 95 | 58 |  |  |

- Material tightening bolt : austenitic stainless steel.

- Max recommended tightening torque : 0,5 Kgm.

- Packaging : 24 pieces.

## Part. S0612



## Part. S0612



● **Best choice**

● **Standard**

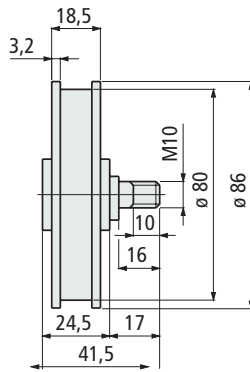
● **On request** : minimum quantity may apply. Consult our Customer Service for availability.

Item code for order = Part. + Code

Part. **S0079**



■ Winding tensioner



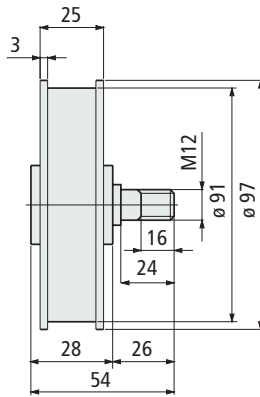
| Load gr. | Winding travel mm | Direction of travel | Code   |
|----------|-------------------|---------------------|--------|
| 0÷2000   | 2000              | right               | 672622 |
|          |                   | left                | 672632 |

- Noise reduction.
- Material : pulley in polyamide PA (orange), pin in brass.
- Packaging : 10 pieces.

Part. **S0075**



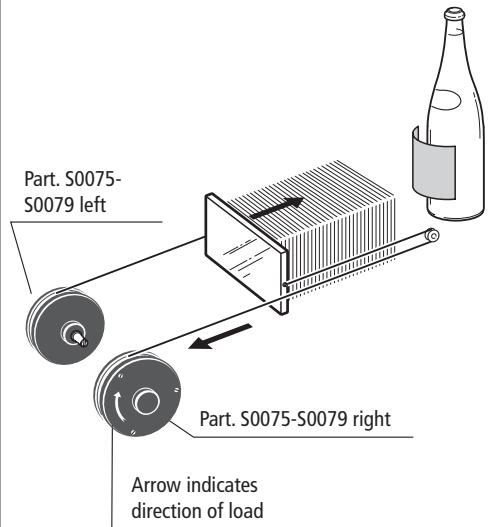
■ Winding tensioner



| Load gr. | Winding travel mm | Direction of travel | Code    |
|----------|-------------------|---------------------|---------|
| 0÷4000   | 2500              | right               | 672642N |
|          |                   | left                | 672652N |
| 0÷2800*  | 600               | right               | 672662N |
|          |                   | left                | 672672N |

- Noise reduction.
- \* = Unwinding the spring, the load is almost constant 10/20% loss of load).
- Material : pulley in reinforced polyamide PA FV (black), pin in brass.
- Packaging : 10 pieces.

• Assembly of Part. S0079-S0075



● **Best choice**

● **Standard**

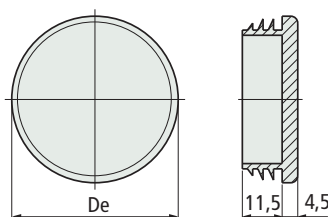
● **On request** : minimum quantity may apply. Consult our Customer Service for availability.

Item code for order = Part. + Code

• Assembly of Part. S0666



■ Closing caps (for round tubes)



Tube dimensions

| Outside dia. mm | Thickness min. mm | Thickness max. mm | Code   | De mm |
|-----------------|-------------------|-------------------|--------|-------|
| Ø 38,1          | 1                 | 3,5               | 671142 | 38    |
| Ø 42,4 (1" 1/4) | 1                 | 2,5               | 671152 | 42    |
| Ø 48,3 (1" 1/2) | 1,2               | 3,6               | 671162 | 48    |

- Material : polyethylene PE (black).
- Packaging : 50 pieces.

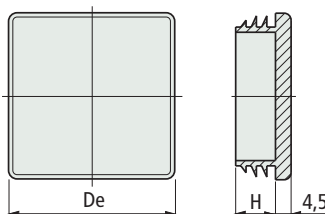
Part. **S0666**



• Assembly of Part. S0667



■ Closing caps (for square tubes)



Tube dimensions

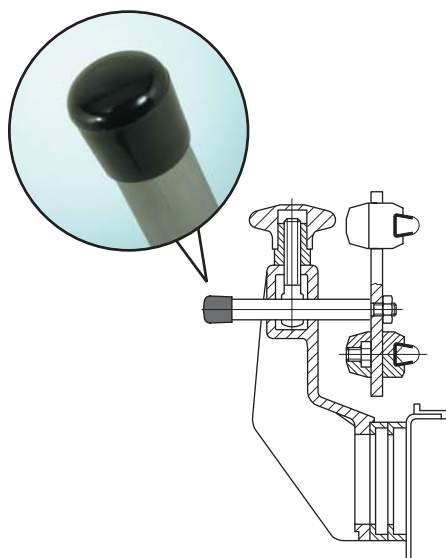
| Outside mm | Thickness min. mm | Thickness max. mm | Code   | De mm | H mm |
|------------|-------------------|-------------------|--------|-------|------|
| 40x40      | 1                 | 3                 | 671172 | 40    | 14   |
| 50x50      | 1                 | 2,5               | 671182 | 50    | 14,5 |

- Material : polyethylene PE (black).
- Packaging : 50 pieces.

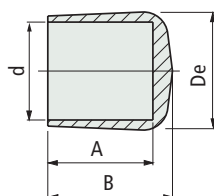
Part. **S0667**



• Assembly of Part. S0668



■ Safety caps (for round tubes)



| Pin dia. d mm | Code   |        | Ø De mm | A mm | B mm |
|---------------|--------|--------|---------|------|------|
|               | Black  | Orange |         |      |      |
| 12            | 671192 | 611263 | 16      | 15   | 18,5 |
| 14            | 671202 | 611273 | 18      | 16,5 | 21   |
| 16            | 671212 | -      | 20      | 22   | 26   |
| 20            | 671222 | -      | 24,5    | 21,5 | 25,5 |

- Material : PVC rubber.
- Packaging : 50 pieces.

Part. **S0668**



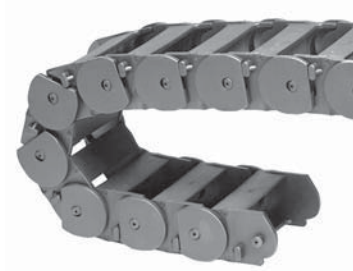
● Best choice

● Standard

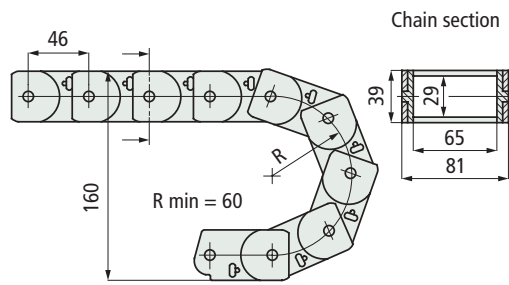
● On request : minimum quantity may apply. Consult our Customer Service for availability.

Item code for order = Part. + Code

Part. **S0112**



■ Cable carriage chain

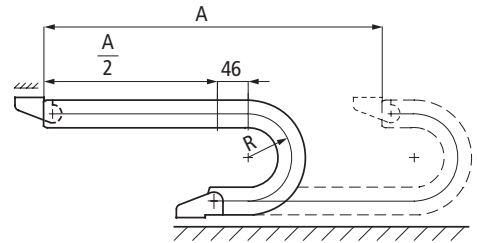


Code

51610

- Use : for carrying cables and hoses in the machine and protecting them from tensile and torsional stress.
- Material : polyamide PA (black).
- Assembly of engaged links : the engagement system allows a quick easy dismounting.
- Packaging : 5 metres.

• Calculation of chain length L



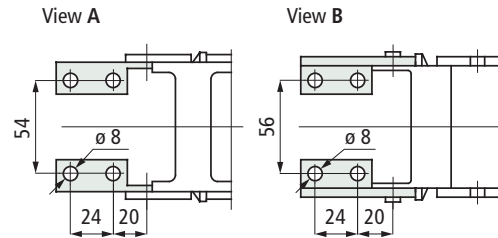
$$L = \frac{A}{2} + R + (46 \cdot 2)$$

- L = chain length (mm).
- A = chain stroke (mm).
- R = curving radius (mm).

Part. **S0114**



■ Attachments

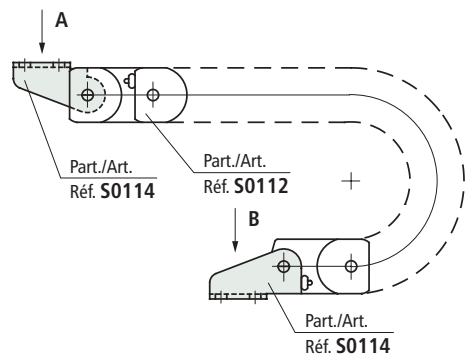


Code

59040

- Material : zinc plated steel.
- State of supply : complete with No. 4 connections.
- Packaging : 5 kit.

• Assembly of Part. S0114



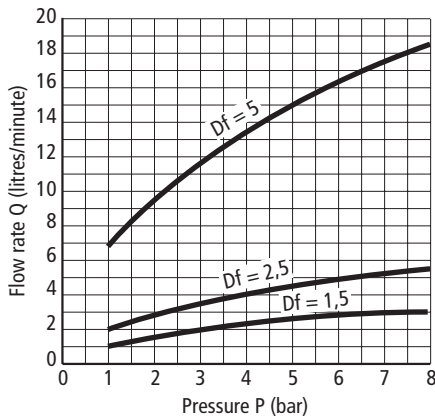
● Best choice

● Standard

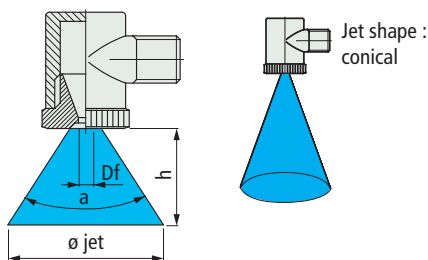
● On request : minimum quantity may apply. Consult our Customer Service for availability.

Item code for order = Part. + Code

### Capacity diagram of Part. S0019



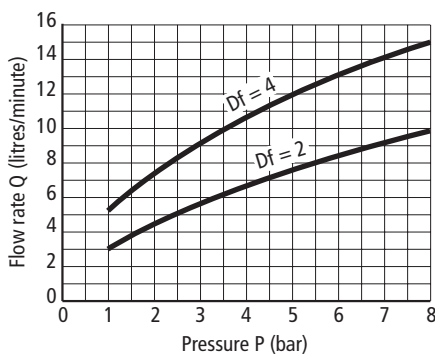
### Dimensions and jet shape of Part. S0019



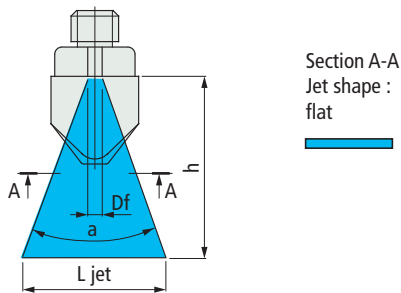
| Bore dia. Df mm | outlet angle a | Jet dia. mm | distance h mm |
|-----------------|----------------|-------------|---------------|
| 1,5             | 18             | 160         | 500           |
| 2,5             | 22             | 200         | 500           |
| 5               | 60             | 600         | 500           |

Tests performed at 2 bar pressure.

### Capacity diagram of Part. S0018



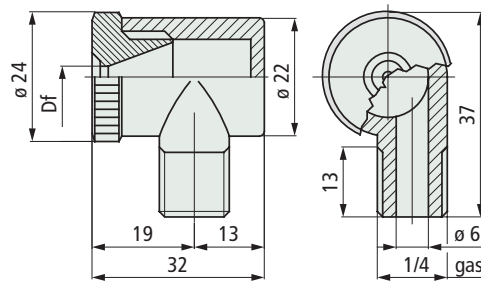
### Dimensions and jet shape of Part. S0018



| Bore dia. Df mm | outlet angle a | Jet width L mm | distance h mm |
|-----------------|----------------|----------------|---------------|
| 2               | 28             | 250            | 500           |
| 4               | 18             | 160            | 500           |

Tests performed at 2 bar pressure.

### Conical shape



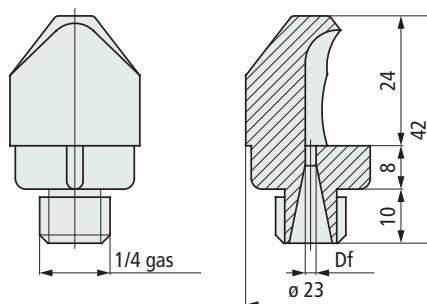
| Bore dia. Df mm | Code  |
|-----------------|-------|
| 15              | 51450 |
| 25              | 51460 |
| 5               | 51470 |

- Use : washing equipment.
- Material : polyamide PA (black).
- Max operating temperature in contact with hot water : 70° C.
- Packaging : 100 pieces.

## Part. S0019



### Flat shape



| Bore dia. Df mm | Code  |
|-----------------|-------|
| 2               | 51480 |
| 4               | 51490 |

- Use : washing equipment.
- Material : polyamide PA (white).
- Max operating temperature in contact with hot water : 70° C.
- Packaging : 200 pieces.

## Part. S0018



**Best choice**

**Standard**

**On request** : minimum quantity may apply. Consult our Customer Service for availability.

Item code for order = Part. + Code

**AUSTRALIA**

Rexnord Australia Pty. Ltd.  
Picton, New South Wales  
Phone: 61-2-4677-3811  
Fax: 61-2-4677-3812

**BRAZIL**

Rexnord Correntes Ltda.  
Sao Leopoldo - RS  
Phone: 55-51-579-8022  
Fax: 55-51-579-8029

**CANADA**

Rexnord Canada Ltd.  
Scarborough, Ontario  
Phone: 1-416-297-6868  
Fax: 1-416-297-6873

**CHINA**

Rexnord China  
Shanghai  
Phone: 86-21-62701942  
Fax: 86-21-62701943

**FLATTOP EUROPE**

Rexnord FlatTop Europe b.v.  
's-Gravenzande, The Netherlands  
Phone: 31-174-445-111  
Fax: 31-174-445-222

Rexnord Marbett S.r.L.  
Correggio (RE), Italy  
Phone: 39-0522-639333  
Fax: 39-0522-637778

**UNITED STATES**

Customer Service  
Phone: 1-866-REXNORD  
(1-866-739-6673)  
Fax: 1-614-675-1898  
E-mail: rexnordcs(state)@rexnord.com  
Example: rexnordcsohio@rexnord.com

Rexnord FlatTop North America  
Grafton, Wisconsin  
Phone: 1-262-376-4700  
Fax: 1-262-376-4720

Rexnord International - Power Transmission  
Milwaukee, Wisconsin  
Phone: 1-414-643-2366  
Fax: 1-414-643-3222  
E-mail: international2@rexnord.com

**ALL COUNTRIES NOT LISTED**

Rexnord FlatTop Europe b.v.  
's-Gravenzande, The Netherlands  
Phone: 31-174-445-111  
Fax: 31-174-445-222

**After Hours/Emergency Phone:**  
31-174-445-112



www.rexnordflattop.com  
flattopeurope@rexnord.com