

PRODUCT CATALOGUE
2009

MARBETT®
CONVEYOR COMPONENTS
SUPPORTING AND LEVELLING ELEMENTS
SELF-ALIGNING BEARINGS



FlatTop Europe

REXNORD
PRECISION. POWER. PERFORMANCE.

Oval flange bearing units BALM

SUCFX/C - SHCFX/C



- **Waterproof housing**
- **Grub screws or eccentric collar shaft locking**
- **PAFV polyamide housing**
High mechanical and heat resistance.
Proof to dust, humidity, washouts, steam, average aggressive chemical agents.
- **Solid flange bearings**
Closed surface structure, ideal for sanification.
- **BALM** is the new generation of MB bearings that allows to standardize one universal solution in place of both square and oval versions, and moreover can simplify and reduce the cost of the conveyor structure in the drive area.
BALM bearing is "self balanced", that means that bearing insert axis overlaps with the frame sheet axis: as a result torque and forces on the fixation screws are reduced and a smaller-cheaper frame to sustain the drive is possible.
There is no need for multiple fixation points.
Conveyor room requirement is significantly reduced.
Cap coupling is waterproof: the new cap fixation concept enables an effective assembly disassembly and is safely secured.

- **Material**
PA FV polyamide housing
 - Housing in reinforced polyamide PA FV resin (black)
 - Protection cover in polypropylene PP (orange) with Microban®
 - Seal and O-Ring in NBR rubber (black)
 - Ball type nickel plated brass greasing nipple
 - Reinforcing bushings on mounting holes and washers in stainless steel AISI 304.

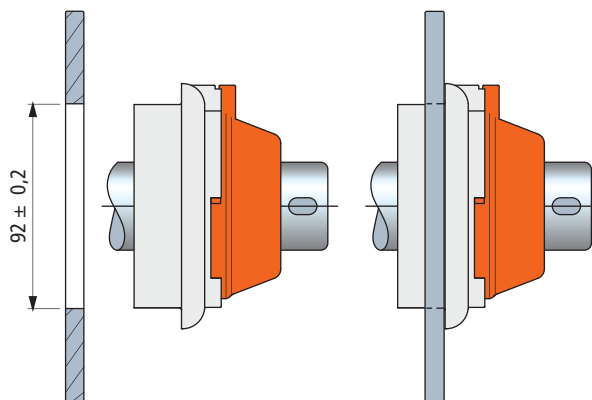
- **Continuous operating temperature**
in air : - 20 to + 60°C.

- **Maximum allowed misalignment : 2°.**

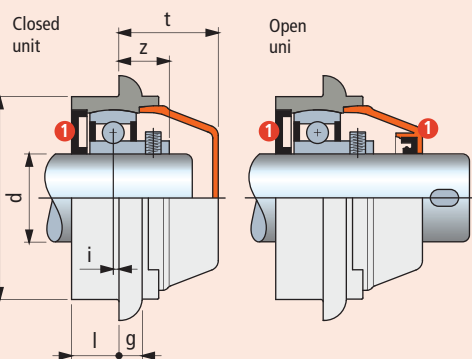
■ Bearing

- Series YAT (grub screws shaft locking)
- Series YET (eccentric collar shaft locking)
- Chrome alloy steel
- Superagriseal unit
- Prelubricated with lithium / calcium grease
- Can be relubricated.

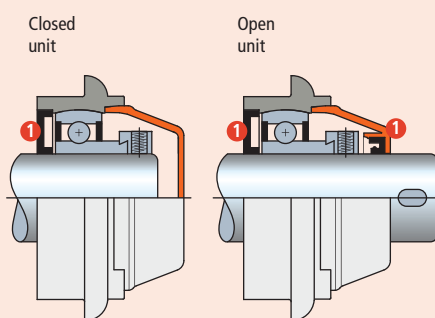
■ Assembly



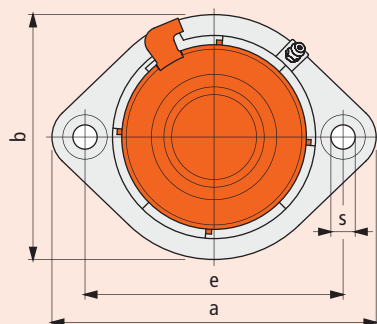
• Series SUCFX/C Grub screws shaft locking



• Series SHCFX/C Eccentric collar shaft locking



① Seal.



dia. d mm	Series	Housing material	Dimensions in mm											Weight Kg	Spare parts
		Polyamide PA FV Solid Flange (black) Cover (orange)	e	a	b	s	g	l	i	z	t	Db	Bearing		Weight Kg
Grub screws shaft locking • Closed unit															
30	SUCFX 206 C	630323	117	147	111	11	10,7	22	21,5	18,5	45	92	YAT 206	0,50	630443
35	SUCFX 207 C	630333	117	147	111	11	10,7	22	21,5	20,8	45	92	YAT 207	0,57	630443
40	SUCFX 208 C	630343	117	147	111	11	10,7	22	21,5	22,8	45	92	YAT 208	0,69	630443
Grub screws shaft locking • Open unit															
30	SUCFX 206 C	630353	117	147	111	11	10,7	22	21,5	18,5	45	92	YAT 206	0,50	630453
35	SUCFX 207 C	630363	117	147	111	11	10,7	22	21,5	20,8	45	92	YAT 207	0,57	630463
40	SUCFX 208 C	630373	117	147	111	11	10,7	22	21,5	22,8	45	92	YAT 208	0,69	630473
Eccentric collar shaft locking • Closed unit															
30	SHUCFX 206 C	630383	117	147	111	11	10,7	22	21,5	24,2	45	92	YET 206	0,58	630443
35	SHUCFX 207 C	630393	117	147	111	11	10,7	22	21,5	27	45	92	YET 207	0,75	630443
40	SHUCFX 208 C	630403	117	147	111	11	10,7	22	21,5	30,2	45	92	YET 208	0,88	630443
Eccentric collar shaft locking • Open unit															
30	SHUCFX 206 C	630413	117	147	111	11	10,7	22	21,5	24,2	45	92	YET 206	0,58	630453
35	SHUCFX 207 C	630423	117	147	111	11	10,7	22	21,5	27	45	92	YET 207	0,75	630463
40	SHUCFX 208 C	630433	117	147	111	11	10,7	22	21,5	30,2	45	92	YET 208	0,88	630473

Item code for order = B0000 + Code

Packaging : 6 pieces.

Oval flange bearing units

UCFLN/C - SUCFLN/C - HCFLN/C - SHCFLN/C



- **Waterproof housing**
- **Grub screws or eccentric collar shaft locking**
- **PA FV polyamide housing**
High mechanical and heat resistance.
Proof to dust, humidity, washouts, steam, average aggressive chemical agents.
- **PP FV polypropylene housing**
Proof to highly aggressive chemical agents.
Inferior loading ability.
- **Solid flange bearings**
They differ from standard flange versions for their closed surface structure, ideal for sanification.
- **Supports with Microban® antibacterial protection**
Microban® material is effective against the most common bacteria that may grow in foodstuff like E. Coli, Salmonella, Listeria, S-Aureus, Campylobacter.

Material

PA FV polyamide housing

- Housing in reinforced polyamide PA FV resin (black)
- Protection cover in polypropylene PP (orange) with Microban®
- Seal and O-Ring in NBR rubber (black)
- Ball type nickel plated brass greasing nipple
- Reinforcing bushings on mounting holes and washers in stainless steel AISI 304.

PA FV polyamide housing with Microban®

- Housing in reinforced polyamide PA FV resin (blue) with Microban®
- Protection cover in polypropylene PP (orange) with Microban®
- Seal and O-Ring in NBR rubber (black)
- Ball type nickel plated brass greasing nipple
- Reinforcing bushings on mounting holes and washers in stainless steel AISI 304.

PP FV polypropylene housing with Microban®

- Housing in reinforced polypropylene PP FV resin (white) with Microban®
- Protection cover in polypropylene PP (orange) with Microban®
- Seal and O-Ring in NBR rubber (black).
On request supplied in Viton rubber (brown).
Viton material offers high resistance to chemical agents
- Ball type stainless steel AISI 316 greasing nipple
- Reinforcing bushings on mounting holes and washers in stainless steel AISI 316.

Continuous operating temperature

in air : - 20 to + 60°C.

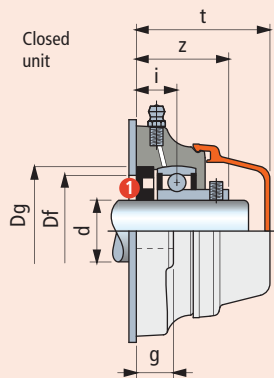
Maximum allowed misalignment : 2°.

Bearing

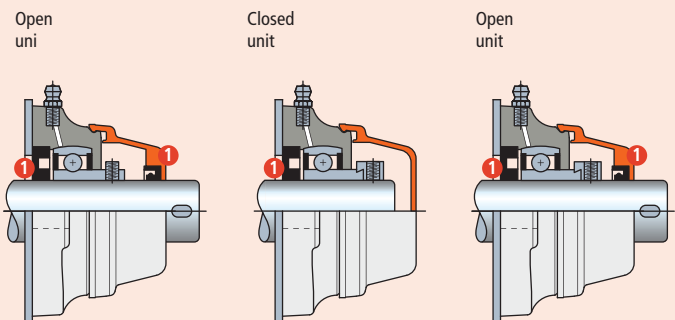


- Series YAT (grub screws shaft locking)
- Series YET (eccentric collar shaft locking)
- Chrome alloy steel
- Superagriseal unit
- Prelubricated with lithium / calcium grease
- Can be relubricated.

Series UCFLN/C Grub screws shaft locking



Series HCFLN/C Eccentric collar shaft locking



1 Seal.

UCFLN/C - SUCFLN/C - HCFLN/C - SHCFLN/C

dia. d mm	Series	Housing material			Dimensions in mm										Bore in frame ¹⁾ Df		Bearing	Weight Kg	Spare parts
		Polyamide PA FV Solid Flange (black) Cover (orange)	Polyamide PA FV with Microban® Solid Flange (blue) Cover (orange)	Polypropylene PP FV with Microban® Solid Flange (white) Cover (orange)	e	a	b	s	g	i	z	t	Dg	max.	min.	Code			
Grub screws shaft locking • Closed unit																			
17	UCFLN 203 C	629663	629743	629823	76,5	100	70	11	11	17,5	33,5	49	40	38	33	YAT 203	0,19	629903	
20*	SUCFLN 204 C	629673	629753	629833	76,5	100	70	11	11	15,2	33,5	49	47	45	40	YAT 204	0,21	629903	
25*	SUCFLN 205 C	625923	626003	626083	90	122	85	11	15	16,8	36,3	54	52	50	45	YAT 205	0,28	626203	
30	UCFLN 206 C	633443	633483	633523	117	149	85	11	15	20	40,6	55	62	60	50	YAT 206	0,37	63154	
30*	SUCFLN 206 C	625933	626013	626093	90	122	85	11	15	15	36	54	62	60	50	YAT 206	0,37	626203	
Grub screws shaft locking • Open unit																			
17	UCFLN 203 C	629683	629763	629843	76,5	100	70	11	11	17,5	33,5	49	40	38	33	YAT 203	0,19	629913	
20*	SUCFLN 204 C	629693	629773	629853	76,5	100	70	11	11	15,2	33,5	49	47	45	40	YAT 204	0,21	629923	
25*	SUCFLN 205 C	625943	626023	626103	90	122	85	11	15	16,8	36,3	54	52	50	45	YAT 205	0,28	626213	
30	UCFLN 206 C	633453	633493	633533	117	149	85	11	15	20	40,6	55	62	60	50	YAT 206	0,37	69965	
30*	SUCFLN 206 C	625953	626033	626113	90	122	85	11	15	15	36	54	62	60	50	YAT 206	0,37	626223	
Eccentric collar shaft locking • Closed unit																			
17	HCFLN 203 C	629703	629783	629863	76,5	100	70	11	11	17,5	39,6	49	40	38	33	YET 203	0,24	629903	
20*	SHCFLN 204 C	629713	629793	629873	76,5	100	70	11	11	15,2	38,7	49	47	45	40	YET 204	0,26	629903	
25*	SHCFLN 205 C	625963	626043	626123	90	122	85	11	15	16,8	40,3	54	52	50	45	YET 205	0,33	626203	
30	HCFLN 206 C	633463	633503	633543	117	149	85	11	15	20	46,7	55	62	60	50	YET 206	0,42	63154	
30*	SHCFLN 206 C	625973	626053	626133	90	122	85	11	15	15	41,5	54	62	60	50	YET 206	0,42	626203	
Eccentric collar shaft locking • Open unit																			
17	HCFLN 203 C	629723	629803	629883	76,5	100	70	11	11	17,5	39,6	49	40	38	33	YET 203	0,24	629913	
20*	SHCFLN 204 C	629733	629813	629893	76,5	100	70	11	11	15,2	38,7	49	47	45	40	YET 204	0,26	629923	
25*	SHCFLN 205 C	625983	626063	626143	90	122	85	11	15	16,8	40,3	54	52	50	45	YET 205	0,33	626213	
30	HCFLN 206 C	633473	633513	633553	117	149	85	11	15	20	46,7	55	62	60	50	YET 206	0,42	69965	
30*	SHCFLN 206 C	625993	626073	626153	90	122	85	11	15	15	41,5	54	62	60	50	YET 206	0,42	626223	

Item code for order = B0000 + Code

* = Version with special fixing holes.

¹⁾ = Dimensions Df max / Df min must be respected to ensure positive retention of the seals and to allow air bleeding during lubrication.

Packaging : 6 pieces.

Oval flange bearing units

UCFLN/CL - SUCFLN/CL - HCFLN/CL - SHCFLN/CL

LIFE LUBRICATED



Dry use recommended



- **Life lubricated**

The ball-bearings are pre-lubricated with a special grease keeping the bearing for its whole life. No need for re-lubrication (see page B74 to calculate the grease life)

- **Grub screws or eccentric collar shaft locking**

- **PAFV polyamide housing**

High mechanical and heat resistance. Proof to dust, humidity, washouts, steam, average aggressive chemical agents.

- **Solid flange bearings**

They differ from standard flange versions for their closed surface structure, ideal for sanification.

- **Supports with Microban® antibacterial protection**

Microban® material is effective against the most common bacteria that may grow in foodstuff like E. Coli, Salmonella, Listeria, S-Aureus Campylobacter.

- **Material**

PA FV polyamide housing

- Housing in reinforced polyamide PA FV resin (black)
- Protection cover in polypropylene PP (orange) with Microban®
- Seal and O-Ring in NBR rubber (black)
- Reinforcing bushings on mounting holes and washers in stainless steel AISI 304.

- **Continuous operating temperature**

in air : - 20 to + 60°C.

- **Maximum allowed misalignment : 2°.**

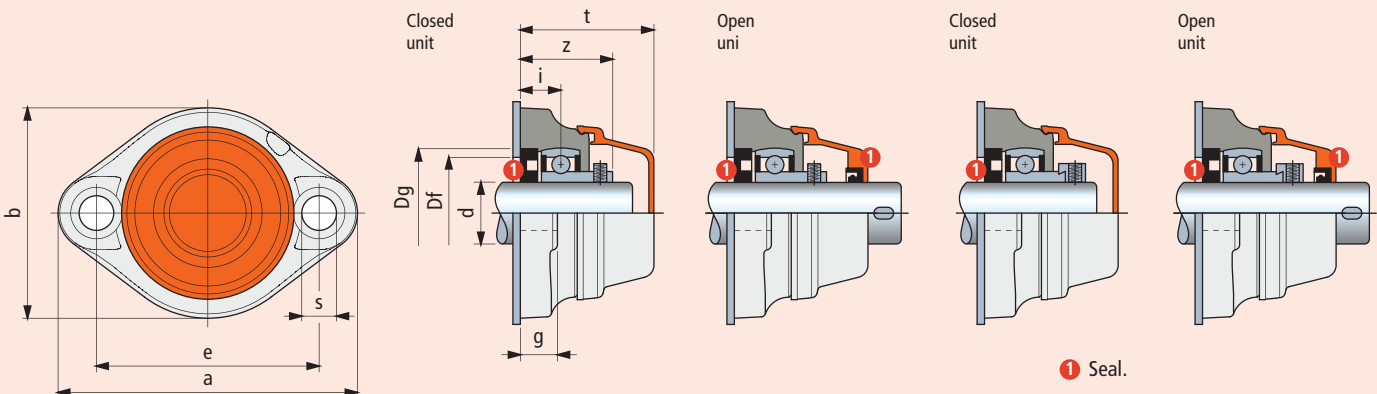
- **Bearing**



- Series YAT (grub screws shaft locking)
- Series YET (eccentric collar shaft locking)
- Chrome alloy steel
- Superagriseal unit
- Prelubricated with lithium / calcium grease, no need for re-lubrication.

- **Series UCFLN/CL**
Grub screws shaft locking

- **Series HCFLN/CL**
Eccentric collar shaft locking



1 Seal.

UCFLN/CL - SUCFLN/CL - HCFLN/CL - SHCFLN/CL

dia. d mm	Series	Housing material	Dimensions in mm									Bore in frame ¹⁾ Df		Bearing	Weight Kg	Spare parts
		Polyamide PA FV Solid Flange (black) Cover (orange) Code	e	a	b	s	g	i	z	t	Dg	max.	min.			Cover orange Code
Grub screws shaft locking • Closed unit																
17	UCFLN 203 CL	629663L	76,5	100	70	11	11	17,5	33,5	49	40	38	33	YAT 203	0,19	629903
20*	SUCFLN 204 CL	629673L	76,5	100	70	11	11	15,2	33,5	49	47	45	40	YAT 204	0,21	629903
25*	SUCFLN 205 CL	625923L	90	122	85	11	15	16,8	36,3	54	52	50	45	YAT 205	0,28	626203
30	UCFLN 206 CL	633443L	117	149	85	11	15	20	40,6	55	62	60	50	YAT 206	0,37	63154
30*	SUCFLN 206 CL	625933L	90	122	85	11	15	15	36	54	62	60	50	YAT 206	0,37	626203
Grub screws shaft locking • Open unit																
17	UCFLN 203 CL	629683L	76,5	100	70	11	11	17,5	33,5	49	40	38	33	YAT 203	0,19	629913
20*	SUCFLN 204 CL	629693L	76,5	100	70	11	11	15,2	33,5	49	47	45	40	YAT 204	0,21	629923
25*	SUCFLN 205 CL	625943L	90	122	85	11	15	16,8	36,3	54	52	50	45	YAT 205	0,28	626213
30	UCFLN 206 CL	633453L	117	149	85	11	15	20	40,6	55	62	60	50	YAT 206	0,37	69965
30*	SUCFLN 206 CL	625953L	90	122	85	11	15	15	36	54	62	60	50	YAT 206	0,37	626223
Eccentric collar shaft locking • Closed unit																
17	HCFLN 203 CL	629703L	76,5	100	70	11	11	17,5	39,6	49	40	38	33	YET 203	0,24	629903
20*	SHCFLN 204 CL	629713L	76,5	100	70	11	11	15,2	38,7	49	47	45	40	YET 204	0,26	629903
25*	SHCFLN 205 CL	625963L	90	122	85	11	15	16,8	40,3	54	52	50	45	YET 205	0,33	626203
30	HCFLN 206 CL	633463L	117	149	85	11	15	20	46,7	55	62	60	50	YET 206	0,42	63154
30*	SHCFLN 206 CL	625973L	90	122	85	11	15	15	41,5	54	62	60	50	YET 206	0,42	626203
Eccentric collar shaft locking • Open unit																
17	HCFLN 203 CL	629723L	76,5	100	70	11	11	17,5	39,6	49	40	38	33	YET 203	0,24	629913
20*	SHCFLN 204 CL	629733L	76,5	100	70	11	11	15,2	38,7	49	47	45	40	YET 204	0,26	629923
25*	SHCFLN 205 CL	625983L	90	122	85	11	15	16,8	40,3	54	52	50	45	YET 205	0,33	626213
30	HCFLN 206 CL	633473L	117	149	85	11	15	20	46,7	55	62	60	50	YET 206	0,42	69965
30*	SHCFLN 206 CL	625993L	90	122	85	11	15	15	41,5	54	62	60	50	YET 206	0,42	626223

Item code for order = B0000 + Code

* = Version with special fixing holes.

Packaging : 6 pieces.

Oval flange bearing units

UCFLN - SUCFLN - HCFLN - SHCFLN



Accessories

Material

PA FV polyamide housing

- Housing in reinforced polyamide PA FV resin (black)
- Ball type nickel plated brass greasing nipple
- Reinforcing bushings on mounting holes and washers in stainless steel AISI 304.

PA FV polyamide housing with Microban®

- Housing in reinforced polyamide PAFV resin (blue) with Microban®
- Bearing in stainless steel AISI 420 • Ball type nickel plated brass greasing nipple
- Reinforcing bushings on mounting holes and washers in stainless steel AISI 304.

PP FV polypropylene housing with Microban®

- Housing in reinforced polypropylene PP FV resin (white) with Microban®
- Bearing in stainless steel AISI 420
- Ball type stainless steel AISI 316 greasing nipple
- Reinforcing bushings on mounting holes and washers in stainless steel AISI 316.

Continuous operating temperature

in air : - 20 to + 60°C.

Maximum allowed misalignment : 2°.

Bearing

- Series YAR 2F (grub screws shaft locking, chrome alloy steel, Supergriseal unit plus centrifuging ring)
- Series YAR 2RF (grub screws shaft locking, stainless steel AISI 420, Supergriseal unit plus rubberised centrifuging ring)
- Series YAT (grub screws shaft locking, chrome alloy steel, Supergriseal unit)
- Series YET (eccentric collar shaft locking, chrome alloy steel, Supergriseal unit)
- Prelubricated with lithium / calcium grease • Can be relubricated.

Grub screws or eccentric collar shaft locking

Version with bearing YAR 2F

The double ring guarantees maximum protection against dust and non-corrosive substances.

Version with stainless steel bearing YAR 2RF

AISI 420 stainless steel bearing with 2 rubberised rings, provides excellent seal against humidity, steams, liquids, medium corrosive chemical agents. Maximum load ability is inferior.

Version with bearing YAT

The rubberised ring guarantees maximum protection against dusts.

Supports with Microban® antibacterial protection

Microban® material is effective against the most common bacteria that may grow in foodstuff like E. Coli, Salmonella, Listeria, S-Aureus, Campylobacter.

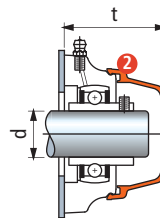
Material

Polyamide PA FV guarantees maximum strength and high-temperature resistance.

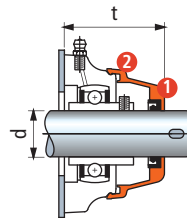
Polypropylene PP FV offers excellent resistance to chemical agents but inferior load ability.

Protection covers (accessories)

Closed cover



Open cover



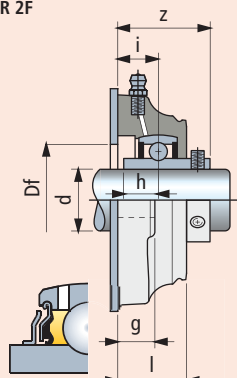
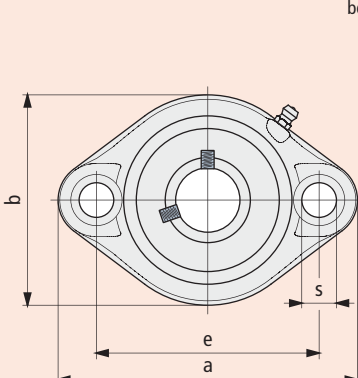
- 1 Seals
- 2 Seals O-Ring

dia. d mm	Accessories			
	Cover orange	t mm	UCFL	HCFL
	Code			
Closed cover supplied with seals				
17	629903	49	49	
20*	629903	49	49	
25*	626203	54	54	
30	63154	55	55	
30*	626203	54	54	
Open cover supplied with seals				
17	629913	49	49	
20*	629923	49	49	
25*	626213	54	54	
30	69965	55	55	
30*	626223	54	54	

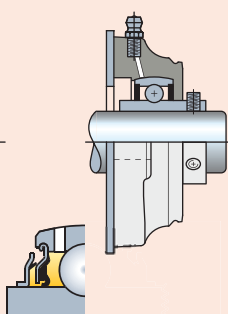
* = Version with special fixing holes.

**Series UCFLN
Grub screws shaft locking**

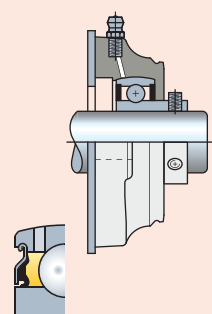
Version with bearing YAR 2F



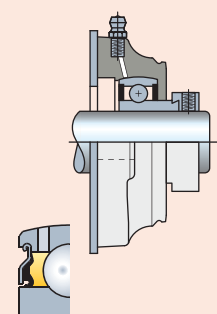
Version with bearing YAR 2RF



Version with bearing YAT



**Series HCFLN
Eccentric collar shaft locking**



UCFLN - SUCFLN - HCFLN - SHCFLN

dia. d mm	Series	Housing material			Dimensions in mm										Bore in frame Df mm	Bearing	Weight Kg
		Polyamide PA FV Solid Flange (black)	Polyamide PA FV with Microban® Solid Flange (blue)	olypropylene PP FV with Microban® olid Flange (white)	e	a	b	s	g	i	h	l	z				
		Code															
Grub screws shaft locking • Version with bearing YAR 2F																	
17	UCFLN 203	633563	-	-	76,5	100	70	11	11	17,5	11,5	25,5	33,5	21	YAR 203 2F	0,13	
20*	SUCFLN 204	633573	-	-	76,5	100	70	11	11	15,2	12,7	25,5	33,5	24	YAR 204 2F	0,15	
25*	SUCFLN 205	633583	-	-	90	122	85	11	15	16,8	14,3	28	36,3	29	YAR 205 2F	0,20	
30	UCFLN 206	633593	-	-	117	149	85	11	15	20	15,9	32,5	40,6	34	YAR 206 2F	0,29	
30*	SUCFLN 206	633603	-	-	90	122	85	11	15	15	15,9	28	36	34	YAR 206 2F	0,29	
Grub screws shaft locking • Version with stainless steel bearing YAR 2RF																	
20*	SUCFLN 204	633613	633753	633893	76,5	100	70	11	11	15,2	12,7	25,5	33,5	24	YAR 204 2RF	0,15	
25*	SUCFLN 205	633623	633763	633903	90	122	85	11	15	16,8	14,3	28	36,3	29	YAR 205 2RF	0,20	
30	UCFLN 206	633633	633773	633913	117	149	85	11	15	20	15,9	32,5	40,6	34	YAR 206 2RF	0,29	
30*	SUCFLN 206	633643	633783	633923	90	122	85	11	15	15	15,9	28	36	34	YAR 206 2RF	0,29	
Grub screws shaft locking • Version with bearing YAT																	
17	UCFLN 203	633653	633793	633933	76,5	100	70	11	11	17,5	-	25,5	39,6	21	YAT 203	0,13	
20*	SUCFLN 204	633663	633803	633943	76,5	100	70	11	11	15,2	-	25,5	38,7	24	YAT 204	0,15	
25*	SUCFLN 205	633673	633813	633953	90	122	85	11	15	16,8	-	28	40,3	29	YAT 205	0,20	
30	UCFLN 206	633683	633823	633963	117	149	85	11	15	20	-	32,5	46,7	34	YAT 206	0,29	
30*	SUCFLN 206	633693	633833	633973	90	122	85	11	15	15	-	28	41,5	34	YAT 206	0,29	
Eccentric collar shaft locking																	
17	HCFLN 203	633703	633843	633983	76,5	100	70	11	11	17,5	-	25,5	39,6	21	YET 203	0,16	
20*	SHCFLN 204	633713	633853	633993	76,5	100	70	11	11	15,2	-	25,5	38,7	24	YET 204	0,18	
25*	SHCFLN 205	633723	633863	634003	90	122	85	11	15	16,8	-	28	40,3	29	YET 205	0,25	
30	HCFLN 206	633733	633873	634013	117	149	85	11	15	20	-	32,5	46,7	34	YET 206	0,34	
30*	SHCFLN 206	633743	633883	634023	90	122	85	11	15	15	-	28	41,5	34	YET 206	0,34	

Item code for order = B0000 + Code

* = Version with special fixing holes.

Packaging : 6 pieces.

Oval flange bearing units

UCFL/C - SUCFL/C - HCFL/C - SHCFL/C



- **Waterproof housing**
- **Grub screws or eccentric collar shaft locking**
- **PA FV polyamide housing**
High mechanical and heat resistance.
Proof to dust, humidity, washouts, steam, average aggressive chemical agents.
- **PP FV polypropylene housing**
Proof to highly aggressive chemical agents.
Inferior loading ability.
- **Solid flange bearings**
They differ from standard flange versions for their closed surface structure, ideal for sanification.
- **Supports with Microban® antibacterial protection**
Microban® material is effective against the most common bacteria that may grow in foodstuff like E. Coli, Salmonella, Listeria, S-Aureus, Campylobacter.



Material

PA FV polyamide housing

- Housing in reinforced polyamide PA FV resin (black)
- Protection cover in polypropylene PP (orange) with Microban®
- Seal and O-Ring in NBR rubber (black)
- Ball type nickel plated brass greasing nipple
- Reinforcing bushings on mounting holes and washers in stainless steel AISI 304.

PA FV polyamide housing with Microban®

- Housing in reinforced polyamide PA FV resin (blue) with Microban®
- Protection cover in polypropylene PP (orange) with Microban®
- Seal and O-Ring in NBR rubber (black)
- Ball type nickel plated brass greasing nipple
- Reinforcing bushings on mounting holes and washers in stainless steel AISI 304.

PP FV polypropylene housing with Microban®

- Housing in reinforced polypropylene PP FV resin (white) with Microban®
- Protection cover in polypropylene PP (orange) with Microban®
- Seal and O-Ring in NBR rubber (black).
On request supplied in Viton rubber (brown).
Viton material offers high resistance to chemical agents
- Ball type stainless steel AISI 316 greasing nipple
- Reinforcing bushings on mounting holes and washers in stainless steel AISI 316.

Continuous operating temperature

in air : - 20 to + 60°C.

Maximum allowed misalignment : 2°.

Bearing

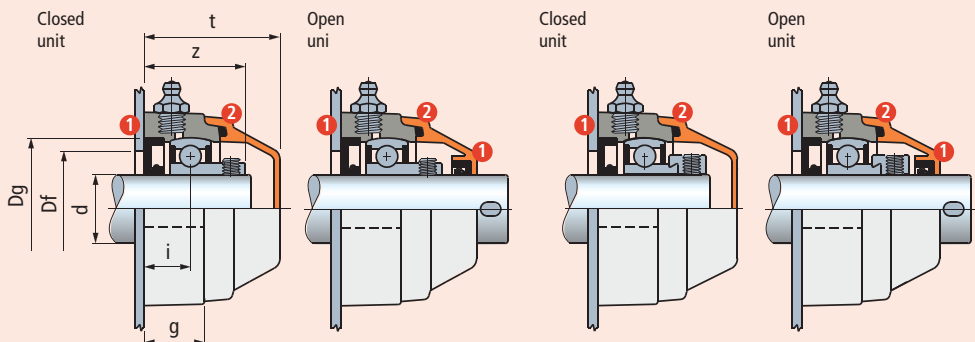
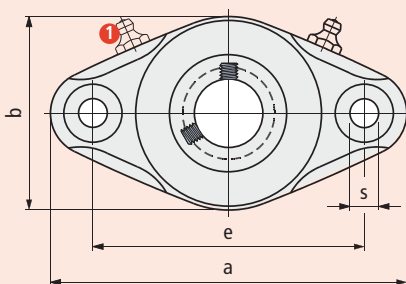


- Series YAT (grub screws shaft locking)
- Series YET (eccentric collar shaft locking)
- Chrome alloy steel
- Superagriseal unit
- Prelubricated with lithium / calcium grease
- Can be relubricated.

Series UCFL/C Grub screws shaft locking

Series HCFL/C Eccentric collar shaft locking

1 Only for series 206



- 1 Seal.
- 2 O-Ring.

UCFL/C - SUCFL/C - HCFL/C - SHCFL/C

dia. d mm	Series	Housing material			Dimensions in mm										Bore in frame ²⁾ Df		Weight Kg	Spare parts	
		Polyamide PA FV Standard Flange (black) Cover (orange)	Polyamide PA FV with Microban® Solid Flange (blue) Cover (orange)	Polypropylene PP FV with Microban® Solid Flange (white) Cover (orange)	e	a	b	s	g	i	z	t	Dg	max.	min.	Bearing		Code	
Grub screws shaft locking • Closed unit																			
17*	SUCFL 203 C	603763	603783	603803	90	116	62	11	20	15,2	31,1	46	40	38	33	YAT 203	0,22	681942	
20	UCFL 204 C	69016	650972	679652	90	116	62	11	20	15,2	33,5	46	47	45	40	YAT 204	0,25	681942	
25	UCFL 205 C	68523	650982	679662	99	130	71	11	22,5	16,8	36,3	49,5	52	50	45	YAT 205	0,33	681952	
25*	SUCFL 205 C	687562 ¹⁾	687642	687722	90	130	71	11	22,5	16,8	36,3	49,5	52	50	45	YAT 205	0,33	681952	
30	UCFL 206 C	68399	650992	679672	117	148	85	11	26	20	41	56	62	60	50	YAT 206	0,42	63154	
30*	SUCFL 206 C	687572 ¹⁾	687652	687732	99	148	85	11	26	20	41	56	62	60	50	YAT 206	0,42	63154	
35	UCFL 207 C	648131	651002	679682	130	162	93	11	26	19,5	45	59	72	70	55	YAT 207	0,65	682022	
35*	SUCFL 207 C	697702 ¹⁾	697782	697862	117	148	112	11	26	19,5	43	62	72	70	55	YAT 207	0,70	63539	
40	UCFL 208 C	672411	651012	679692	144	176	102	11	30	22	47,3	65,5	80	78	65	YAT 208	0,90	63539	
40*	SUCFL 208 C	697712 ¹⁾	697792	697872	117	148	112	11	26	19	45	62	80	78	65	YAT 208	0,74	63539	
Grub screws shaft locking • Open unit																			
17*	SUCFL 203 C	603813	603833	603853	90	116	62	11	20	15,2	31,1	46	40	38	33	YAT 203	0,22	696162	
20	UCFL 204 C	69026	651072	679702	90	116	62	11	20	15,2	33,5	46	47	45	40	YAT 204	0,25	681962	
25	UCFL 205 C	68533	651082	679712	99	130	71	11	22,5	16,8	36,3	49,5	52	50	45	YAT 205	0,33	681972	
25*	SUCFL 205 C	687582 ¹⁾	687662	687742	90	130	71	11	22,5	16,8	36,3	49,5	52	50	45	YAT 205	0,33	681972	
30	UCFL 206 C	68409	651092	679722	117	148	85	11	26	20	41	56	62	60	50	YAT 206	0,42	69965	
30*	SUCFL 206 C	687592 ¹⁾	687672	687752	99	148	85	11	26	20	41	56	62	60	50	YAT 206	0,42	69965	
35	UCFL 207 C	648141	651102	679732	130	162	93	11	26	19,5	45	59	72	70	55	YAT 207	0,65	682032	
35*	SUCFL 207 C	697722 ¹⁾	697802	697882	117	148	112	11	26	19,5	43	62	72	70	55	YAT 207	0,70	615692	
40	UCFL 208 C	672421	651112	679742	144	176	102	11	30	22	47,3	65,5	80	78	65	YAT 208	0,90	63549	
40*	SUCFL 208 C	697732 ¹⁾	697812	697892	117	148	112	11	26	19	45	62	80	78	65	YAT 208	0,74	63549	
Eccentric collar shaft locking • Closed unit																			
17*	SHCFL 203 C	603863	603883	603903	90	116	62	11	20	15,2	37,3	49	40	38	33	YET 203	0,27	681942	
20	HCFL 204 C	679052	679352	679752	90	116	62	11	20	15,2	38,7	49	47	45	40	YET 204	0,30	681942	
25	HCFL 205 C	679062	679362	679762	99	130	71	11	22,5	16,8	40,3	49,5	52	50	45	YET 205	0,37	681952	
25*	SHCFL 205 C	687602 ¹⁾	687682	687762	90	130	71	11	22,5	16,8	40,3	49,5	52	50	45	YET 205	0,37	681952	
30	HCFL 206 C	679072	679372	679772	117	148	85	11	26	20	46,7	56	62	60	50	YET 206	0,49	63154	
30*	SHCFL 206 C	687612 ¹⁾	687692	687772	99	148	85	11	26	20	46,7	56	62	60	50	YET 206	0,49	63154	
35	HCFL 207 C	679082	679382	679782	130	162	93	11	26	19,5	48,9	59	72	70	55	YET 207	0,83	682022	
35*	SHCFL 207 C	697742 ¹⁾	697822	697902	117	148	112	11	26	19,5	48,4	62	72	70	55	YET 207	0,88	63539	
40	HCLF 208 C	679092	679392	679792	144	176	102	11	30	22	54,7	71	80	78	65	YET 208	1,09	600882	
40*	SHCFL 208 C	697752 ¹⁾	697832	697912	117	148	112	11	26	19	51,7	68	80	78	65	YET 208	0,93	600882	
Eccentric collar shaft locking • Open unit																			
17*	SHCFL 203 C	603913	603933	603953	90	116	62	11	20	15,2	37,3	49	40	38	33	YET 203	0,27	696162	
20	HCFL 204 C	679102	679402	679802	90	116	62	11	20	15,2	38,7	49	47	45	40	YET 204	0,30	681962	
25	HCFL 205 C	679112	679412	679812	99	130	71	11	22,5	16,8	40,3	49,5	52	50	45	YET 205	0,37	681972	
25*	SHCFL 205 C	687622 ¹⁾	687702	687782	90	130	71	11	22,5	16,8	40,3	49,5	52	50	45	YET 205	0,37	681972	
30	HCFL 206 C	679122	679422	679822	117	148	85	11	26	20	46,7	56	62	60	50	YET 206	0,49	69965	
30*	SHCFL 206 C	687632 ¹⁾	687712	687792	99	148	85	11	26	20	46,7	56	62	60	50	YET 206	0,49	69965	
35	HCFL 207 C	679132	679432	679832	130	162	93	11	26	19,5	48,9	59	72	70	55	YET 207	0,83	682032	
35*	SHCFL 207 C	697762 ¹⁾	697842	697922	117	148	112	11	26	19,5	48,4	62	72	70	55	YET 207	0,88	615692	
40	HCFL 208 C	679142	679442	679842	144	176	102	11	30	23	54,7	54,7	80	78	65	YET 208	1,09	600892	
40*	SHCFL 208 C	697772	697852	697932	117	148	112	11	26	19	51,7	68	80	78	65	YET 208	0,93	600892	

Item code for order = B0000 + Code

* = Version with special fixing holes.

SUCFL206C/SHCFL206C : Assembly with cylindrical head screws.

¹⁾ = Solid flange.

²⁾ = Dimensions Df max / Df min must be respected to ensure positive retention of the seals and to allow air bleeding during lubrication.

Packaging : 6 pieces.

 Best choice

 Standard

 On request

Oval flange bearing units

UCFL/CL - SUCFL/CL - HCFL/CL - SHCFL/CL

LIFE LUBRICATED



Dry use recommended



- **Life lubricated**

The ball-bearings are pre-lubricated with a special grease keeping the bearing for its whole life. No need for re-lubrication (see page B74 to calculate the grease life)

- **Grub screws or eccentric collar shaft locking**

- **PAFV polyamide housing**

High mechanical and heat resistance. Proof to dust, humidity, washouts, steam, average aggressive chemical agents.

- **Solid flange bearings**

They differ from standard flange versions for their closed surface structure, ideal for sanification.

- **Supports with Microban® antibacterial protection**

Microban® material is effective against the most common bacteria that may grow in foodstuff like E. Coli, Salmonella, Listeria, S-Aureus Campylobacter.



- **Material**

- **PA FV polyamide housing**

- Housing in reinforced polyamide PA FV resin (black)
 - Protection cover in polypropylene PP (orange) with Microban®
 - Seal and O-Ring in NBR rubber (black)
 - Reinforcing bushings on mounting holes and washers in stainless steel AISI 304.

- **Continuous operating temperature**

in air : - 20 to + 60°C.

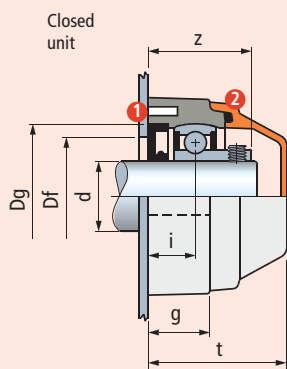
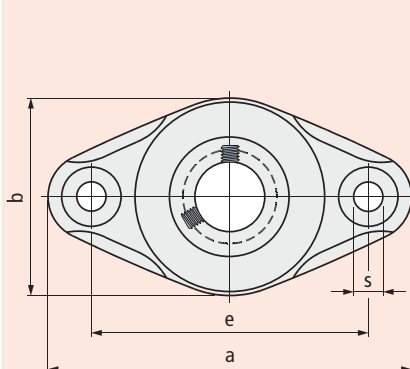
- **Maximum allowed misalignment : 2°.**

- **Bearing**

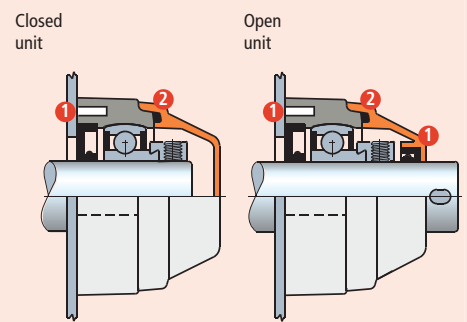


- Series YAT (grub screws shaft locking)
- Series YET (eccentric collar shaft locking)
- Chrome alloy steel
- Superagriseal unit
- Prelubricated with lithium / calcium grease, no need for re-lubrication.

- **Series UCFL/CL**
Grub screws shaft locking



- **Series HCFL/CL**
Eccentric collar shaft locking



- 1 Seal.
- 2 O-Ring.

UCFL/CL - SUCFL/CL - HCFL/CL - SHCFL/CL

dia. d mm	Series	Housing material	Dimensions in mm										Bore in frame Df		Weight Kg	Spare parts
		Polyamide PA FV Standard Flange (black) Cover (orange) Code	e	a	b	s	g	i	z	t	Dg	max.	min.	Bearing		Cover orange Code
Grub screws shaft locking • Closed unit																
20	UCFL 204 CL	69016L	90	116	62	11	20	15,2	33,5	46	47	45	40	YAT 204	0,25	681942
25	UCFL 205 CL	68523L	99	130	71	11	22,5	16,8	36,3	49,5	52	50	45	YAT 205	0,33	681952
25*	SUCFL 205 CL	687562L ¹⁾	90	130	71	11	22,5	16,8	36,3	49,5	52	50	45	YAT 205	0,33	681952
30	UCFL 206 CL	68399L	117	148	85	11	26	20	41	56	62	60	50	YAT 206	0,42	63154
30*	SUCFL 206 CL	687572L ¹⁾	99	148	85	11	26	20	41	56	62	60	50	YAT 206	0,42	63154
35	UCFL 207 CL	648131L	130	162	93	11	26	19,5	45	59	72	70	55	YAT 207	0,65	682022
35*	SUCFL 207 CL	697702L ¹⁾	117	148	112	11	26	19,5	43	62	72	70	55	YAT 207	0,70	63539
40	UCFL 208 CL	672411L	144	176	102	11	30	23	52	65,5	80	78	65	YAT 208	0,90	63539
40*	SUCFL 208 CL	697712L ¹⁾	117	148	112	11	26	19	45	62	80	78	65	YAT 208	0,74	63539
Grub screws shaft locking • Open unit																
20	UCFL 204 CL	69026L	90	116	62	11	20	15,2	33,5	46	47	45	40	YAT 204	0,25	681962
25	UCFL 205 CL	68533L	99	130	71	11	22,5	16,8	36,3	49,5	52	50	45	YAT 205	0,33	681972
25*	SUCFL 205 CL	687582L ¹⁾	90	130	71	11	22,5	16,8	36,3	49,5	52	50	45	YAT 205	0,33	681972
30	UCFL 206 CL	68409L	117	148	85	11	26	20	41	56	62	60	50	YAT 206	0,42	69965
30*	SUCFL 206 CL	687592L ¹⁾	99	148	85	11	26	20	41	56	62	60	50	YAT 206	0,42	69965
35	UCFL 207 CL	648141L	130	162	93	11	26	19,5	45	59	72	70	55	YAT 207	0,65	682032
35*	SUCFL 207 CL	697722L ¹⁾	117	148	112	11	26	19,5	43	62	72	70	55	YAT 207	0,70	615692
40	UCFL 208 CL	672421L	144	176	102	11	30	23	52	65,5	80	78	65	YAT 208	0,90	63549
40*	SUCFL 208 CL	697732L ¹⁾	117	148	112	11	26	19	45	62	80	78	65	YAT 208	0,74	63549
Eccentric collar shaft locking • Closed unit																
20	HCFL 204 CL	679052L	90	116	62	11	20	15,2	38,7	49	47	45	40	YET 204	0,30	681942
25	HCFL 205 CL	679062L	99	130	71	11	22,5	16,8	40,3	49,5	52	50	45	YET 205	0,37	681952
25*	SHCFL 205 CL	687602L ¹⁾	90	130	71	11	22,5	16,8	40,3	49,5	52	50	45	YET 205	0,37	681952
30	HCFL 206 CL	679072L	117	148	85	11	26	20	46,7	56	62	60	50	YET 206	0,49	63154
30*	SHCFL 206 CL	687612L ¹⁾	99	148	85	11	26	20	46,7	56	62	60	50	YET 206	0,49	63154
35	HCFL 207 CL	679082L	130	162	93	11	26	19,5	48,9	59	72	70	55	YET 207	0,83	682022
35*	SHCFL 207 CL	697742L ¹⁾	117	148	112	11	26	19,5	48,4	62	72	70	55	YET 207	0,88	63539
40	HCFL 208 CL	679092L	144	176	102	11	30	23	55,7	71	80	78	65	YET 208	1,09	600882
40*	SHCFL 208 CL	697752L ¹⁾	117	148	112	11	26	19	51,7	68	80	78	65	YET 208	0,93	600882
Eccentric collar shaft locking • Open unit																
20	HCFL 204 CL	679102L	90	116	62	11	20	15,2	38,7	49	47	45	40	YET 204	0,30	681962
25	HCFL 205 CL	679112L	99	130	71	11	22,5	16,8	40,3	49,5	52	50	45	YET 205	0,37	681972
25*	SHCFL 205 CL	687622L ¹⁾	90	130	71	11	22,5	16,8	40,3	49,5	52	50	45	YET 205	0,37	681972
30	HCFL 206 CL	679122L	117	148	85	11	26	20	46,7	56	62	60	50	YET 206	0,49	69965
30*	SHCFL 206 CL	687632L ¹⁾	99	148	85	11	26	20	46,7	56	62	60	50	YET 206	0,49	69965
35	HCFL 207 CL	679132L	130	162	93	11	26	19,5	48,9	59	72	70	55	YET 207	0,83	682032
35*	SHCFL 207 CL	697762L ¹⁾	117	148	112	11	26	19,5	48,4	62	72	70	55	YET 207	0,88	615692
40	HCFL 208 CL	679142L	144	176	102	11	30	23	55,7	71	80	78	65	YET 208	1,09	600892
40*	SHCFL 208 CL	697772L ¹⁾	117	148	112	11	26	19	51,7	68	80	78	65	YET 208	0,93	600892

Item code for order = B0000 + Code

* = Version with special fixing holes.

SUCFL206CL/SHCFL206CL : Assembly with cylindrical head screws.

¹⁾ = Solid flange.

Packaging : 6 pieces.

Oval flange bearing units

UCFL - SUCFL - HCFL - SHCFL



Accessories

Material

PA FV polyamide housing

- Housing in reinforced polyamide PA FV resin (black)
- Ball type nickel plated brass greasing nipple
- Reinforcing bushings on mounting holes and washers in stainless steel AISI 304.

PA FV polyamide housing with Microban®

- Housing in reinforced polyamide PAFV resin (blue) with Microban®
- Bearing in stainless steel AISI 420 • Ball type nickel plated brass greasing nipple
- Reinforcing bushings on mounting holes and washers in stainless steel AISI 304.

PP FV polypropylene housing with Microban®

- Housing in reinforced polypropylene PP FV resin (white) with Microban®
- Bearing in stainless steel AISI 420
- Ball type stainless steel AISI 316 greasing nipple
- Reinforcing bushings on mounting holes and washers in stainless steel AISI 316.

Continuous operating temperature

in air : - 20 to + 60°C.

Maximum allowed misalignment : 2°.

Bearing

- Series YAR 2F (grub screws shaft locking, chrome alloy steel, Superagriseal unit plus centrifuging ring) • Series YAR 2RF (grub screws shaft locking, stainless steel AISI 420, Superagriseal unit plus rubberised centrifuging ring) • Series YAT (grub screws shaft locking, chrome alloy steel, Superagriseal unit) • Series YET (eccentric collar shaft locking, chrome alloy steel, Superagriseal unit)
- Prelubricated with lithium / calcium grease • Can be relubricated.

Grub screws or eccentric collar shaft locking

Version with bearing YAR 2F

The double ring guarantees maximum protection against dust and non-corrosive substances.

Version with stainless steel bearing YAR 2RF

AISI 420 stainless steel bearing with 2 rubberised rings, provides excellent seal against humidity, steams, liquids, medium corrosive chemical agents. Maximum load ability is inferior.

Version with bearing YAT

The rubberised ring guarantees maximum protection against dusts.

Supports with Microban® antibacterial protection

Microban® material is effective against the most common bacteria that may grow in foodstuff like E. Coli, Salmonella, Listeria, S-Aureus, Campylobacter.

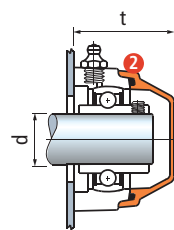
Material

Polyamide PA FV guarantees maximum strength and high-temperature resistance.

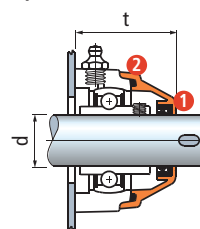
Polypropylene PP FV offers excellent resistance to chemical agents but inferior load ability.

Protection covers (accessories)

Closed cover



Open cover



- 1 Seals
- 2 Seals O-Ring

dia. d mm	Accessories			
	Cover orange	Code	t mm	
			UCFL	HCFL
Closed cover supplied with seals				
17*	681942		46	49
20	681942		46	49
25	681952		49,5	49,5
25*	681952		49,5	49,5
30	63154		55	55
30*	63154		55	55
35	682022		59	59
35*	63539		62	62
40 ¹⁾	63539		65,5	-
40 ²⁾	600882		-	71
Open cover supplied with seals				
17*	696162		46	49
20	681962		46	49
25	681972		49,5	49,5
25*	681972		49,5	49,5
30	69965		55	55
30*	69965		55	55
35	682032		59	59
35*	615692		62	62
40 ¹⁾	63549		65,5	-
40 ²⁾	600892		-	71

* = Version with special fixing holes.

¹⁾ = Protection cover for bearing unit with grub screws shaft locking.

²⁾ = Protection cover for bearing unit with eccentric collar shaft locking.

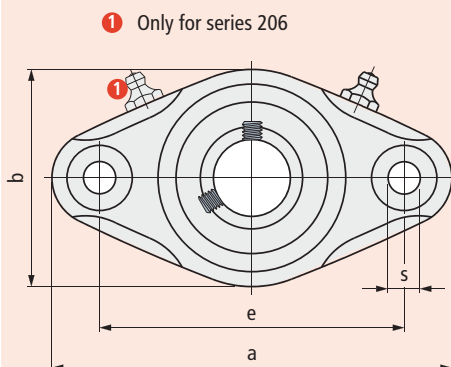
Series UCFL Grub screws shaft locking

Version with bearing YAR 2F

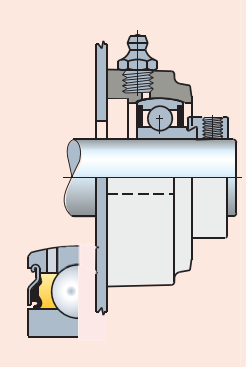
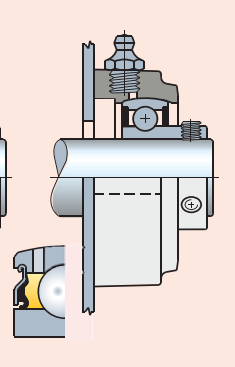
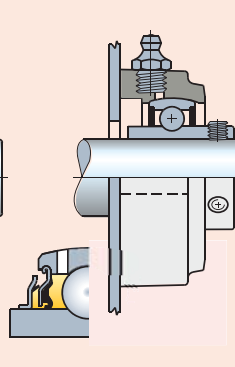
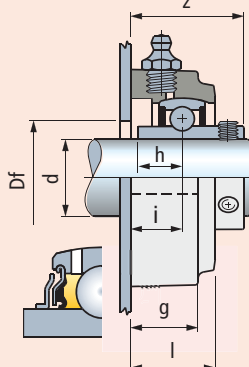
Version with bearing YAR 2RF

Version with bearing YAT

Series HCFL Eccentric collar shaft locking



1 Only for series 206



UCFL - SUCFL - HCFL - SHCFL

dia. d mm	Series	Housing material			Dimensions in mm										Bore in frame Df mm	Bearing	Weight Kg
		Polyamide PA FV Standard Flange (black)	Polyamide PA FV with Microban® Solid Flange (blue)	polypropylene PP FV with Microban® Solid Flange (white)	e	a	b	s	g	i	h	l	z				
		Code															
Grub screws shaft locking • Version with bearing YAR 2F																	
17*	SUCFL 203	640982	-	-	90	116	62	11	20	15,2	11,5	25,5	31,1	21	YAR 203 2F	0,23	
20	UCFL 204	69056	-	-	90	116	62	11	20	15,2	12,7	25	33,5	24	YAR 204 2F	0,25	
25	UCFL 205	68563	-	-	99	130	71	11	22,5	16,8	14,3	27,5	36,5	29	YAR 205 2F	0,31	
25*	SUCFL 205	687922 ¹⁾	-	-	90	130	71	11	22,5	16,8	14,3	27,5	36,5	29	YAR 205 2F	0,31	
30	UCFL 206	68439	-	-	117	148	85	11	26	19	15,9	32,5	41,2	34	YAR 206 2F	0,44	
30*	SUCFL 206	687932 ¹⁾	-	-	99	148	85	11	26	19	15,9	32,5	41,2	34	YAR 206 2F	0,44	
35	UCFL 207	648171	-	-	130	162	93	11	26	19,5	17,5	32	45	39	YAR 207 2F	0,67	
35*	SUCFL 207	602303 ¹⁾	-	-	117	148	112	11	26	19,5	17,5	33	43	39	YAR 207 2F	0,68	
40	UCFL 208	672451	-	-	144	176	102	11	30	22	19	36	52	44	YAR 208 2F	0,90	
40*	SUCFL 208	602313 ¹⁾	-	-	117	148	112	11	26	19	19	33	45	44	YAR 208 2F	0,72	
Grub screws shaft locking • Version with stainless steel bearing YAR 2RF																	
20	UCFL 204	646542	680252	680302	90	116	62	11	20	15,2	12,7	25	33,5	24	YAR 204 2RF	0,25	
25	UCFL 205	646552	680262	680312	99	130	71	11	22,5	16,8	14,3	27,5	36,5	29	YAR 205 2RF	0,31	
25*	SUCFL 205	687942 ¹⁾	687962	687982	90	130	71	11	22,5	16,8	14,3	27,5	36,5	29	YAR 205 2RF	0,31	
30	UCFL 206	646562	680272	680322	117	148	85	11	26	19	15,9	32,5	41,2	34	YAR 206 2RF	0,44	
30*	SUCFL 206	687952 ¹⁾	687972	687992	99	148	85	11	26	19	15,9	32,5	41,2	34	YAR 206 2RF	0,44	
35	UCFL 207	646572	680282	680332	130	162	93	11	26	19,5	17,5	32	45	39	YAR 207 2RF	0,67	
35*	SUCFL 207	602323 ¹⁾	697942	697962	117	148	112	11	26	19,5	17,5	33	43	39	YAR 207 2RF	0,68	
40	UCFL 208	646582	680292	680342	144	176	102	11	30	22	19	36	52	44	YAR 208 2RF	0,90	
40*	SUCFL 208	602333 ¹⁾	697952	697972	117	148	112	11	26	19	19	33	45	44	YAR 208 2RF	0,72	
Grub screws shaft locking • Version with bearing YAT																	
17*	SUCFL 203	603963	603983	604003	90	116	62	11	20	15,2	-	25,5	31,1	21	YAT 203	0,21	
20	UCFL 204	655482	666562	680152	90	116	62	11	20	15,2	-	25	33,5	24	YAT 204	0,23	
25	UCFL 205	655472	666572	680162	99	130	71	11	22,5	16,8	-	27,5	36,3	29	YAT 205	0,31	
25*	SUCFL 205	687802 ¹⁾	687842	687882	90	130	71	11	22,5	16,8	-	27,5	36,3	29	YAT 205	0,31	
30	UCFL 206	666412	666582	680172	117	148	85	11	26	20	-	32,5	41	34	YAT 206	0,39	
30*	SUCFL 206	687812 ¹⁾	687852	687892	99	148	85	11	26	20	-	32,5	41	34	YAT 206	0,39	
35	UCFL 207	666422	666592	680182	130	162	93	11	26	19,5	-	32	45	39	YAT 207	0,62	
35*	SUCFL 207	602183 ¹⁾	602223	602263	117	148	112	11	26	19,5	-	33	43	39	YAT 207	0,86	
40	UCFL 208	666432	666602	680192	144	176	102	11	30	22	-	36	52	44	YAT 208	0,86	
40*	SUCFL 208	602193 ¹⁾	602233	602273	117	148	112	11	26	19	-	33	45	44	YAT 208	0,91	
Eccentric collar shaft locking																	
17*	SHCFL 203	604013	604033	604053	90	116	62	11	20	15,2	-	25,5	37,3	21	YET 203	0,26	
20	HCFL 204	679852	680002	680202	90	116	62	11	20	15,2	-	25	38,7	24	YET 204	0,28	
25	HCFL 205	679862	680012	680212	99	130	71	11	22,5	16,8	-	27,5	40,3	29	YET 205	0,35	
25*	SHCFL 205	687822 ¹⁾	687862	687902	90	130	71	11	22,5	16,8	-	27,5	40,3	29	YET 205	0,35	
30	HCFL 206	679872	680022	680222	117	148	85	11	26	20	-	32,5	46,7	34	YET 206	0,46	
30*	SHCFL 206	687832 ¹⁾	687872	687912	99	148	85	11	26	20	-	32,5	46,7	34	YET 206	0,46	
35	HCFL 207	679882	680032	680232	130	162	93	11	26	19,5	-	32	48,9	39	YET 207	0,79	
35*	SHCFL 207	602203 ¹⁾	602243	602283	117	148	112	11	26	19,5	-	33	49	48,4	YET 207	0,86	
40	HCFL 208	679892	680042	680242	144	176	102	11	30	22	-	36	55,7	44	YET 208	1,05	
40*	SHCFL 208	602213 ¹⁾	602253	602293	117	148	112	11	26	19	-	33	54	51,7	YET 208	0,91	

Item code for order = B0000 + Code

* = Version with special fixing holes.

SUCFL/SHCFL : Assembly with cylindrical head screws.

¹⁾ = Solid flange.

Packaging : 6 pieces.

 Best choice

 Standard

 On request

Oval flange bearing units

UCFLS/C - SUCFLS/C - HCFLS/C - SHCFLS/C



- Austenitic stainless steel surface
 - Waterproof housing
 - Grub screws or eccentric collar shaft locking
 - Solid flange
- Patent pending design with perfect seal: rubber makes one-body with steel and engineering plastic bearing seat.

Material

- Housing in reinforced polyamide PA FV resin (black)
- Austenitic stainless steel surface
- Sealing in NBR rubber (black)
- Protection cover in polypropylene PP (orange) with Microban®
- Seal and O-Ring in NBR rubber (black)
- Ball type nickel plated brass greasing nipple.

Continuous operating temperature

in air : - 20 to + 60°C.

Maximum allowed misalignment : 2°.

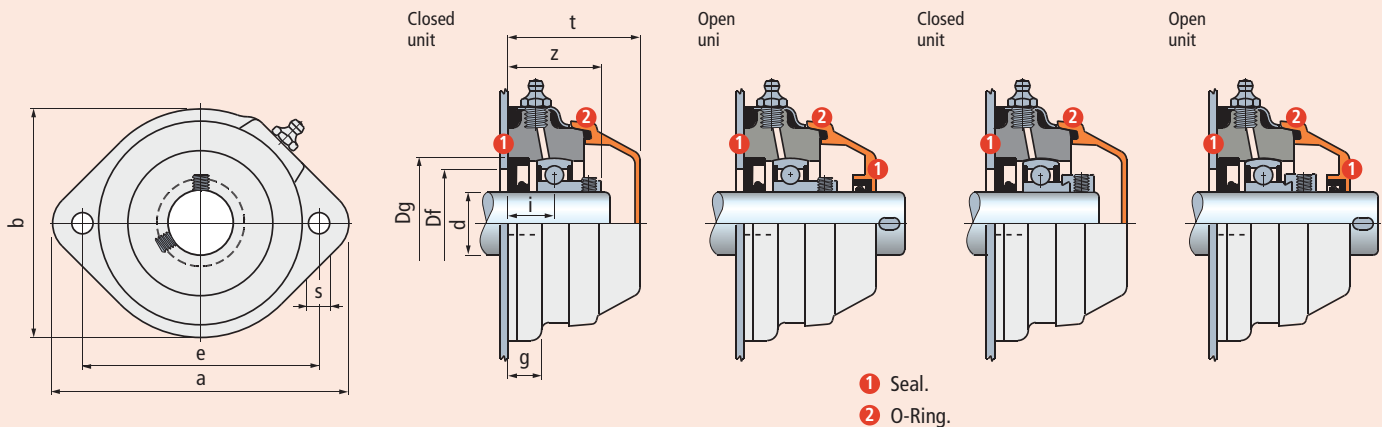
Bearing



- Series YAT (grub screws shaft locking)
- Series YET (eccentric collar shaft locking)
- Chrome alloy steel
- Superagriseal unit
- Prelubricated with lithium / calcium grease
- Can be relubricated.

• Series UCFLS/C Grub screws shaft locking

• Series HCFLS/C Eccentric collar shaft locking



UCFLS/C - SUCFLS/C - HCFLS/C - SHCFLS/C

dia. d mm	Series	Housing material	Dimensions in mm										Bore in frame ¹⁾ Df		Weight Kg	Spare parts
		Polyamide PA FV with austenitic stainless steel surface Solid Flange Cover (orange)	e	a	b	s	g	i	z	t	Dg	max.	min.	Bearing		Cover orange Code
Grub screws shaft locking • Closed unit																
30	UCFLS 206 C	670792	117	145	112	10,5	15,5	22	43	65,8	62	60	50	YAT 206	0,65	63539
35*	SUCFLS 207 C	670802	117	145	112	10,5	15,5	22	45,3	65,8	72	70	55	YAT 207	0,76	63539
40*	SUCFLS 208 C	670812	117	145	112	10,5	15,5	22	47,3	65,8	80	78	65	YAT 208	0,86	63539
Grub screws shaft locking • Open unit																
30	UCFLS 206 C	670822	117	145	112	10,5	15,5	22	43	65,8	62	60	50	YAT 206	0,65	615682
35*	SUCFLS 207 C	670832	117	145	112	10,5	15,5	22	45,3	65,8	72	70	55	YAT 207	0,76	615692
40*	SUCFLS 208 C	670842	117	145	112	10,5	15,5	22	47,3	65,8	80	78	65	YAT 208	0,86	63549
Eccentric collar shaft locking • Closed unit																
30	UCFLS 206 C	670852	117	145	112	10,5	15,5	22	49	65,8	62	60	50	YET 206	0,72	63539
35*	SUCFLS 207 C	670862	117	145	112	10,5	15,5	22	51,4	65,8	72	70	55	YET 207	0,82	63539
40*	SUCFLS 208 C	670872	117	145	112	10,5	15,5	22	55	65,8	80	78	65	YET 208	0,92	63539
Eccentric collar shaft locking • Open unit																
30	UCFLS 206 C	670882	117	145	112	10,5	15,5	22	49	65,8	62	60	50	YET 206	0,72	615682
35*	SUCFLS 207 C	670892	117	145	112	10,5	15,5	22	51,4	65,8	72	70	55	YET 207	0,82	615692
40*	SUCFLS 208 C	670902	117	145	112	10,5	15,5	22	55	65,8	80	78	65	YET 208	0,92	63549

Item code for order = B0000 + Code

* = Version with special fixing holes.

¹⁾ = Dimensions Df max / Df min must be respected to ensure positive retention of the seals and to allow air bleeding during lubrication.

Packaging : 6 pieces.

Oval flange bearing units

FL



- **Waterproof housing**
- **Shaft shoulders locking**
High axial load capacity.
- **PA FV polyamide housing**
High mechanical and heat resistance.
Proof to dust, humidity, washouts, steam, average aggressive chemical agents
- **PP FV polypropylene housing**
Proof to highly aggressive chemical agents.
Inferior loading ability.

Material

PA FV polyamide housing

- Housing in reinforced polyamide PA FV resin (black)
- Seal and O-Ring in NBR rubber (black)
- Ball type nickel plated brass greasing nipple
- Reinforcing bushings on mounting holes and washers in stainless steel AISI 304.

PP FV polypropylene housing

- Housing in reinforced polypropylene PP FV resin (black)
- Seal and O-Ring in NBR rubber (black).
On request supplied in Viton rubber (brown).
Viton material offers high resistance to chemical agents.
- Ball type stainless steel AISI 316 greasing nipple
- Reinforcing bushings on mounting holes and washers in stainless steel AISI 316.

Continuous operating temperature

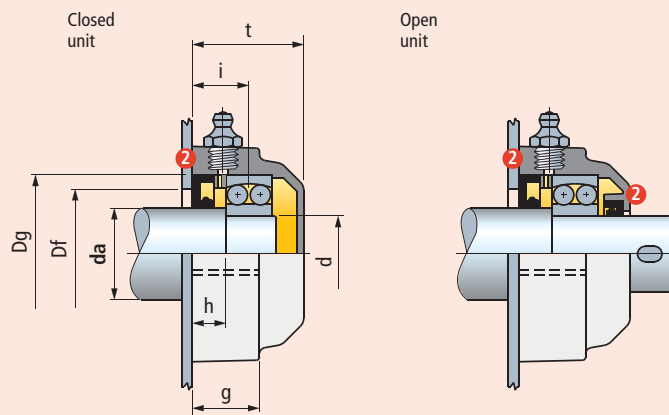
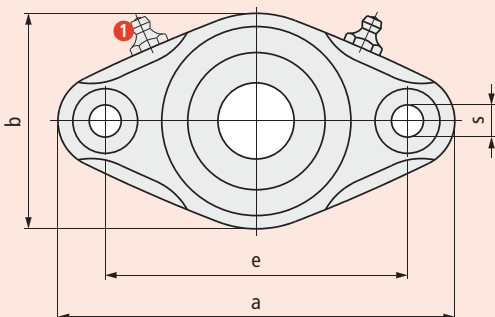
n air : - 20 to + 60°C.

Maximum allowed misalignment : 2°.

Bearing

- Series 1200 self aligning ball bearing
- Chrome alloy steel
- Supplied without grease
- To be prelubricated with lithium / calcium grease during first installation.

1 Only for series 1206



2 Seal.

Shaft dia. da mm	Bearing dia. d mm	Series	Housing material		Dimensions in mm										Bore in frame ¹⁾ Df		Bearing	Weight Kg
			Polyamide PA FV Standard Flange (black)	Polypropylene PP FV Standard Flange (black)	e	a	b	s	g	i	h	t	Dg	max.	min.			
			Code															
Closed unit																		
25	20	FL 1204	68976	680352	90	116	62	11	20	18	11	35,5	47	45	40	1204	0,25	
30	25	FL 1205	68483	680362	99	130	71	11	22,5	18,5	11	36,5	52	50	47	1205	0,29	
35	30	FL 1206	68339	680372	117	148	85	11	26	19	11	40	62	60	52	1206	0,39	
40	35	FL 1207	648091	680382	130	162	93	11	26	19,5	11	40	72	70	60	1207	0,55	
45	40	FL 1208	672371	680392	144	176	102	11	30	25	16	45	80	78	65	1208	0,71	
Open unit																		
25	20	FL 1204	68986	680402	90	116	62	11	20	18	11	35,5	47	45	40	1204	0,25	
30	25	FL 1205	68493	680412	99	130	71	11	22,5	18,5	11	36,5	52	50	47	1205	0,29	
35	30	FL 1206	68349	680422	117	148	85	11	26	19	11	40	62	60	52	1206	0,39	
40	35	FL 1207	648101	680432	130	162	93	11	26	19,5	11	40	72	70	60	1207	0,55	
45	40	FL 1208	672381	680442	144	176	102	11	30	25	16	45	80	78	65	1208	0,71	

Item code for order = B0000 + Code

¹⁾ = Dimensions Df max / Df min must be respected to ensure positive retention of the seals and to allow air bleeding during lubrication.

Packaging : 6 pieces.

AUSTRALIA

Rexnord Australia Pty. Ltd.
Picton, New South Wales
Phone: 61-2-4677-3811
Fax: 61-2-4677-3812

BRAZIL

Rexnord Correntes Ltda.
Sao Leopoldo - RS
Phone: 55-51-579-8022
Fax: 55-51-579-8029

CANADA

Rexnord Canada Ltd.
Scarborough, Ontario
Phone: 1-416-297-6868
Fax: 1-416-297-6873

CHINA

Rexnord China
Shanghai
Phone: 86-21-62701942
Fax: 86-21-62701943

FLATTOP EUROPE

Rexnord FlatTop Europe b.v.
's-Gravenzande, The Netherlands
Phone: 31-174-445-111
Fax: 31-174-445-222

Rexnord Marbett S.r.L.
Correggio (RE), Italy
Phone: 39-0522-639333
Fax: 39-0522-637778

UNITED STATES

Customer Service
Phone: 1-866-REXNORD
(1-866-739-6673)
Fax: 1-614-675-1898
E-mail: rexnordcs(state)@rexnord.com
Example: rexnordcsohio@rexnord.com

Rexnord FlatTop North America
Grafton, Wisconsin
Phone: 1-262-376-4700
Fax: 1-262-376-4720

Rexnord International - Power Transmission
Milwaukee, Wisconsin
Phone: 1-414-643-2366
Fax: 1-414-643-3222
E-mail: international2@rexnord.com

ALL COUNTRIES NOT LISTED

Rexnord FlatTop Europe b.v.
's-Gravenzande, The Netherlands
Phone: 31-174-445-111
Fax: 31-174-445-222

After Hours/Emergency Phone:
31-174-445-112



www.rexnordflattop.com
flattopeurope@rexnord.com