

PRODUCT CATALOGUE  
2009

MARBETT®  
CONVEYOR COMPONENTS  
SUPPORTING AND LEVELLING ELEMENTS  
SELF-ALIGNING BEARINGS



FlatTop Europe

**REXNORD**  
PRECISION. POWER. PERFORMANCE.

# Pillow block type bearing units

## UCP/C - HCP/C



- **Waterproof housing**
- **Grub screws or eccentric collar shaft locking**
- **PA FV polyamide housing**  
High mechanical and heat resistance.  
Proof to dust, humidity, washouts, steam, average aggressive chemical agents.
- **PP FV polypropylene housing**  
Proof to highly aggressive chemical agents.  
Inferior loading ability.
- **Supports with Microban® antibacterial protection**  
Microban® material is effective against the most common bacteria that may grow in foodstuff like E. Coli, Salmonella, Listeria, S-Aureus, Campylobacter.

### Material

#### PA FV polyamide housing

- Housing in reinforced polyamide PA FV resin ( black )
- Protection cover in polypropylene PP ( orange ) with Microban®
- Seal and O-Ring in NBR rubber ( black )
- Ball type nickel plated brass greasing nipple
- Reinforcing bushings on mounting holes and washers in stainless steel AISI 304
- Stainless steel AISI 303 safety ring
- Bottom seal in PVC ( black ).

#### PA FV polyamide housing with Microban®

- Housing in reinforced polyamide PA FV resin ( blue ) with Microban®
- Protection cover in polypropylene PP ( orange ) with Microban®
- Seal and O-Ring in NBR rubber ( black )
- Ball type nickel plated brass greasing nipple
- Reinforcing bushings on mounting holes and washers in stainless steel AISI 304
- Stainless steel AISI 303 safety ring
- Bottom seal in PVC ( black ).

#### PP FV polypropylene housing with Microban®

- Housing in reinforced polypropylene PP FV resin ( white ) with Microban®
- Protection cover in polypropylene PP ( orange ) with Microban®
- Seal and O-Ring in NBR rubber ( black ).  
On request supplied in Viton rubber ( brown ).  
Viton material offers high resistance to chemical agents
- Ball type stainless steel AISI 316 greasing nipple
- Reinforcing bushings on mounting holes and washers in stainless steel AISI 316
- Stainless steel AISI 303 safety ring
- Bottom seal in PVC ( black ).

### Continuous operating temperature

in air : - 20 to + 60°C.

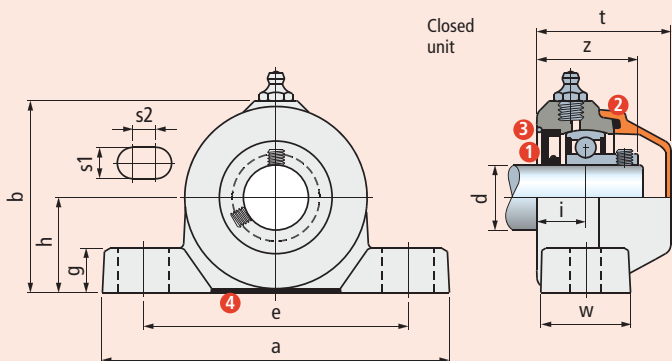
### Maximum allowed misalignment : 2°.

### Bearing

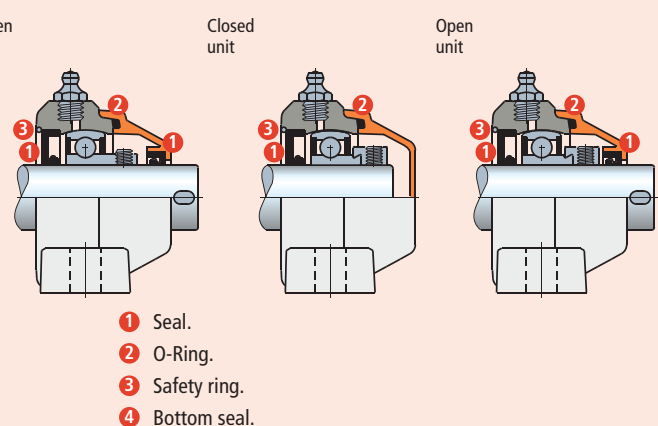


- Series YAT ( grub screws shaft locking )
- Series YET ( eccentric collar shaft locking )
- Chrome alloy steel
- Superagriseal unit
- Prelubricated with lithium / calcium grease
- Can be relubricated.

#### Series UCP/C Grub screws shaft locking



#### Series HCP/C Eccentric collar shaft locking



dia. d mm	Series	Housing material			Dimensions in mm												Weight Kg	Spare parts Cover orange Code
		Polyamide PA FV	Polyamide PA FV with Microban®	Polypropylene PP FV with Microban®	e	a	h	b	s1	s2	g	w	i	z	t	Bearing		
		Flange (black) Cover (orange)	Flange (blue) Cover (orange)	Flange (white) Cover (orange)	Code													
<b>Grub screws shaft locking • Closed unit</b>																		
20	UCP 204 C	682941	651452	678352	96	128	33,3	67	12	10	17	30	18,9	37,2	49,7	YAT 204	0,27	681942
25	UCP 205 C	646511	651462	678362	106	140	36,5	75	12	10	17	34,5	18,8	38,3	51,5	YAT 205	0,33	681952
30	UCP 206 C	646531	651472	678372	121	163	42,9	88	14	10	20	36	19,7	40,7	55	YAT 206	0,49	63154
35	UCP 207 C	646551	651482	678382	126	167	47,6	98	14	10	20	38,6	21,3	44,6	61	YAT 207	0,64	682022
40	UCP 208 C	683041	651492	678392	136	185	50	102	14	10	20	38,6	25	50,3	66,5	YAT 208	0,84	63539
<b>Grub screws shaft locking • Open unit</b>																		
20	UCP 204 C	682931	651552	678402	96	128	33,3	67	12	10	17	30	18,9	37,2	49,7	YAT 204	0,27	681962
25	UCP 205 C	646521	651562	678412	106	140	36,5	75	12	10	17	34,5	18,8	38,3	51,5	YAT 205	0,33	681972
30	UCP 206 C	646541	651572	678422	121	163	42,9	88	14	10	20	36	19,7	40,7	55	YAT 206	0,49	69965
35	UCP 207 C	646561	651582	678432	126	167	47,6	98	14	10	20	38,6	21,3	44,6	61	YAT 207	0,64	682032
40	UCP 208 C	683031	651592	678442	136	185	50	102	14	10	20	38,6	25	50,3	66,5	YAT 208	0,84	63549
<b>Eccentric collar shaft locking • Closed unit</b>																		
20	HCP 204 C	677952	678052	678452	96	128	33,3	67	12	10	17	30	18,9	42,4	52	YET 204	0,32	681942
25	HCP 205 C	677962	678062	678462	106	140	36,5	75	12	10	17	34,5	18,8	42,3	51,5	YET 205	0,37	681952
30	HCP 206 C	677972	678072	678472	121	163	42,9	88	14	10	20	36	19,7	46,4	55	YET 206	0,56	63154
35	HCP 207 C	677982	678082	678482	126	167	47,6	98	14	10	20	38,6	21,3	50,7	61	YET 207	0,82	682022
40	HCP 208 C	677992	678092	678492	136	185	50	102	14	10	20	38,6	25	57,7	72	YET 208	1,03	600882
<b>Eccentric collar shaft locking • Open unit</b>																		
20	HCP 204 C	678002	678102	678502	96	128	33,3	67	12	10	17	30	18,9	42,4	52	YET 204	0,32	681962
25	HCP 205 C	678012	678112	678512	106	140	36,5	75	12	10	17	34,5	18,8	42,3	51,5	YET 205	0,37	681972
30	HCP 206 C	678022	678122	678522	121	163	42,9	88	14	10	20	36	19,7	46,4	55	YET 206	0,56	69965
35	HCP 207 C	678032	678132	678532	126	167	47,6	98	14	10	20	38,6	21,3	50,7	61	YET 207	0,82	682032
40	HCP 208 C	678042	678142	678542	136	185	50	102	14	10	20	38,6	25	57,7	72	YET 208	1,03	600892

**Item code for order = B0000 + Code**

Packaging : 6 pieces.

**Spare parts**

dia. d mm	Housing material		
	Polyamide PA FV	Polyamide PA FV with Microban®	Polypropylene PP FV with Microban®
	Flange (black) Cover (orange)	Flange (blue) Cover (orange)	Flange (white) Cover (orange)
<b>Code</b>			
<b>Safety ring</b>			
20	600982	600982	600982
25	646281	646281	646281
30	646291	646291	646291
35	646301	646301	646301
40	601052	601052	601052
<b>Seal</b>			
20	692391	692391	692391
25	646251	646251	646251
30	646261	646261	646261
35	646271	646271	646271
40	692401	692401	692401

Safety ring



Seal



# Pillow block type bearing units

## UCP - HCP



Accessories



### Material

#### PA FV polyamide housing

- Housing in reinforced polyamide PA FV resin ( black )
- Ball type nickel plated brass greasing nipple
- Reinforcing bushings on mounting holes and washers in stainless steel AISI 304
- Bottom seal in PVC ( black ).

#### PA FV polyamide housing with Microban®

- Housing in reinforced polyamide PAFV resin ( blue ) with Microban®
- Ball type nickel plated brass greasing nipple
- Reinforcing bushings on mounting holes and washers in stainless steel AISI 304
- Bottom seal in PVC ( black ).

#### PP FV polypropylene housing with Microban®

- Housing in reinforced polypropylene PP FV resin ( white ) with Microban®
- Ball type stainless steel AISI 316 greasing nipple
- Reinforcing bushings on mounting holes and washers in stainless steel AISI 316
- Bottom seal in PVC ( black ).

### Continuous operating temperature

in air : - 20 to + 60°C.

### Maximum allowed misalignment : 2°.

### Bearing

- Series YAR 2F ( grub screws shaft locking, chrome alloy steel, Superagriseal unit plus centrifuging ring )
- Series YAR 2RF ( grub screws shaft locking, stainless steel AISI 420, Superagriseal unit plus rubberised centrifuging ring )
- Series YAT ( grub screws shaft locking, chrome alloy steel, Superagriseal unit )
- Series YET ( eccentric collar shaft locking, chrome alloy steel, Superagriseal unit )
- Prelubricated with lithium / calcium grease • Can be relubricated.

### Grub screws or eccentric collar shaft locking

#### Version with bearing YAR 2F

The double ring guarantees maximum protection against dust and non-corrosive substances.

#### Version with stainless steel bearing YAR 2RF

AISI 420 stainless steel bearing with 2 rubberised rings, provides excellent seal against humidity, steams, liquids, medium corrosive chemical agents. Maximum load ability is inferior.

#### Version with bearing YAT

The rubberised ring guarantees maximum protection against dusts.

#### Supports with Microban® antibacterial protection

Microban® material is effective against the most common bacteria that may grow in foodstuff like E. Coli, Salmonella, Listeria, S-Aureus, Campylobacter.

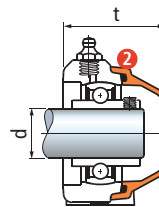
#### Material

Polyamide PA FV guarantees maximum strength and high-temperature resistance.

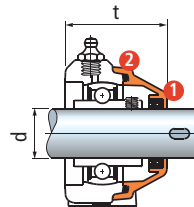
Polypropylene PP FV offers excellent resistance to chemical agents but inferior load ability.

### Protection covers ( accessories )

#### Closed cover



#### Open cover



- 1 Seals
- 2 Seals O-Ring

dia. d mm	Accessories		t mm	
	Cover orange	Code	UCFL	HCFL
<b>Closed cover supplied with seals</b>				
20	681942		49,7	52
25	681952		51,5	51,5
30	63154		55	55
35	682022		61	61
40 <sup>1)</sup>	63539		66,5	-
40 <sup>2)</sup>	600882		-	72
<b>Open cover supplied with seals</b>				
20	681962		49,7	52
25	681972		51,5	51,5
30	69965		55	55
35	682032		61	61
40 <sup>1)</sup>	63549		66,5	-
40 <sup>2)</sup>	600892		-	72

- <sup>1)</sup> = Protection cover for bearing unit with grub screws shaft locking.
- <sup>2)</sup> = Protection cover for bearing unit with eccentric collar shaft locking.

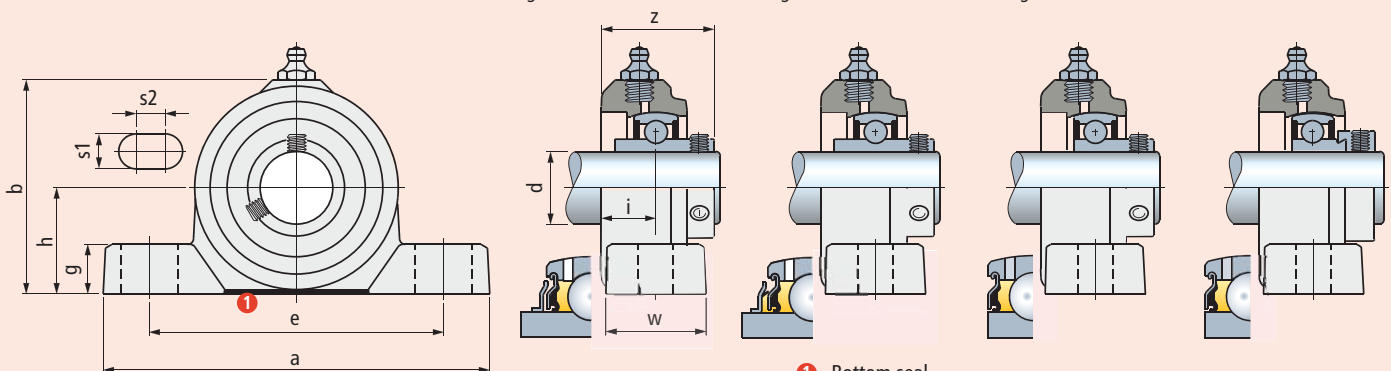
### Series UCP Grub screws shaft locking

Version with  
bearing YAR 2F

Version with  
bearing YAR 2RF

Version with  
bearing YAT

### Series HCP Eccentric collar shaft locking



1 Bottom seal

dia. d mm	Series	Housing material			Dimensions in mm										Weight Kg	
		Polyamide PA FV Flange (black)	Polyamide PA FV with Microban® Flange (blue)	Polypropylene PP FV with Microban® Flange (white)	e	a	h	b	s1	s2	g	w	i	z		Bearing
		Code														
<b>Grub screws shaft locking • Version with bearing YAR 2F</b>																
20	UCP 204	682921	-	-	96	128	33,3	67	12	10	17	30	18,9	37,2	YAR 204 2F	0,27
25	UCP 205	648781	-	-	106	140	36,5	75	12	10	17	34,5	18,8	38,6	YAR 205 2F	0,33
30	UCP 206	648791	-	-	121	163	42,9	88	14	10	20	36	19,7	41,9	YAR 206 2F	0,49
35	UCP 207	648801	-	-	126	167	47,6	98	14	10	20	38,6	21,3	46,7	YAR 207 2F	0,64
40	UCP 208	683021	-	-	136	185	50	102	14	10	20	38,6	25	55,2	YAR 208 2F	0,84
<b>Grub screws shaft locking • Version with stainless steel bearing YAR 2RF</b>																
20	UCP 204	646492	678952	679002	96	128	33,3	67	12	10	17	30	18,9	37,2	YAR 204 2RF	0,27
25	UCP 205	646502	678962	679012	106	140	36,5	75	12	10	17	34,5	18,8	38,6	YAR 205 2RF	0,33
30	UCP 206	646512	678972	679022	121	163	42,9	88	14	10	20	36	19,7	41,9	YAR 206 2RF	0,49
35	UCP 207	646522	678982	679032	126	167	47,6	98	14	10	20	38,6	21,3	46,7	YAR 207 2RF	0,64
40	UCP 208	646532	678992	679042	136	185	50	102	14	10	20	38,6	25	55,2	YAR 208 2RF	0,84
<b>Grub screws shaft locking • Version with bearing YAT</b>																
20	UCP 204	678552	678652	678852	96	128	33,3	67	12	10	17	30	18,9	37,2	YAT 204	0,24
25	UCP 205	678562	678662	678862	106	140	36,5	75	12	10	17	34,5	18,8	38,3	YAT 205	0,30
30	UCP 206	678572	678672	678872	121	163	42,9	88	14	10	20	36	19,7	40,7	YAT 206	0,44
35	UCP 207	678582	678682	678882	126	167	47,6	98	14	10	20	38,6	21,3	44,6	YAT 207	0,54
40	UCP 208	678592	678692	678892	136	185	50	102	14	10	20	38,6	25	50,3	YAT 208	0,72
<b>Eccentric collar shaft locking</b>																
20	HCP 204	678602	678702	678902	96	128	33,3	67	12	10	17	30	18,9	42,4	YET 204	0,29
25	HCP 205	678612	678712	678912	106	140	36,5	75	12	10	17	34,5	18,8	42,3	YET 205	0,34
30	HCP 206	678622	678722	678922	121	163	42,9	88	14	10	20	36	19,7	46,4	YET 206	0,51
35	HCP 207	678632	678732	678932	126	167	47,6	98	14	10	20	38,6	21,3	50,7	YET 207	0,72
40	HCP 208	678642	678742	678942	136	185	50	102	14	10	20	38,6	25	57,7	YET 208	0,91

**Item code for order = B0000 + Code**

Packaging : 6 pieces.

## ■ Spare parts

dia. d mm	Housing material		
	Polyamide PA FV Flange (black)	Polyamide PA FV with Microban® Flange (blue)	Polypropylene PP FV with Microban® Flange (white)
Code			
<b>Seal</b>			
20	692391	692391	692391
25	646251	646251	646251
30	646261	646261	646261
35	646271	646271	646271
40	692401	692401	692401

Seal



**AUSTRALIA**

Rexnord Australia Pty. Ltd.  
Picton, New South Wales  
Phone: 61-2-4677-3811  
Fax: 61-2-4677-3812

**BRAZIL**

Rexnord Correntes Ltda.  
Sao Leopoldo - RS  
Phone: 55-51-579-8022  
Fax: 55-51-579-8029

**CANADA**

Rexnord Canada Ltd.  
Scarborough, Ontario  
Phone: 1-416-297-6868  
Fax: 1-416-297-6873

**CHINA**

Rexnord China  
Shanghai  
Phone: 86-21-62701942  
Fax: 86-21-62701943

**FLATTOP EUROPE**

Rexnord FlatTop Europe b.v.  
's-Gravenzande, The Netherlands  
Phone: 31-174-445-111  
Fax: 31-174-445-222

Rexnord Marbett S.r.L.  
Correggio (RE), Italy  
Phone: 39-0522-639333  
Fax: 39-0522-637778

**UNITED STATES**

Customer Service  
Phone: 1-866-REXNORD  
(1-866-739-6673)  
Fax: 1-614-675-1898  
E-mail: rexnordcs(state)@rexnord.com  
Example: rexnordcsohio@rexnord.com

Rexnord FlatTop North America  
Grafton, Wisconsin  
Phone: 1-262-376-4700  
Fax: 1-262-376-4720

Rexnord International - Power Transmission  
Milwaukee, Wisconsin  
Phone: 1-414-643-2366  
Fax: 1-414-643-3222  
E-mail: international2@rexnord.com

**ALL COUNTRIES NOT LISTED**

Rexnord FlatTop Europe b.v.  
's-Gravenzande, The Netherlands  
Phone: 31-174-445-111  
Fax: 31-174-445-222

**After Hours/Emergency Phone:**  
31-174-445-112



www.rexnordflattop.com  
flattopeurope@rexnord.com