

PRODUCT CATALOGUE  
2009

MARBETT®  
CONVEYOR COMPONENTS  
SUPPORTING AND LEVELLING ELEMENTS  
SELF-ALIGNING BEARINGS



FlatTop Europe

**REXNORD**  
PRECISION. POWER. PERFORMANCE.

# Sqre flange bearing aits

UCFN/C - SUCFN/C - HCFN/C - SHCFN/C



- **Waterproof housing**
- **Grub screws or eccentric collar shaft locking**
- **PA FV polyamide housing**  
High mechanical and heat resistance.  
Proof to dust, humidity, washouts, steam, average aggressive chemical agents.
- **PP FV polypropylene housing**  
Proof to highly aggressive chemical agents.  
Inferior loading ability.
- **Solid flange bearings**  
Closed surface structure, ideal for sanitation.
- **Supports with Microban® antibacterial protection**  
Microban® material is effective against the most common bacteria that may grow in foodstuff like E. Coli, Salmonella, Listeria, S-Aureus, Campylobacter.

■ **Material**

**PA FV polyamide housing**

- Housing in reinforced polyamide PA FV resin ( black )
- Protection cover in polypropylene PP ( orange ) with Microban®
- Seal and O-Ring in NBR rubber ( black )
- Ball type nickel plated brass greasing nipple
- Reinforcing bushings on mounting holes and washers in stainless steel AISI 304.

**PA FV polyamide housing with Microban®**

- Housing in reinforced polyamide PA FV resin ( blue ) with Microban®
- Protection cover in polypropylene PP ( orange ) with Microban®
- Seal and O-Ring in NBR rubber ( black )
- Ball type nickel plated brass greasing nipple
- Reinforcing bushings on mounting holes and washers in stainless steel AISI 304

**PP FV polypropylene housing with Microban®**

- Housing in reinforced polypropylene PP FV resin ( white ) with Microban®
- Protection cover in polypropylene PP ( orange ) with Microban®
- Seal and O-Ring in NBR rubber ( black ).  
On request supplied in Viton rubber ( brown ).  
Viton material offers high resistance to chemical agents
- Ball type stainless steel AISI 316 greasing nipple
- Reinforcing bushings on mounting holes and washers in stainless steel AISI 316.

■ **Continuous operating temperature**

in air : - 20 to + 60°C.

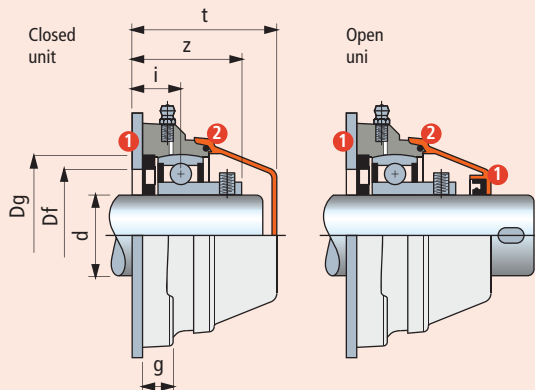
■ **Maximum allowed misalignment : 2°.**

■ **Bearing**

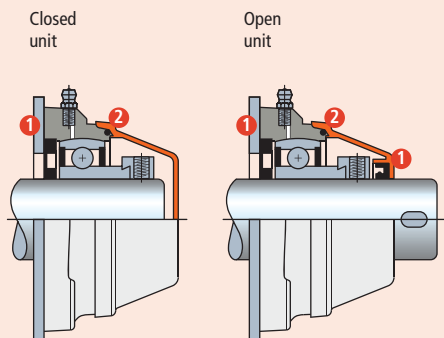


- Series YAT ( grub screws shaft locking )
- Series YET ( eccentric collar shaft locking )
- Chrome alloy steel
- Superagriseal unit
- Prelubricated with lithium / calcium grease
- Can be relubricated.

• **Series UCFN/C**  
Grub screws shaft locking



• **Series HCFN/C**  
Eccentric collar shaft locking



- 1 Seal.
- 2 O-Ring.

## UCFN/C - SUCFN/C - HCFN/C - SHCFN/C

dia. d mm	Series	Housing material			Dimensions in mm										Bore in frame <sup>1)</sup> Df		Bearing	Weight Kg	Spare parts
		Polyamide PA FV Solid Flange (black) Cover (orange)	Polyamide PA FV with Microban® Solid Flange (blue) Cover (orange)	Polypropylene PP FV with Microban® Solid Flange (white) Cover (orange)	e	a	s	g	i	z	t	Dg	max.	min.	Code				
<b>Grub screws shaft locking • Closed unit</b>																			
30	UCFN 206 C	632223	632343	632463	83	110	11	15	20	41	55	62	60	50	YAT 206	0,50	63154		
35*	SUCFN 207 C	632233	632353	632473	83	110	11	15	19,5	43	59	72	70	55	YAT 207	0,61	63539		
40*	SUCFN 208 C	632243	632363	632483	83	110	11	15	19	44,3	66	80	78	65	YAT 208	0,82	600882		
<b>Grub screws shaft locking • Open unit</b>																			
30	UCFN 206 C	632253	632373	632493	83	110	11	15	20	41	55	62	60	50	YAT 206	0,50	69965		
35*	SUCFN 207 C	632263	632383	632503	83	110	11	15	19,5	43	59	72	70	55	YAT 207	0,61	615692		
40*	SUCFN 208 C	632273	632393	632513	83	110	11	15	19	44,3	66	80	78	65	YAT 208	0,82	600892		
<b>Eccentric collar shaft locking • Closed unit</b>																			
30	HCFN 206 C	632283	632403	632523	83	110	11	15	20	46,7	55	62	60	50	YET 206	0,57	63154		
35*	SHCFN 207 C	632293	632413	632533	83	110	11	15	19,5	48,9	59	72	70	55	YET 207	0,79	63539		
40*	SUCFN 208 C	632303	632423	632543	83	110	11	15	19	51,7	66	80	78	65	YET 208	1,01	600882		
<b>Eccentric collar shaft locking • Open unit</b>																			
30	HCFN 206 C	632313	632433	632553	83	110	11	15	20	46,7	55	62	60	50	YET 206	0,57	69965		
35*	SHCFN 207 C	632323	632443	632563	83	110	11	15	19,5	48,9	59	72	70	55	YET 207	0,79	615692		
40*	SUCFN 208 C	632333	632453	632573	83	110	11	15	19	51,7	66	80	78	65	YET 208	1,01	600892		

**Item code for order = B0000 + Code**

\* = Version with special fixing holes.

<sup>1)</sup> = Dimensions Df max / Df min must be respected to ensure positive retention of the seals and to allow air bleeding during lubrication.

Packaging : 6 pieces.

# Square flange bearing units

UCFN/CL - SUCFN/CL - HCFN/CL - SHCFN/CL



LIFE LUBRICATED



Dry use recommended



- **Life lubricated**

The ball-bearings are pre-lubricated with a special grease keeping the bearing for its whole life. No need for re-lubrication ( see page B74 to calculate the grease life )

- **Grub screws or eccentric collar shaft locking**

- **PAFV polyamide housing**

High mechanical and heat resistance. Proof to dust, humidity, washouts, steam, average aggressive chemical agents.

- **Solid flange bearings**

Closed surface structure, ideal for sanification.



- **Material**

- **PA FV polyamide housing**

- Housing in reinforced polyamide PA FV resin ( black )
  - Protection cover in polypropylene PP ( orange ) with Microban®
  - Seal and O-Ring in NBR rubber ( black )
  - Reinforcing bushings on mounting holes and washers in stainless steel AISI 304.

- **Continuous operating temperature**

in air : - 20 to + 60°C.

- **Maximum allowed misalignment : 2°.**

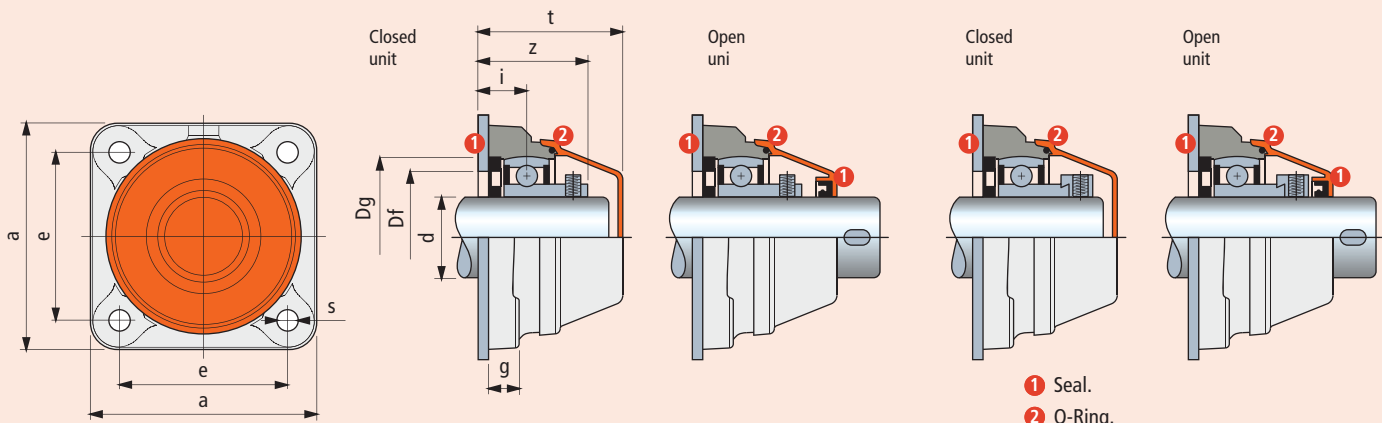
- **Bearing**



- Series YAT ( grub screws shaft locking )
- Series YET ( eccentric collar shaft locking )
- Chrome alloy steel
- Superagriseal unit
- Prelubricated with lithium / calcium grease, no need for re-lubrication.

- **Series UCFN/CL**  
Grub screws shaft locking

- **Series HCFN/CL**  
Eccentric collar shaft locking



## UCFN/CL - SUCFN/CL - HCFN/CL - SHCFN/CL

dia. d mm	Series	Housing material	Dimensions in mm								Dg	Bore in frame Df		Bearing	Weight Kg	Spare parts
		Polyamide PA FV Solid Flange (black) Cover (orange)	e	a	s	g	i	z	t	max.		min.	Cover orange Code			
<b>Grub screws shaft locking • Closed unit</b>																
30	UCFN 206 CL	632223L	83	110	11	15	20	41	55	62	60	50	YAT 206	0,50	63154	
35*	SUCFN 207 CL	632233L	83	110	11	15	19,5	43	59	72	70	55	YAT 207	0,61	63539	
40*	SUCFN 208 CL	632243L	83	110	11	15	19	44,3	66	80	78	65	YAT 208	0,82	600882	
<b>Grub screws shaft locking • Open unit</b>																
30	UCFN 206 CL	632253L	83	110	11	15	20	41	55	62	60	50	YAT 206	0,50	69965	
35*	SUCFN 207 CL	632263L	83	110	11	15	19,5	43	59	72	70	55	YAT 207	0,61	615692	
40*	SUCFN 208 CL	632273L	83	110	11	15	19	44,3	66	80	78	65	YAT 208	0,82	600892	
<b>Eccentric collar shaft locking • Closed unit</b>																
30	HCFN 206 CL	632283L	83	110	11	15	20	46,7	55	62	60	50	YET 206	0,57	63154	
35*	SHCFN 207 CL	632293L	83	110	11	15	19,5	48,9	59	72	70	55	YET 207	0,79	63539	
40*	SUCFN 208 CL	632303L	83	110	11	15	19	51,7	66	80	78	65	YET 208	1,01	600882	
<b>Eccentric collar shaft locking • Open unit</b>																
30	HCFN 206 CL	632313L	83	110	11	15	20	46,7	55	62	60	50	YET 206	0,57	69965	
35*	SHCFN 207 CL	632323L	83	110	11	15	19,5	48,9	59	72	70	55	YET 207	0,79	615692	
40*	SUCFN 208 CL	632333L	83	110	11	15	19	51,7	66	80	78	65	YET 208	1,01	600892	

**Item code for order = B0000 + Code**

\* = Version with special fixing holes.

Packaging : 6 pieces.

# Square flange bearing units

UCFN - SUCFN - HCFN - SHCFN



Accessories

**Material**

**PA FV polyamide housing**

- Housing in reinforced polyamide PA FV resin ( black )
- Ball type nickel plated brass greasing nipple
- Reinforcing bushings on mounting holes and washers in stainless steel AISI 304.

**PA FV polyamide housing with Microban®**

- Housing in reinforced polyamide PAFV resin ( blue ) with Microban®
- Bearing in stainless steel AISI 420 • Ball type nickel plated brass greasing nipple
- Reinforcing bushings on mounting holes and washers in stainless steel AISI 304.

**PP FV polypropylene housing with Microban®**

- Housing in reinforced polypropylene PP FV resin ( white ) with Microban®
- Bearing in stainless steel AISI 420
- Ball type stainless steel AISI 316 greasing nipple
- Reinforcing bushings on mounting holes and washers in stainless steel AISI 316.

**Continuous operating temperature**

in air : - 20 to + 60°C.

**Maximum allowed misalignment : 2°.**

**Bearing**

- Series YAR 2F ( grub screws shaft locking, chrome alloy steel, Superagriseal unit plus centrifuging ring ) • Series YAR 2RF ( grub screws shaft locking, stainless steel AISI 420, Superagriseal unit plus rubberised centrifuging ring ) • Series YAT ( grub screws shaft locking, chrome alloy steel, Superagriseal unit ) • Series YET ( eccentric collar shaft locking, chrome alloy steel, Superagriseal unit )
- Prelubricated with lithium / calcium grease • Can be relubricated.

**Grub screws or eccentric collar shaft locking**

**Version with bearing YAR 2F**

The double ring guarantees maximum protection against dust and non-corrosive substances.

**Version with stainless steel bearing YAR 2RF**

AISI 420 stainless steel bearing with 2 rubberised rings, provides excellent seal against humidity, steams, liquids, medium corrosive chemical agents. Maximum load ability is inferior.

**Version with bearing YAT**

The rubberised ring guarantees maximum protection against dusts.

**Supports with Microban® antibacterial protection**

Microban® material is effective against the most common bacteria that may grow in foodstuff like E. Coli, Salmonella, Listeria, S-Aureus, Campylobacter.

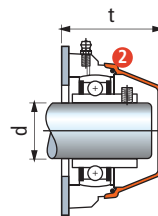
**Material**

Polyamide PA FV guarantees maximum strength and high-temperature resistance.

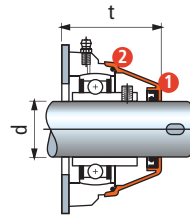
Polypropylene PP FV offers excellent resistance to chemical agents but inferior load ability.

**Protection covers ( accessories )**

**Closed cover**



**Open cover**



- 1 Seals
- 2 Seals O-Ring

dia. d mm	Accessories		t mm
	Cover orange	Code	
<b>Closed cover supplied with seals</b>			
30	63154		55
35*	63539		59
40*	600882		66
<b>Open cover supplied with seals</b>			
30	69965		55
35*	615692		59
40*	600892		66

\* = Version with special fixing holes.

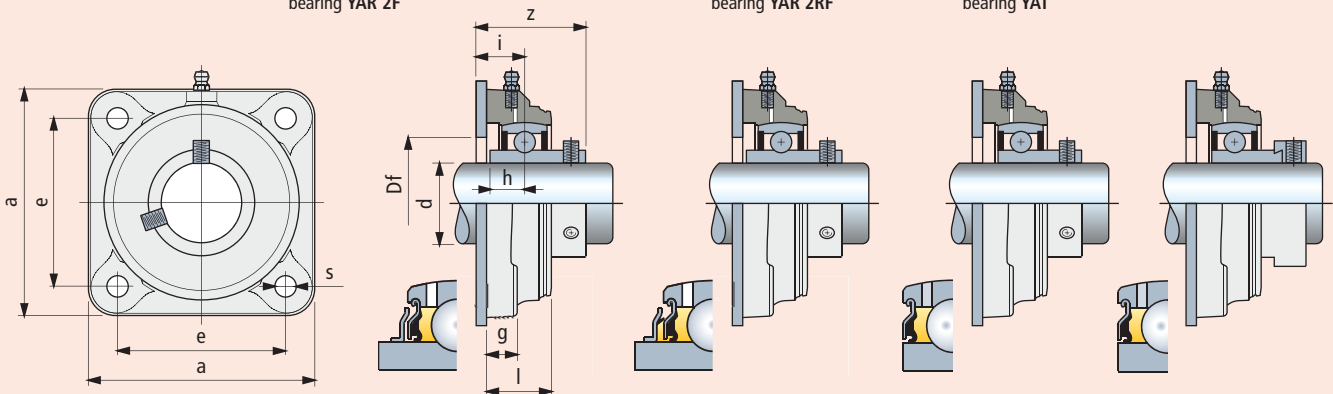
**Series UCFN  
Grub screws shaft locking**

Version with bearing YAR 2F

Version with bearing YAR 2RF

Version with bearing YAT

**Series HCFN  
Eccentric collar shaft locking**



## UCFN - SUCFN - HCFN - SHCFN

dia. d mm	Series	Housing material			Dimensions in mm									Bore in frame Df mm	Bearing	Weight Kg
		Polyamide PA FV Solid Flange (black)	Polyamide PA FV with Microban® Solid Flange (blue)	polypropylene PP FV with Microban® Solid Flange (white)	e	a	s	g	i	h	l	z				
		Code														
<b>Grub screws shaft locking • Version with bearing YAR 2F</b>																
30	UCFN 206	634103	-	-	83	110	11	15	20	15,9	31,5	41	34	YAR 206 2F	0,51	
35*	SUCFN 207	634113	-	-	83	110	11	15	19,5	17,5	31,5	43	39	YAR 207 2F	0,59	
40*	SUCFN 208	634123	-	-	83	110	11	15	19	19	31,5	44,3	44	YAR 208 2F	0,82	
<b>Grub screws shaft locking • Version with stainless steel bearing YAR 2RF</b>																
30	UCFN 206	634133	634223	634313	83	110	11	15	20	15,9	31,5	41	34	YAR 206 2RF	0,51	
35*	SUCFN 207	634143	634233	634323	83	110	11	15	19,5	17,5	31,5	43	39	YAR 207 2RF	0,59	
40*	SUCFN 208	634153	634243	634333	83	110	11	15	19	19	31,5	44,3	44	YAR 208 2RF	0,82	
<b>Grub screws shaft locking • Version with bearing YAT</b>																
30	UCFN 206	634163	634253	634343	83	110	11	15	20	-	31,5	46,7	34	YAT 206	0,48	
35*	SUCFN 207	634173	634263	634353	83	110	11	15	19,5	-	31,5	48,9	39	YAT 207	0,56	
40*	SUCFN 208	634183	634273	634363	83	110	11	15	19	-	31,5	51,7	44	YAT 208	0,79	
<b>Eccentric collar shaft locking</b>																
30	HCFN 206	634193	634283	634373	83	110	11	15	20	-	31,5	46,7	34	YET 206	0,55	
35*	SHCFN 207	634203	634293	634383	83	110	11	15	19,5	-	31,5	48,9	39	YET 207	0,76	
40*	SUCFN 208	634213	634303	634393	83	110	11	15	19	-	31,5	51,7	44	YET 208	0,98	

**Item code for order = B0000 + Code**

\* = Version with special fixing holes.

Packaging : 6 pieces.

# Square flange bearing units

UCF/C - SUCF/C - HCF/C - SHCF/C



- **Waterproof housing**
- **Grub screws or eccentric collar shaft locking**
- **PA FV polyamide housing**  
High mechanical and heat resistance.  
Proof to dust, humidity, washouts, steam, average aggressive chemical agents.
- **PP FV polypropylene housing**  
Proof to highly aggressive chemical agents.  
Inferior loading ability.
- **Solid flange bearings**  
They differ from standard flange versions for their closed surface structure, ideal for sanification.
- **Supports with Microban® antibacterial protection**  
Microban® material is effective against the most common bacteria that may grow in foodstuff like E. Coli, Salmonella, Listeria, S-Aureus, Campylobacter.

## Material

### PA FV polyamide housing

- Housing in reinforced polyamide PA FV resin ( black )
- Protection cover in polypropylene PP ( orange ) with Microban®
- Seal and O-Ring in NBR rubber ( black )
- Ball type nickel plated brass greasing nipple
- Reinforcing bushings on mounting holes and washers in stainless steel AISI 304.

### PA FV polyamide housing with Microban®

- Housing in reinforced polyamide PA FV resin ( blue ) with Microban®
- Protection cover in polypropylene PP ( orange ) with Microban®
- Seal and O-Ring in NBR rubber ( black )
- Ball type nickel plated brass greasing nipple
- Reinforcing bushings on mounting holes and washers in stainless steel AISI 304

### PP FV polypropylene housing with Microban®

- Housing in reinforced polypropylene PP FV resin ( white ) with Microban®
- Protection cover in polypropylene PP ( orange ) with Microban®
- Seal and O-Ring in NBR rubber ( black ).  
On request supplied in Viton rubber ( brown ).  
Viton material offers high resistance to chemical agents
- Ball type stainless steel AISI 316 greasing nipple
- Reinforcing bushings on mounting holes and washers in stainless steel AISI 316.

## Continuous operating temperature

in air : - 20 to + 60°C.

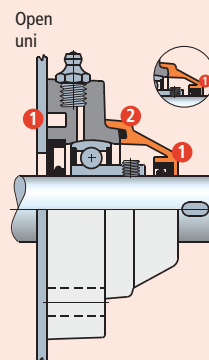
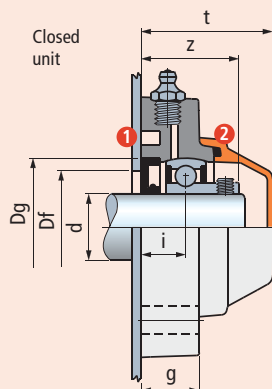
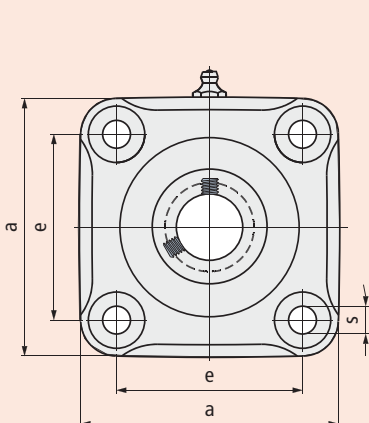
## Maximum allowed misalignment : 2°.

## Bearing

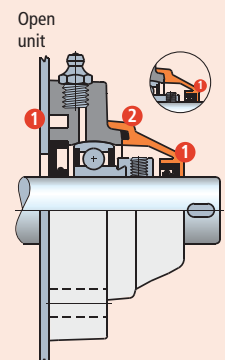
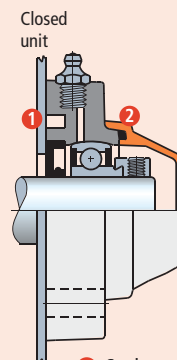


- Series YAT ( grub screws shaft locking )
- Series YET ( eccentric collar shaft locking )
- Chrome alloy steel
- Superagriseal unit
- Prelubricated with lithium / calcium grease
- Can be relubricated.

### Series UCF/C Grub screws shaft locking



### Series HCF/C Eccentric collar shaft locking



- 1 Seal.
- 2 O-Ring.



## UCF/C - SUCF/C - HCF/C - SHCF/C

dia. d mm	Series	Housing material			Dimensions in mm										Bore in frame <sup>2)</sup> Df		Weight Kg	Spare parts	
		Polyamide PA FV Standard Flange ( black ) Cover ( orange )	Polyamide PA FV with Microban® Solid Flange ( blue ) Cover ( orange )	Polypropylene PP FV with Microban® Solid Flange ( white ) Cover ( orange )	e	a	s	g	i	z	t	Dg	max.	min.	Bearing	Code			
<b>Grub screws shaft locking • Closed unit</b>																			
25	UCF 205 C	64573	651172	680932	70	98	11	22,5	16,8	36,3	49,5	52	50	45	YAT 205	0,40	681952		
25*	SUCF 205 C	603043	-	-	83	110	11	26	19,3	38,8	54	52	50	45	YAT 205	0,50	681952		
30	UCF 206 C	63112	651182	680942	83	110	11	26	20	41	56	62	60	50	YAT 206	0,56	63154		
35	UCF 207 C	64018	651192	680952	92	120	11	26	19,5	43	59	72	70	55	YAT 207	0,72	682022		
35*	SUCF 207 C	680522 <sup>1)</sup>	668982	680962	83	110	11	26	19,5	43	61	72	70	55	YAT 207	0,67	63539		
40	UCF 208 C	68916	651202	680972	102	131	11	30	22	47,3	65,5	80	78	65	YAT 208	0,95	63539		
40*	SUCF 208 C	61819	651212	680982	83	110	11	26	19	44,3	66	80	78	65	YAT 208	0,88	600882		
45*	SUCF 209 C	686592 <sup>1)</sup>	686672	686752	102	131	11	30	23	48,8	73	85	83	75	YAT 209	1,10	686972		
50*	SUCF 210 C	686602 <sup>1)</sup>	686682	686762	102	131	11	30	23	52	73	90	88	80	YAT 210	1,20	686972		
<b>Grub screws shaft locking • Open unit</b>																			
25	UCF 205 C	64623	651272	680992	70	98	11	22,5	16,8	36,3	49,5	52	50	45	YAT 205	0,40	681972		
25*	SUCF 205 C	603053	-	-	83	110	11	26	19,3	38,8	54	52	50	45	YAT 205	0,50	681972		
30	UCF 206 C	63172	651282	681002	83	110	11	26	20	41	56	62	60	50	YAT 206	0,56	69965		
35	UCF 207 C	64028	651292	681012	92	120	11	26	19,5	43	59	72	70	55	YAT 207	0,72	682032		
35*	SUCF 207 C	680582 <sup>1)</sup>	668992	681022	83	110	11	26	19,5	43	61	72	70	55	YAT 207	0,67	615692		
40	UCF 208 C	68926	651302	681032	102	131	11	30	22	47,3	65,5	80	78	65	YAT 208	0,95	63549		
40*	SUCF 208 C	61829	651312	681042	83	110	11	26	19	44,3	66	80	78	65	YAT 208	0,88	600892		
45*	SUCF 209 C	686612 <sup>1)</sup>	686692	686772	102	131	11	30	23	48,8	73	85	83	75	YAT 209	1,10	686992		
50*	SUCF 210 C	686622 <sup>1)</sup>	686702	686782	102	131	11	30	23	52	73	90	88	80	YAT 210	1,20	687002		
<b>Eccentric collar shaft locking • Closed unit</b>																			
25	HCF 205 C	680452	680712	681052	70	98	11	22,5	16,8	40,3	49,5	52	50	45	YET 205	0,44	681952		
25*	SHCF 205 C	603063	-	-	83	110	11	26	19,3	42,8	54	52	50	45	YET 205	0,57	681952		
30	HCF 206 C	621501	651372	681062	83	110	11	26	20	46,7	56	62	60	50	YET 206	0,63	63154		
35	HCF 207 C	680462	680722	681072	92	120	11	26	19,5	48,9	59	72	70	55	YET 207	0,90	682022		
35*	SHCF 207 C	680642 <sup>1)</sup>	669022	681082	83	110	11	26	19,5	48,9	61	72	70	55	YET 207	0,85	63539		
40*	SHCF 208 C	62439	651382	681092	83	110	11	26	19	51,7	66	80	78	65	YET 208	1,07	600882		
45*	SHCF 209 C	686632 <sup>1)</sup>	686712	686792	102	131	11	30	23	56	73	85	83	75	YET 209	1,29	686972		
50*	SHCF 210 C	686642	686722	686802	102	131	11	30	23	56	73	90	88	80	YET 210	1,39	686972		
<b>Eccentric collar shaft locking • Open unit</b>																			
25	HCF 205 C	680472	680732	681102	70	98	11	22,5	16,8	40,3	49,5	52	50	45	YET 205	0,44	681972		
25*	SHCF 205 C	603073	-	-	83	110	11	26	19,3	42,8	54	52	50	45	YET 205	0,57	681972		
30	HCF 206 C	621481	651412	681112	83	110	11	26	20	46,7	56	62	60	50	YET 206	0,63	69965		
35	HCF 207 C	680482	680742	681122	92	120	11	26	19,5	48,9	59	72	70	55	YET 207	0,90	682032		
35*	SHCF 207 C	680692 <sup>1)</sup>	669032	681132	83	110	11	26	19,5	48,9	61	72	70	55	YET 207	0,85	615692		
40*	SHCF 208 C	62449	651422	681142	83	110	11	26	19	51,7	66	80	78	65	YET 208	1,07	600892		
45*	SHCF 209 C	686652 <sup>1)</sup>	686732	686812	102	131	11	30	23	56	73	85	83	75	YET 209	1,29	686992		
50*	SHCF 210 C	686662 <sup>1)</sup>	686742	686822	102	131	11	30	23	56	73	90	88	80	YET 210	1,39	687002		

**Item code for order = B0000 + Code**

\* = Version with special fixing holes.

<sup>1)</sup> = Solid flange.<sup>2)</sup> = Dimensions Df max / Df min must be respected to ensure positive retention of the seals and to allow air bleeding during lubrication.

Packaging : 6 pieces.

● Best choice

● Standard

● On request

# Square flange bearing units

UCF/CL - SUCF/CL - HCF/CL - SHCF/CL

LIFE LUBRICATED



Dry use recommended



**Material**

**PA FV polyamide housing**

- Housing in reinforced polyamide PA FV resin ( black )
- Protection cover in polypropylene PP ( orange ) with Microban®
- Seal and O-Ring in NBR rubber ( black )
- Reinforcing bushings on mounting holes and washers in stainless steel AISI 304.

**Continuous operating temperature**

in air : - 20 to + 60°C.

**Maximum allowed misalignment : 2°.**

**Bearing**



- Series YAT ( grub screws shaft locking )
- Series YET ( eccentric collar shaft locking )
- Chrome alloy steel
- Superagriseal unit
- Prelubricated with lithium / calcium grease, no need for re-lubrication.

**Life lubricated**

The ball-bearings are pre-lubricated with a special grease keeping the bearing for its whole life. No need for re-lubrication ( see page B74 to calculate the grease life )

**Grub screws or eccentric collar shaft locking**

**PAFV polyamide housing**

High mechanical and heat resistance. Proof to dust, humidity, washouts, steam, average aggressive chemical agents.

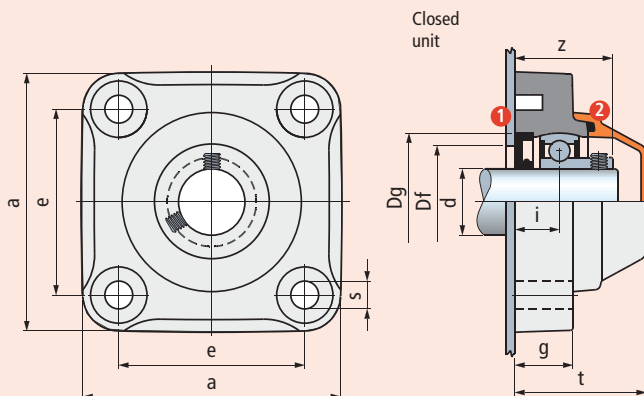
**Solid flange bearings**

They differ from standard flange versions for their closed surface structure, ideal for sanification.

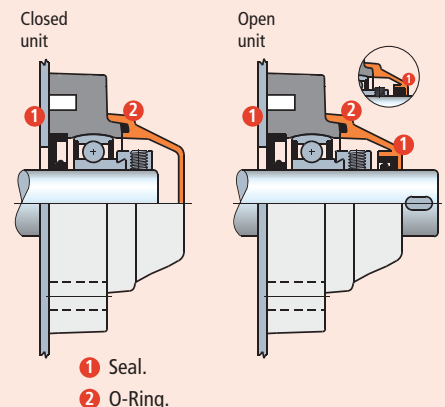
**Supports with Microban® antibacterial protection**

Microban® material is effective against the most common bacteria that may grow in foodstuff like E. Coli, Salmonella, Listeria, S-Aureus Campylobacter.

**Series UCF/CL  
Grub screws shaft locking**



**Series HCF/CL  
Eccentric collar shaft locking**



## UCF/CL - SUCF/CL - HCF/CL - SHCF/CL

dia. d mm	Series	Housing material	Dimensions in mm								Bore in frame Df		Weight Kg	Spare parts	
		Polyamide PA FV Standard Flange ( black ) Cover ( orange )	e	a	s	g	i	z	t	Dg	max.	min.		Bearing	Code
<b>Grub screws shaft locking • Closed unit</b>															
25	UCF 205 CL	64573L	70	98	11	22,5	16,8	36,3	49,5	52	50	45	YAT 205	0,40	681952
25*	SUCF 205 CL	603043L	83	110	11	26	19,3	38,8	54	52	50	45	YAT 205	0,50	681952
30	UCF 206 CL	63112L	83	110	11	26	20	41	56	62	60	50	YAT 206	0,56	63154
35	UCF 207 CL	64018L	92	120	11	26	19,5	43	59	72	70	55	YAT 207	0,72	682022
35*	SUCF 207 CL	-	83	110	11	26	19,5	43	61	72	70	55	YAT 207	0,67	-
40	UCF 208 CL	68916L	102	131	11	30	22	47,3	65,5	80	78	65	YAT 208	0,95	63539
40*	SUCF 208 CL	61819L	83	110	11	26	19	44,3	66	80	78	65	YAT 208	0,88	600882
45*	SUCF 209 CL	-	102	131	11	30	23	48,8	73	85	83	75	YAT 209	1,10	-
50*	SUCF 210 CL	-	102	131	11	30	23	52	73	90	88	80	YAT 210	1,20	-
<b>Grub screws shaft locking • Open unit</b>															
25	UCF 205 CL	64623L	70	98	11	22,5	16,8	36,3	49,5	52	50	45	YAT 205	0,40	681972
25*	SUCF 205 CL	603053L	83	110	11	26	19,3	38,8	54	52	50	45	YAT 205	0,50	681972
30	UCF 206 CL	63172L	83	110	11	26	20	41	56	62	60	50	YAT 206	0,56	69965
35	UCF 207 CL	64028L	92	120	11	26	19,5	43	59	72	70	55	YAT 207	0,72	682032
35*	SUCF 207 CL	-	83	110	11	26	19,5	43	61	72	70	55	YAT 207	0,67	-
40	UCF 208 CL	68926L	102	131	11	30	22	47,3	65,5	80	78	65	YAT 208	0,95	63549
40*	SUCF 208 CL	61829L	83	110	11	26	19	44,3	66	80	78	65	YAT 208	0,88	600892
45*	SUCF 209 CL	-	102	131	11	30	23	48,8	73	85	83	75	YAT 209	1,10	-
50*	SUCF 210 CL	-	102	131	11	30	23	52	73	90	88	80	YAT 210	1,20	-
<b>Eccentric collar shaft locking • Closed unit</b>															
25	HCF 205 CL	680452L	70	98	11	22,5	16,8	40,3	49,5	52	50	45	YET 205	0,44	681952
25*	SHCF 205 CL	603063L	83	110	11	26	19,3	42,8	54	52	50	45	YET 205	0,57	681952
30	HCF 206 CL	621501L	83	110	11	26	20	46,7	56	62	60	50	YET 206	0,63	63154
35	HCF 207 CL	680462L	92	120	11	26	19,5	48,9	59	72	70	55	YET 207	0,90	682022
35*	SHCF 207 CL	-	83	110	11	26	19,5	48,9	61	72	70	55	YET 207	0,85	-
40*	SHCF 208 CL	62439L	83	110	11	26	19	51,7	66	80	78	65	YET 208	1,07	600882
45*	SHCF 209 CL	-	102	131	11	30	23	56	73	85	83	75	YET 209	1,29	-
50*	SHCF 210 CL	-	102	131	11	30	23	56	73	90	88	80	YET 210	1,39	-
<b>Eccentric collar shaft locking • Open unit</b>															
25	HCF 205 CL	680472L	70	98	11	22,5	16,8	40,3	49,5	52	50	45	YET 205	0,44	681972
25*	SHCF 205 CL	603073L	83	110	11	26	19,3	42,8	54	52	50	45	YET 205	0,57	681972
30	HCF 206 CL	621481L	83	110	11	26	20	46,7	56	62	60	50	YET 206	0,63	69965
35	HCF 207 CL	680482L	92	120	11	26	19,5	48,9	59	72	70	55	YET 207	0,90	682032
35*	SHCF 207 CL	-	83	110	11	26	19,5	48,9	61	72	70	55	YET 207	0,85	-
40*	SHCF 208 CL	62449L	83	110	11	26	19	51,7	66	80	78	65	YET 208	1,07	600892
45*	SHCF 209 CL	-	102	131	11	30	23	56	73	85	83	75	YET 209	1,29	-
50*	SHCF 210 CL	-	102	131	11	30	23	56	73	90	88	80	YET 210	1,39	-

Item code for order = B0000 + Code

\* = Version with special fixing holes.

Packaging : 6 pieces.

 Best choice

 Standard

 On request

# Square flange bearing units

UCF - SUCF - HCF - SHCF



Accessories

## Material

### PA FV polyamide housing

- Housing in reinforced polyamide PA FV resin ( black )
- Ball type nickel plated brass greasing nipple
- Reinforcing bushings on mounting holes and washers in stainless steel AISI 304.

### PA FV polyamide housing with Microban®

- Housing in reinforced polyamide PAFV resin ( blue ) with Microban®
- Bearing in stainless steel AISI 420 • Ball type nickel plated brass greasing nipple
- Reinforcing bushings on mounting holes and washers in stainless steel AISI 304.

### PP FV polypropylene housing with Microban®

- Housing in reinforced polypropylene PP FV resin ( white ) with Microban®
- Bearing in stainless steel AISI 420
- Ball type stainless steel AISI 316 greasing nipple
- Reinforcing bushings on mounting holes and washers in stainless steel AISI 316.

## Continuous operating temperature

in air : - 20 to + 60°C.

## Maximum allowed misalignment : 2°.

## Bearing

- Series YAR 2F ( grub screws shaft locking, chrome alloy steel, Superagriseal unit plus centrifuging ring ) • Series YAR 2RF ( grub screws shaft locking, stainless steel AISI 420, Superagriseal unit plus rubberised centrifuging ring ) • Series YAT ( grub screws shaft locking, chrome alloy steel, Superagriseal unit ) • Series YET ( eccentric collar shaft locking, chrome alloy steel, Superagriseal unit )
- Prelubricated with lithium / calcium grease • Can be relubricated.

## Grub screws or eccentric collar shaft locking

### Version with bearing YAR 2F

The double ring guarantees maximum protection against dust and non-corrosive substances.

### Version with stainless steel bearing YAR 2RF

AISI 420 stainless steel bearing with 2 rubberised rings, provides excellent seal against humidity, steams, liquids, medium corrosive chemical agents. Maximum load ability is inferior.

### Version with bearing YAT

The rubberised ring guarantees maximum protection against dusts.

### Supports with Microban® antibacterial protection

Microban® material is effective against the most common bacteria that may grow in foodstuff like E. Coli, Salmonella, Listeria, S-Aureus, Campylobacter.

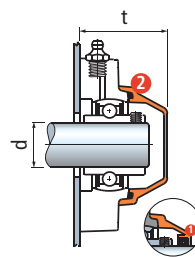
### Material

Polyamide PA FV guarantees maximum strength and high-temperature resistance.

Polypropylene PP FV offers excellent resistance to chemical agents but inferior load ability.

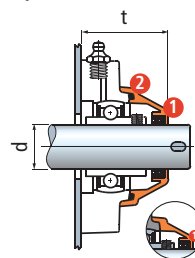
## Protection covers ( accessories )

### Closed cover



Dia 45/50 supplied without o-ring

### Open cover



Dia 45/50 supplied without o-ring

dia. d mm	Accessories	
	Cover orange Code	t mm
<b>Closed cover supplied with seals</b>		
25	681952	49,5
25*	681952	54
30	63154	56
35	682022	59
35*	63154	61
40	63539	65,5
40*	600882	66
45*	686972	73
50*	686972	73
<b>Open cover supplied with seals</b>		
25	681972	49,5
25*	681972	54
30	69965	56
35	682032	59
35*	615692	61
40	63549	65,5
40*	600892	66
45*	686992	73
50*	687002	73

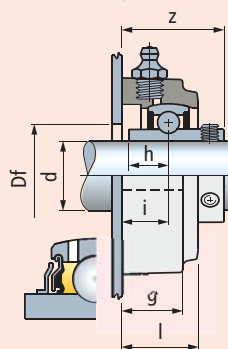
\* = Version with special fixing holes.

1 Seals

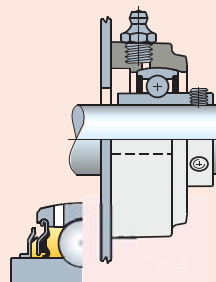
2 Seals O-Ring

## Series UCF Grub screws shaft locking

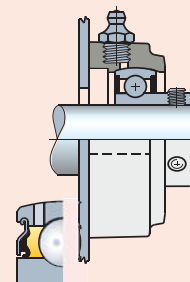
Version with bearing YAR 2F



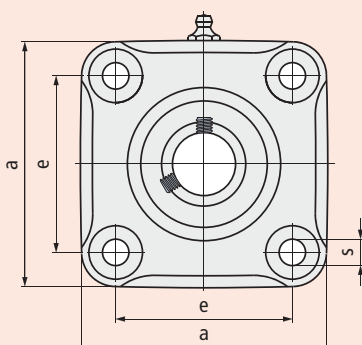
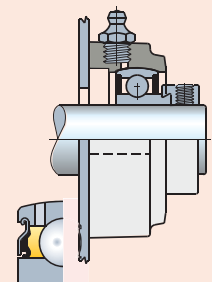
Version with bearing YAR 2RF



Version with bearing YAT



## Series HCF Eccentric collar shaft locking



dia. d mm	Series	Housing material			Dimensions in mm									Bore in frame Df mm	Bearing	Weight Kg
		Polyamide PA FV Standard Flange (black)	Polyamide PA FV with Microban® Solid Flange (blue)	polypropylene PP FV with Microban® Solid Flange (white)	e	a	s	g	i	h	l	z				
		Code														
<b>Grub screws shaft locking • Version with bearing YAR 2F</b>																
25	UCF 205	64533	-	-	70	98	11	22,5	16,8	14,3	27,5	36,6	29	YAR 205 2F	0,44	
25*	SUCF 205	603163	-	-	83	110	11	26	19,3	14,3	31,5	39,1	29	YAR 205 2F	0,51	
30	UCF 206	60722	-	-	83	110	11	26	20	15,9	32,5	42,2	34	YAR 206 2F	0,57	
35	UCF 207	64058	-	-	92	120	11	26	19,5	17,5	32	45	39	YAR 207 2F	0,72	
35*	SUCF 207	68465	-	-	83	110	11	26	15,5	17,5	31,5	40,9	50	YAR 207 2F	0,65	
40	UCF 208	68956	-	-	102	131	11	30	22	19	36	52,2	44	YAR 208 2F	0,95	
40*	SUCF 208	61719	-	-	83	110	11	26	19	19	36	52,2	55	YAR 208 2F	0,88	
45*	SUCF 209	689232	-	-	102	131	11	30	23	19	38	53,2	49	YAR 209 2F	0,95	
50*	SUCF 210	689242	-	-	102	131	11	30	23	19	38	55,6	54	YAR 210 2F	0,88	
<b>Grub screws shaft locking • Version with stainless steel bearing YAR 2RF</b>																
25	UCF 205	646592	681582	681642	70	98	11	22,5	16,8	14,3	27,5	36,6	29	YAR 205 2RF	0,44	
30	UCF 206	646602	681592	681652	83	110	11	26	20	15,9	32,5	42,2	34	YAR 206 2RF	0,57	
35	UCF 207	646612	681602	681662	92	120	11	26	19,5	17,5	32	45	39	YAR 207 2RF	0,72	
35*	SUCF 207	646622	681612	681672	83	110	11	26	15,5•	17,5	31,5	40,9	50	YAR 207 2RF	0,65	
40	UCF 208	646632	681622	681682	102	131	11	30	22	19	36	52,2	44	YAR 208 2RF	0,95	
40*	SUCF 208	646642	681632	681692	83	110	11	26	19	19	36	52,2	55	YAR 208 2RF	0,88	
<b>Grub screws shaft locking • Version with bearing YAT</b>																
25	UCF 205	656752	666612	681282	70	98	11	22,5	16,8	-	27,5	36,3	29	YAT 205	0,39	
25*	SUCF 205	603143	-	-	83	110	11	26	19,3	-	31,5	38,8	29	YAT 205	0,48	
30	UCF 206	666442	666622	681292	83	110	11	26	20	-	32,5	41	34	YAT 206	0,54	
35	UCF 207	666452	666632	681302	92	120	11	26	19,5	-	32	42,8	39	YAT 207	0,69	
35*	SUCF 207	682062	681212	681312	83	110	11	26	15,5•	-	31,5	38,8	39	YAT 207	0,62	
40	UCF 208	666462	666642	681322	102	131	11	30	22	-	36	47,3	44	YAT 208	0,92	
40*	SUCF 208	681552	681222	681332	83	110	11	26	19	-	36	48	44	YAT 208	0,85	
45*	SUCF 209	686852	686872	686892	102	131	11	30	23	-	38	48,8	49	YAT 209	0,87	
50*	SUCF 210	686862	686882	686902	102	131	11	30	23	-	38	50,6	54	YAT 210	1,04	
<b>Eccentric collar shaft locking</b>																
25	HCF 205	681562	681412	681502	70	98	11	22,5	16,8	-	27,5	40,3	29	YET 205	0,43	
25*	SHCF 205	603153	-	-	83	110	11	26	19,3	-	31,5	42,8	29	YET 205	0,55	
30	HCF 206	62329	681422	681512	83	110	11	26	20	-	32,5	46,7	34	YET 206	0,61	
35	HCF 207	681572	681432	681522	92	120	11	26	19,5	-	32	48,9	39	YET 207	0,87	
35*	SHCF 207	681392 <sup>1)</sup>	681442	681532	83	110	11	26	19,5	-	31,5	48,4	39	YET 207	0,82	
40*	SHCF 208	62349	681452	681542	83	110	11	26	19	-	36	51,7	44	YET 208	1,04	
45*	SHCF 209	686912	686932	686952	102	131	11	30	23	-	38	56	49	YET 209	0,87	
50*	SHCF 210	686922	686942	686962	102	131	11	30	23	-	38	56	54	YET 210	1,04	

**Item code for order = B0000 + Code**

\* = Version with special fixing holes.

<sup>1)</sup> = Solid flange.

• = Solid flange 19,5.

Packaging : 6 pieces.

# Square flange bearing units

## UCFS/C - SUCFS/C - HCFS/C - SHCFS/C



- Austenitic stainless steel surface
  - Waterproof housing
  - Grub screws or eccentric collar shaft locking
  - Solid flange
- Patent pending design with perfect seal: rubber makes one-body with steel and engineering plastic bearing seat.

### Material

- Housing in reinforced polyamide PA FV resin ( black )
- Austenitic stainless steel surface
- Sealing in NBR rubber ( black )
- Protection cover in polypropylene PP ( orange ) with Microban®
- Seal and O-Ring in NBR rubber ( black )
- Ball type nickel plated brass greasing nipple.

### Continuous operating temperature

in air : - 20 to + 60°C.

### Maximum allowed misalignment : 2°.

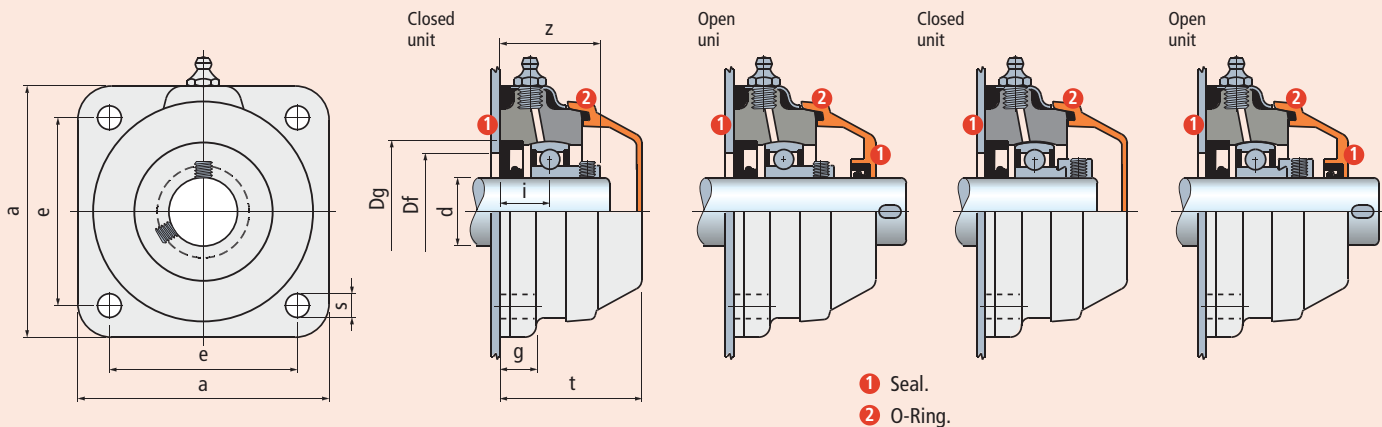
### Bearing



- Series YAT ( grub screws shaft locking )
- Series YET ( eccentric collar shaft locking )
- Chrome alloy steel
- Superagriseal unit
- Prelubricated with lithium / calcium grease
- Can be relubricated.

### Series UCFS/C Grub screws shaft locking

### Series HCFS/C Eccentric collar shaft locking



## UCFS/C - SUCFS/C - HCFS/C - SHCFS/C

dia. d mm	Series	Housing material	Dimensions in mm										Bore in frame <sup>1)</sup> Df		Bearing	Weight Kg	Spare parts
		Polyamide PA FV with austenitic stainless steel surface Solid Flange Cover (orange)	e	a	s	g	i	z	t	Dg	max.	min.	Code				
<b>Grub screws shaft locking • Closed unit</b>																	
30	UCFS 206 C	615622	83	111	10,5	15,9	22	43	65,8	62	60	50	YAT 206	0,73	63539		
35*	SUCFS 207 C	615632	83	111	10,5	15,9	22	45,3	65,8	72	70	55	YAT 207	0,84	63539		
40*	SUCFS 208 C	615642	83	111	10,5	15,9	22	47,3	65,8	80	78	65	YAT 208	0,94	63539		
<b>Grub screws shaft locking • Open unit</b>																	
30	UCFS 206 C	615652	83	111	10,5	15,9	22	43	65,8	62	60	50	YAT 206	0,73	615682		
35*	SUCFS 207 C	615662	83	111	10,5	15,9	22	45,3	65,8	72	70	55	YAT 207	0,84	615692		
40*	SUCFS 208 C	615672	83	111	10,5	15,9	22	47,3	65,8	80	78	65	YAT 208	0,94	63549		
<b>Eccentric collar shaft locking • Closed unit</b>																	
30	HCFS 206 C	670402	83	111	10,5	15,9	22	49	65,8	62	60	50	YET 206	0,80	63539		
35*	SHCFS 207 C	670412	83	111	10,5	15,9	22	51,4	65,8	72	70	55	YET 207	0,90	63539		
40*	SHCFS 208 C	670422	83	111	10,5	15,9	22	55	65,8	80	78	65	YET 208	1,00	63539		
<b>Eccentric collar shaft locking • Open unit</b>																	
30	HCFS 206 C	670432	83	111	10,5	15,9	22	49	65,8	62	60	50	YET 206	0,80	615682		
35*	SHCFS 207 C	670442	83	111	10,5	15,9	22	51,4	65,8	72	70	55	YET 207	0,90	615692		
40*	SHCFS 208 C	670452	83	111	10,5	15,9	22	55	65,8	80	78	65	YET 208	1,00	63549		

**Item code for order = B0000 + Code**

\* = Version with special fixing holes.

<sup>1)</sup> = Dimensions Df max / Df min must be respected to ensure positive retention of the seals and to allow air bleeding during lubrication.

Packaging : 6 pieces.

# Square flange bearing units

## F - SF



- **Waterproof housing**
- **Shaft shoulders locking**  
High axial load capacity.
- **PA FV polyamide housing**  
High mechanical and heat resistance.  
Proof to dust, humidity, washouts, steam,  
average aggressive chemical agents
- **PP FV polypropylene housing**  
Proof to highly aggressive chemical agents.  
Inferior loading ability.

### Material

#### PA FV polyamide housing

- Housing in reinforced polyamide PA FV resin ( black )
- Seal and O-Ring in NBR rubber ( black )
- Ball type nickel plated brass greasing nipple
- Reinforcing bushings on mounting holes and washers in stainless steel AISI 304.

#### PP FV polypropylene housing

- Housing in reinforced polypropylene PP FV resin ( black )
- Seal and O-Ring in NBR rubber ( black ).  
On request supplied in Viton rubber ( brown ).  
Viton material offers high resistance to chemical agents.
- Ball type stainless steel AISI 316 greasing nipple
- Reinforcing bushings on mounting holes and washers in stainless steel AISI 316.

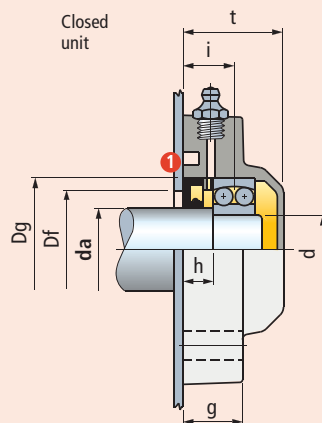
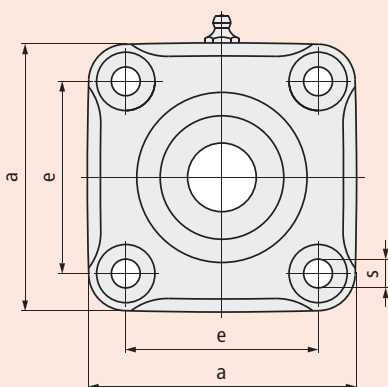
### Continuous operating temperature

n air : - 20 to + 60°C.

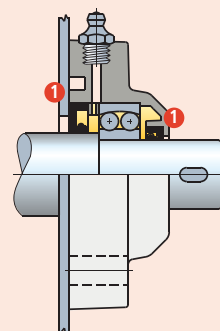
### Maximum allowed misalignment : 2°.

### Bearing

- Series 1200 self aligning ball bearing
- Chrome alloy steel
- Supplied without grease
- To be prelubricated with lithium / calcium grease during first installation.



Open unit



1 Seal.



Shaft dia. da mm	Bearing dia. d mm	Series	Housing material		e	a	Dimensions in mm					Bore in frame <sup>1)</sup> Df		Bearing	Weight Kg	
			Polyamide PA FV Standard Flange (black)	Polypropylene PP FV Standard Flange (black)			s	g	i	h	t	Dg	max.			min.
<b>Closed unit</b>																
30	25	F 1205	64433	681702	70	98	11	22,5	18,5	11	36,5	52	50	47	1205	0,36
35	30	F 1206	65811	681712	83	110	11	26	19	11	40	62	60	52	1206	0,53
40	35	F 1207	63978	681722	92	120	11	26	19,5	11	39,5	72	70	60	1207	0,62
40*	35*	SF 1207	699782	699802	83	110	11	26	19	10	39	72	70	60	1207	0,60
45	40	F 1208	68876	681732	102	131	11	30	24,5	15,5	45	80	78	65	1208	0,85
45*	40*	SF 1208	69988	681742	83	110	11	26	19	10	39	80	78	65	1208	0,78
<b>Open unit</b>																
30	25	F 1205	64483	681752	70	98	11	22,5	18,5	11	36,5	52	50	47	1205	0,36
35	30	F 1206	65901	681762	83	110	11	26	19	11	40	62	60	52	1206	0,53
40	35	F 1207	63988	681772	92	120	11	26	19,5	11	39,5	72	70	60	1207	0,62
40*	35*	SF 1207	699792	699812	83	110	11	26	19	10	39	72	70	60	1207	0,60
45	40	F 1208	68886	681782	102	131	11	30	24,5	15,5	45	80	78	65	1208	0,85
45*	40*	SF 1208	69998	681792	83	110	11	26	19	10	39	80	78	65	1208	0,78

**Item code for order = B0000 + Code**

\* = Version with special fixing holes.

<sup>1)</sup> = Dimensions Df max / Df min must be respected to ensure positive retention of the seals and to allow air bleeding during lubrication.

Packaging : 6 pieces.

**AUSTRALIA**

Rexnord Australia Pty. Ltd.  
Picton, New South Wales  
Phone: 61-2-4677-3811  
Fax: 61-2-4677-3812

**BRAZIL**

Rexnord Correntes Ltda.  
Sao Leopoldo - RS  
Phone: 55-51-579-8022  
Fax: 55-51-579-8029

**CANADA**

Rexnord Canada Ltd.  
Scarborough, Ontario  
Phone: 1-416-297-6868  
Fax: 1-416-297-6873

**CHINA**

Rexnord China  
Shanghai  
Phone: 86-21-62701942  
Fax: 86-21-62701943

**FLATTOP EUROPE**

Rexnord FlatTop Europe b.v.  
's-Gravenzande, The Netherlands  
Phone: 31-174-445-111  
Fax: 31-174-445-222

Rexnord Marbett S.r.L.  
Correggio (RE), Italy  
Phone: 39-0522-639333  
Fax: 39-0522-637778

**UNITED STATES**

Customer Service  
Phone: 1-866-REXNORD  
(1-866-739-6673)  
Fax: 1-614-675-1898  
E-mail: rexnordcs(state)@rexnord.com  
Example: rexnordcsohio@rexnord.com

Rexnord FlatTop North America  
Grafton, Wisconsin  
Phone: 1-262-376-4700  
Fax: 1-262-376-4720

Rexnord International - Power Transmission  
Milwaukee, Wisconsin  
Phone: 1-414-643-2366  
Fax: 1-414-643-3222  
E-mail: international2@rexnord.com

**ALL COUNTRIES NOT LISTED**

Rexnord FlatTop Europe b.v.  
's-Gravenzande, The Netherlands  
Phone: 31-174-445-111  
Fax: 31-174-445-222

**After Hours/Emergency Phone:**  
31-174-445-112



www.rexnordflattop.com  
flattopeurope@rexnord.com