

PRODUCT CATALOGUE
2009

MARBETT®
CONVEYOR COMPONENTS
SUPPORTING AND LEVELLING ELEMENTS
SELF-ALIGNING BEARINGS



FlatTop Europe

REXNORD
PRECISION. POWER. PERFORMANCE.

Take-up bearing units

UCT/C - HCT/C



- **Waterproof housing**
- **Grub screws or eccentric collar shaft locking**
- **PA FV polyamide housing**
High mechanical and heat resistance.
Proof to dust, humidity, washouts, steam, average aggressive chemical agents.
- **PP FV polypropylene housing**
Proof to highly aggressive chemical agents.
Inferior loading ability.
- **Supports with Microban® antibacterial protection**
Microban® material is effective against the most common bacteria that may grow in foodstuff like E. Coli, Salmonella, Listeria, S-Aureus, Campylobacter.

Material

PA FV polyamide housing

- Housing in reinforced polyamide PA FV resin (black)
- Protection cover in polypropylene PP (orange) with Microban®
- Seal and O-Ring in NBR rubber (black)
- Ball type nickel plated brass greasing nipple
- Threaded insert in nickel plated brass.

PA FV polyamide housing with Microban®

- Housing in reinforced polyamide PA FV resin (blue) with Microban®
- Protection cover in polypropylene PP (orange) with Microban®
- Seal and O-Ring in NBR rubber (black)
- Ball type nickel plated brass greasing nipple
- Threaded insert in nickel plated brass.

PP FV polypropylene housing with Microban®

- Housing in reinforced polypropylene PP FV resin (white) with Microban®
- Protection cover in polypropylene PP (orange) with Microban®
- Seal and O-Ring in NBR rubber (black).
On request supplied in Viton rubber (brown).
Viton material offers high resistance to chemical agents
- Ball type stainless steel AISI 316 greasing nipple
- Threaded insert in nickel plated brass.

Continuous operating temperature

in air : - 20 to + 60°C.

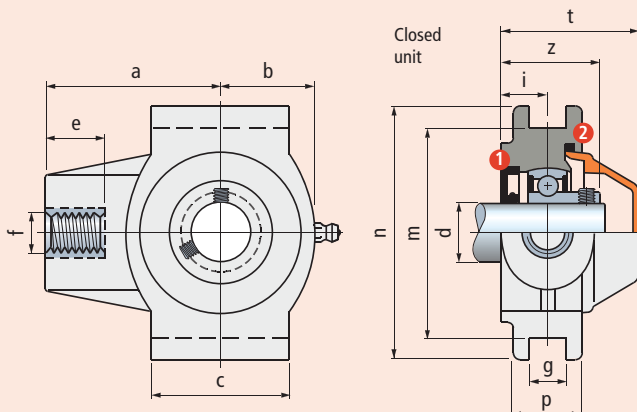
Maximum allowed misalignment : 2°.

Bearing

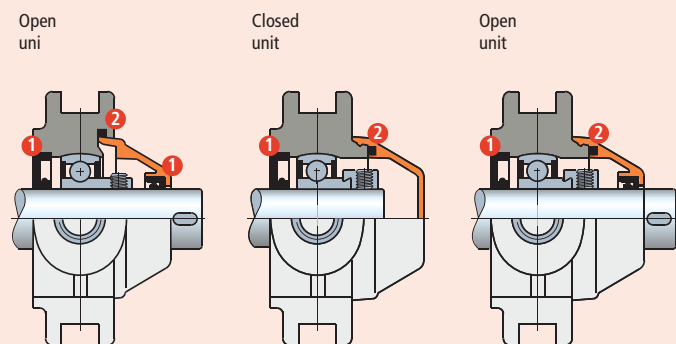


- Series YAT (grub screws shaft locking)
- Series YET (eccentric collar shaft locking)
- Chrome alloy steel
- Superagriseal unit
- Prelubricated with lithium / calcium grease
- Can be relubricated.

• Series UCT/C Grub screws shaft locking



• Series HCT/C Eccentric collar shaft locking



- 1 Seal.
- 2 O-Ring.

dia. d mm	Series	Housing material			Dimensions in mm													Bearing	Weight Kg	Spare parts
		Polyamide PA FV Flange (black) Cover (orange)	Polyamide PA FV with Microban® Flange (blue) Cover (orange)	Polypropylene PP FV with Microban® Flange (white) Cover (orange)	a	b	c	e	f	g	i	m	n	p	z	t	Code			
Grub screws shaft locking • Closed unit																				
20	UCT 204 C	666952	667072	677592	63,5	34	50	28	M 16	13,5	17	76,2	92	25	35,5	50	YAT 204	0,33	681862	
25	UCT 205 C	666962	667082	677602	68,5	39,5	50	28	M 20	13,5	17	76,2	92	25	37,5	52	YAT 205	0,39	681872	
30	UCT 206 C	666972	667092	677612	77	48	57	28	M 24	13,5	18,5	89	104	28	39,5	55	YAT 206	0,50	667812	
Grub screws shaft locking • Open unit																				
20	UCT 204 C	666982	667102	677622	63,5	34	50	28	M 16	13,5	17	76,2	92	25	35,5	50	YAT 204	0,33	681882	
25	UCT 205 C	666992	667112	677632	68,5	39,5	50	28	M 20	13,5	17	76,2	92	25	37,5	52	YAT 205	0,39	681892	
30	UCT 206 C	667002	667122	677642	77	48	57	28	M 24	13,5	18,5	89	104	28	39,5	55	YAT 206	0,50	667932	
Eccentric collar shaft locking • Closed unit																				
20	HCT 204 C	667012	667132	677652	63,5	34	50	28	M 16	13,5	17	76,2	92	25	42	57	YET 204	0,36	681942	
25	HCT 205 C	667022	667142	677662	68,5	39,5	50	28	M 20	13,5	17	76,2	92	25	43	58	YET 205	0,42	681952	
30	HCT 206 C	667032	667152	677672	77	48	57	28	M 24	13,5	18,5	89	104	28	47	62	YET 206	0,53	63154	
Eccentric collar shaft locking • Open unit																				
20	HCT 204 C	667042	667162	677682	63,5	34	50	28	M 16	13,5	17	76,2	92	25	42	57	YET 204	0,36	681962	
25	HCT 205 C	667052	667172	677692	68,5	39,5	50	28	M 20	13,5	17	76,2	92	25	43	58	YET 205	0,42	681972	
30	HCT 206 C	667062	667182	677702	77	48	57	28	M 24	13,5	18,5	89	104	28	47	62	YET 206	0,53	69965	

Item code for order = B0000 + Code

Packaging : 6 pieces.

**AUSTRALIA**

Rexnord Australia Pty. Ltd.
Picton, New South Wales
Phone: 61-2-4677-3811
Fax: 61-2-4677-3812

BRAZIL

Rexnord Correntes Ltda.
Sao Leopoldo - RS
Phone: 55-51-579-8022
Fax: 55-51-579-8029

CANADA

Rexnord Canada Ltd.
Scarborough, Ontario
Phone: 1-416-297-6868
Fax: 1-416-297-6873

CHINA

Rexnord China
Shanghai
Phone: 86-21-62701942
Fax: 86-21-62701943

FLATTOP EUROPE

Rexnord FlatTop Europe b.v.
's-Gravenzande, The Netherlands
Phone: 31-174-445-111
Fax: 31-174-445-222

Rexnord Marbett S.r.L.
Correggio (RE), Italy
Phone: 39-0522-639333
Fax: 39-0522-637778

UNITED STATES

Customer Service
Phone: 1-866-REXNORD
(1-866-739-6673)
Fax: 1-614-675-1898
E-mail: rexnordcs(state)@rexnord.com
Example: rexnordcsohio@rexnord.com

Rexnord FlatTop North America
Grafton, Wisconsin
Phone: 1-262-376-4700
Fax: 1-262-376-4720

Rexnord International - Power Transmission
Milwaukee, Wisconsin
Phone: 1-414-643-2366
Fax: 1-414-643-3222
E-mail: international2@rexnord.com

ALL COUNTRIES NOT LISTED

Rexnord FlatTop Europe b.v.
's-Gravenzande, The Netherlands
Phone: 31-174-445-111
Fax: 31-174-445-222

After Hours/Emergency Phone:
31-174-445-112



www.rexnordflattop.com
flattopeurope@rexnord.com