

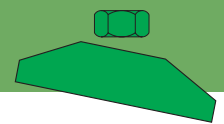
PRODUCT CATALOGUE
2009

MARBETT®
CONVEYOR COMPONENTS
SUPPORTING AND LEVELLING ELEMENTS
SELF-ALIGNING BEARINGS



FlatTop Europe

REXNORD
PRECISION. POWER. PERFORMANCE.



- **Best choice**
- ✓ **Standard**
- **On request**

Part. R0701
Part. R0702
Part. R0703

Code	Feet in zinc plated steel	Feet in zinc plated steel with yellow painted base	Weight Kg	Dimensions (mm)		
				Ø C	A	H
R0701				Ø 80	130	39 (min) 51 (max)
R0702				Ø 120	130	47 (min) 60 (max)
R0703				Ø 160	183	54 (min) 69 (max)

- Packaging : 8 pieces (for Part. 701 - 702), 4 pieces (for Part. 703).
- Characteristics : specially designed to absorb vibrations and shocks in both horizontal and vertical directions. Accurate height adjustment. High adhesion to the floor.
- Application : cutting-and bending machines for sheet metal. Injection molding machines for plastics. Lathes, cutting-and grinding machines. Machines for the textile and printing industry.



Table 1	Load applied per foot (Kgf)						
	min.		max.		min.		
	Part. 701	Part. 702	Part. 703	Part. 701	Part. 702	Part. 703	
Min. rotation (rpm) or min. strokes/min	100	85	360	230	940	275	
	120	85	210	230	600	275	
	140	85	180	230	560	275	
	160	85	120	230	350	275	
	180	85	95	230	290	275	
	200			230	260	275	
	220					275	
	Zone of resonance (do not use vibration absorbing elements)						
	1200	475	525	1140	1260	1710	1890
	1400	400	525	1040	1260	1650	1890
	1600	320	525	810	1260	1340	1890
	1800	240	525	640	1260	1080	1890
	2000	180	525	490	1260	800	1890
	2200	140	525	440	1260	700	1890
	2400	120	525	380	1260	640	1890
2600	100	525	300	1260	560	1890	
2800			240	1260	420	1890	
3000			200	1260	400	1890	
3500					300	1890	

When to use vibration absorbing feet
In case in a machine frequent "vibrations or shocks" occur, it will be necessary to use vibration absorbing feet instead of our standard feet. Because of the natural characteristics of the rubber elements, the selection of the proper type is very important. In a certain range of vibrations or shocks a resonance will occur, in another range of vibrations the feet will not absorb any vibrations at all. It is therefore important to follow exactly our selection procedure.

Selection procedure
1) Calculation of the load on each foot
In the following formula we have considered that the weight of the machine is divided equally over the feet :
$$\frac{\text{Weight of the machine (Kg)}}{\text{Number of feet}} = \text{(Kgf)}$$

2) Selection of the type of vibration absorbing foot - Table 1
The selection of the type of a vibration absorbing foot depends on the load on each foot and the lowest number of revolutions (or number of shocks) of the machine.

Examples of selection

1) Support for a lathe
Given data : - Weight of the lathe : 2200 Kg.
- Minimum speed : 140 rpm.
- Quantity of feet : 4.
Selection : the load on each foot is
$$\frac{2200}{4} = 550 \text{ Kgf}$$

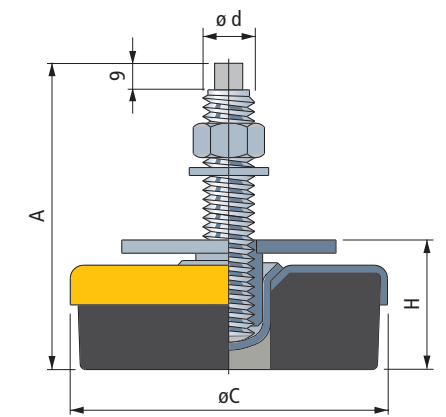
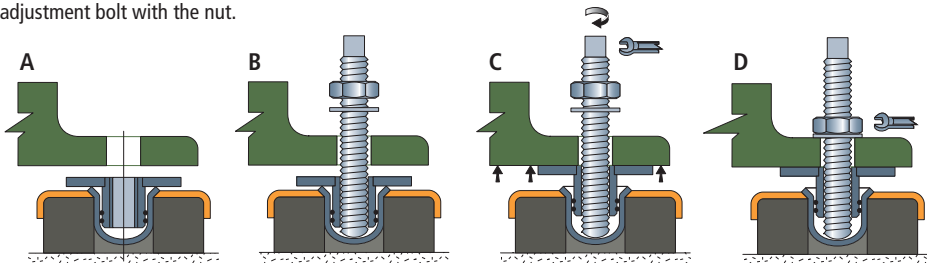
According to table 1 Part. 702 should be taken.

1) Supports for a metal press
Given data : - Weight of the press : 3900 Kg.
- Min. number of shocks : 120 strokes/min.
- Quantity of feet : 6.
Selection : the load on each foot is
$$\frac{3900}{6} = 650 \text{ Kgf}$$

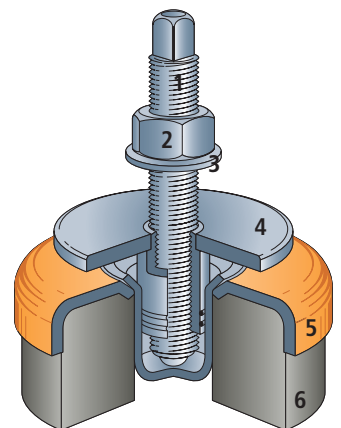
According to table 1 Part. 703 should be taken.

Mounting instructions

A) Lift the machine. Position the footplate. B) Mount the adjustment bolt with the nut and washer. C) By turning the adjustment bolt further, the support plate will lift until the desired height has been reached. D) Lock the adjustment bolt with the nut.



Components of the feet



- 1 - Adjustment bolt. Fine thread
- 2 - Locking nut. UNI 5588 - 65.
- 3 - Washer UNI 6592 - 69. DIN 125 A.
- 4 - Support plate. Adjustable in height.
- 5 - Reinforcement plate.
- 6 - Anti-slip in NBR rubber black (80 Shore).

AUSTRALIA

Rexnord Australia Pty. Ltd.
Picton, New South Wales
Phone: 61-2-4677-3811
Fax: 61-2-4677-3812

BRAZIL

Rexnord Correntes Ltda.
Sao Leopoldo - RS
Phone: 55-51-579-8022
Fax: 55-51-579-8029

CANADA

Rexnord Canada Ltd.
Scarborough, Ontario
Phone: 1-416-297-6868
Fax: 1-416-297-6873

CHINA

Rexnord China
Shanghai
Phone: 86-21-62701942
Fax: 86-21-62701943

FLATTOP EUROPE

Rexnord FlatTop Europe b.v.
's-Gravenzande, The Netherlands
Phone: 31-174-445-111
Fax: 31-174-445-222

Rexnord Marbett S.r.L.
Correggio (RE), Italy
Phone: 39-0522-639333
Fax: 39-0522-637778

UNITED STATES

Customer Service
Phone: 1-866-REXNORD
(1-866-739-6673)
Fax: 1-614-675-1898
E-mail: rexnordcs(state)@rexnord.com
Example: rexnordcsohio@rexnord.com

Rexnord FlatTop North America
Grafton, Wisconsin
Phone: 1-262-376-4700
Fax: 1-262-376-4720

Rexnord International - Power Transmission
Milwaukee, Wisconsin
Phone: 1-414-643-2366
Fax: 1-414-643-3222
E-mail: international2@rexnord.com

ALL COUNTRIES NOT LISTED

Rexnord FlatTop Europe b.v.
's-Gravenzande, The Netherlands
Phone: 31-174-445-111
Fax: 31-174-445-222

After Hours/Emergency Phone:
31-174-445-112



www.rexnordflattop.com
flattopeurope@rexnord.com