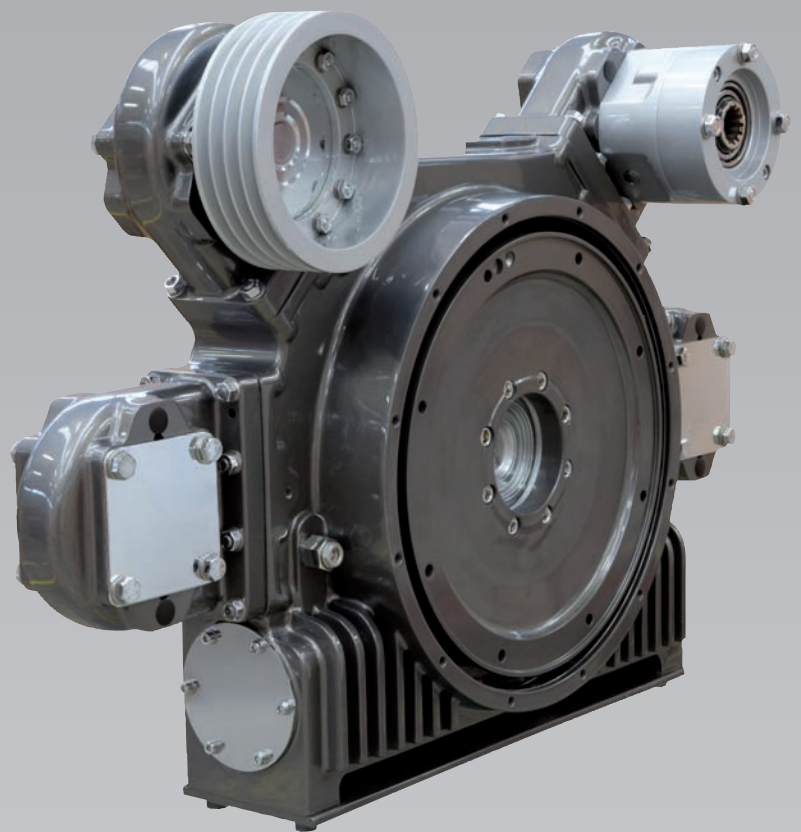


TRANSFLUID



TRANSFLUID

trasmissioni industriali



drive with us

STELLADRIVE

MPD-MULTI PUMP DRIVE

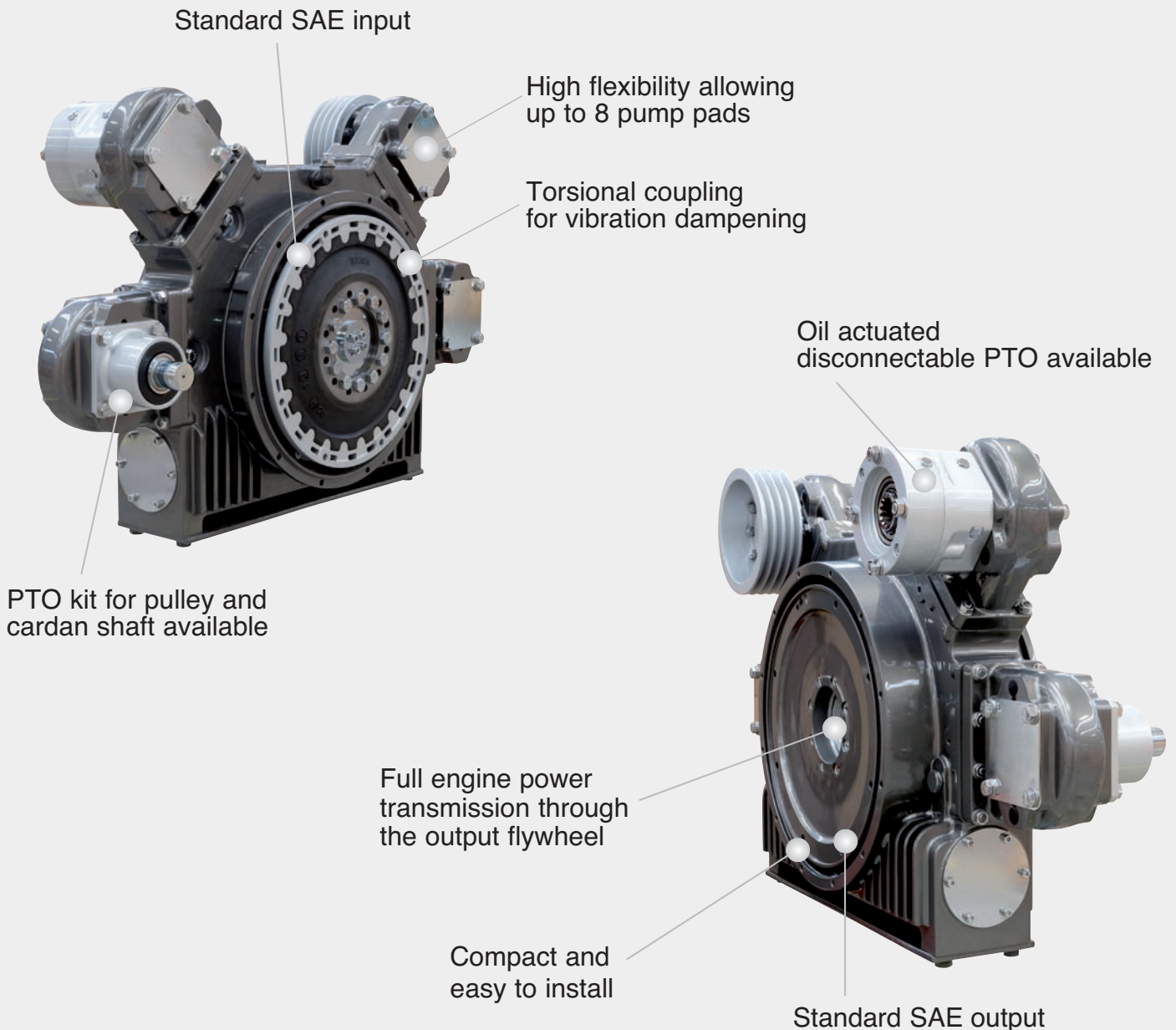
The MPD STELLADRIVE is an innovative module that fits between an engine and a transmission to drive a multiple hydraulic pumps.

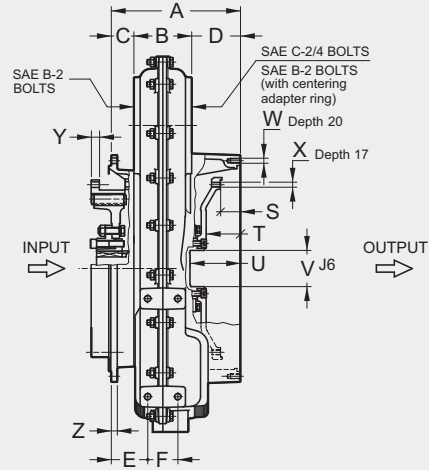
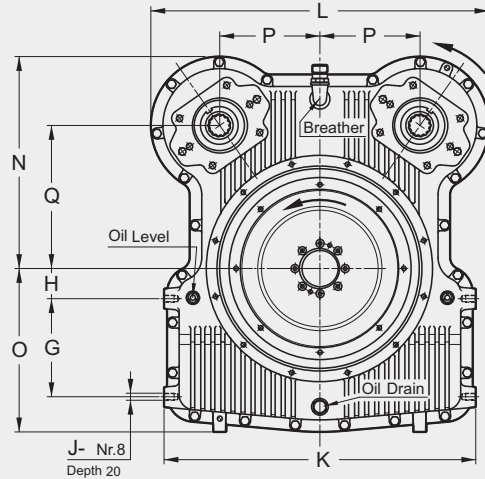
The MPD mounts directly to the engine SAE housing and flywheel and uses an integrated flexible coupling to dampen torsional vibrations and compensate for misalignment.

The output is a SAE dummy flywheel and housing that connects to any SAE driven equipment such as marine transmissions or PTOs like Transfluid's HFO/HFR/HFF (oil/air actuated PTO), KPTO (fluid coupling) and PF-PTO (PTO with RBD rubber coupling).

The units are self-contained with their own lubrication circuit.

Foot mounted designs are available. In case of installation on the output side of devices having an elastic coupling, Transfluid requires full information about it in order to check the torsional compatibility of the system.

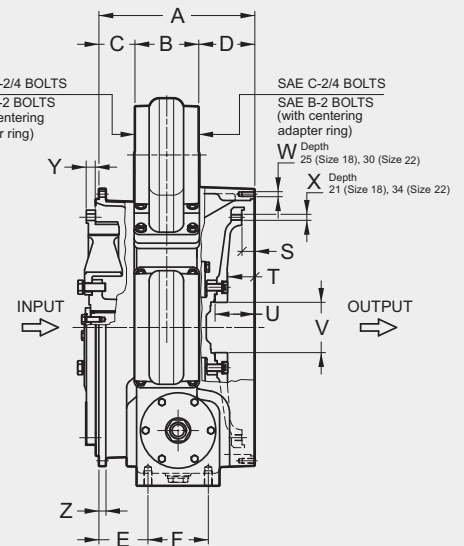
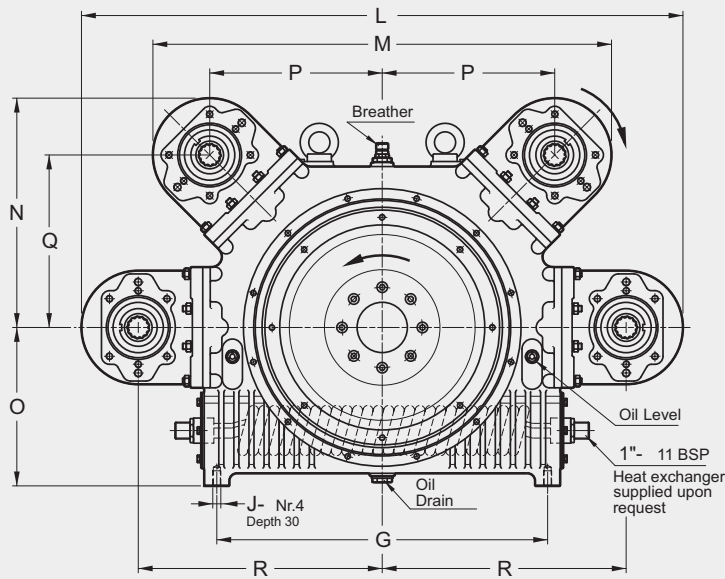




MPD 14

DIMENSIONS																											
SIZE	SAE INPUT	SAE OUTPUT	A	B	C	D	E	F	G	H	J	K	L	N	O	P	Q	S	T	U	V	W		X		Y	Z
																						Dia.	Nr.	Dia.	Nr.		
14	3 - 1 1/2"	3 - 1 1/2"	257	115	45	97	72.5	60	195	60	M14	620	673	422	325	199.2	284.5	39.6	68.1	100	72	M10	12	M10	8	52	12
	2 - 1 1/2"		282		70		97.5																			12	14
	1 - 14"																										

TECHNICAL DATA							
SIZE	Weight w/o oil kg	Oil Quantity lt	Max speed rpm	Max input torque Nm	Total Heads kW	Single Head kW	Ratio (n1:n2)
14	195	12.5	2600	2000	175	120	1.0



MPD 18-22

DIMENSIONS																											
SIZE	SAE INPUT	SAE OUTPUT	A	B	C	D	E	F	G	J	L	M	N	O	P	Q	R	S	T	U	V	W		X		Y	Z
																						Dia.	Nr.	Dia.	Nr.		
18	1 - 14"	1 - 14"	310	127	71.5	111.5	97.5	120	658	M16	1197	913	456.5	315	343	343	485.2	25.4	53.5	79	100	M10	12	M12	8	18	14
22	1 - 14"	0 - 18"	374		119	128	134	130	772	M18	1326	1004	502	415	388.7	388.7	549.7	15.7	48.2	81	150	M12	16	M16	6	85	15
	0 - 18"		363	108																							

TECHNICAL DATA							
SIZE	Weight w/o oil 4 heads kg*	Oil Quantity lt	Max speed rpm	Max input torque Nm	Total Heads kW**	Single Head kW**	Ratio (n1:n2)
18	350	18	2200	3350	300	120	1.0 (0.88)
22	530	35	2100	6300	400	175	0.95

* deduct 20 kg for each head

** @ max. speed

*** not SAE standard

Dimensions are subject to alteration without notice

SPD - DUAL PUMP DRIVE

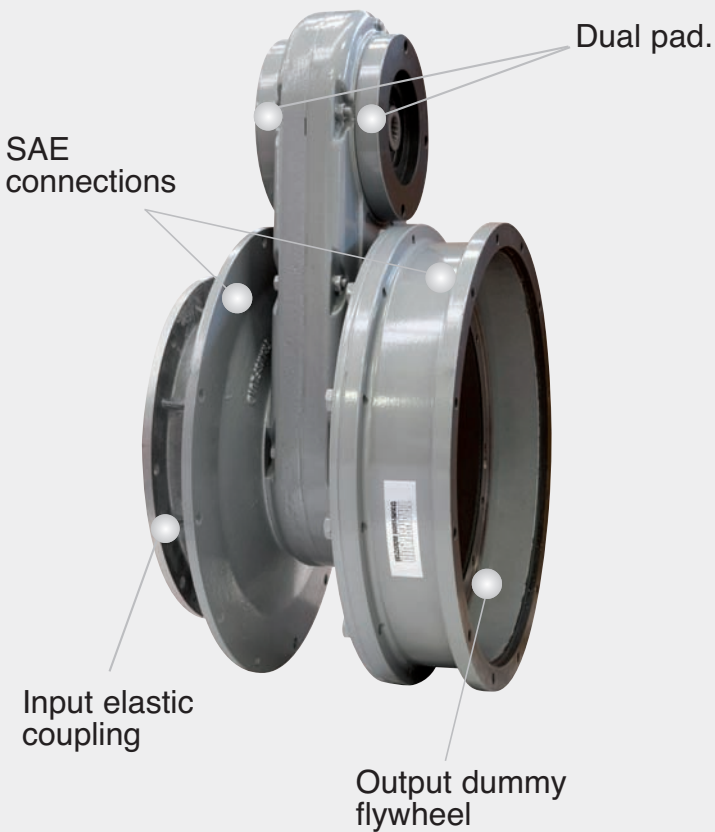
The SPD is an innovative modular pump drive designed to be mounted on industrial engines with SAE flywheels and housings.

The input is a rugged Rubber Block Drive flywheel coupling. This elastic coupling absorbs radial and angular misalignments as well as dampens torsional vibrations.

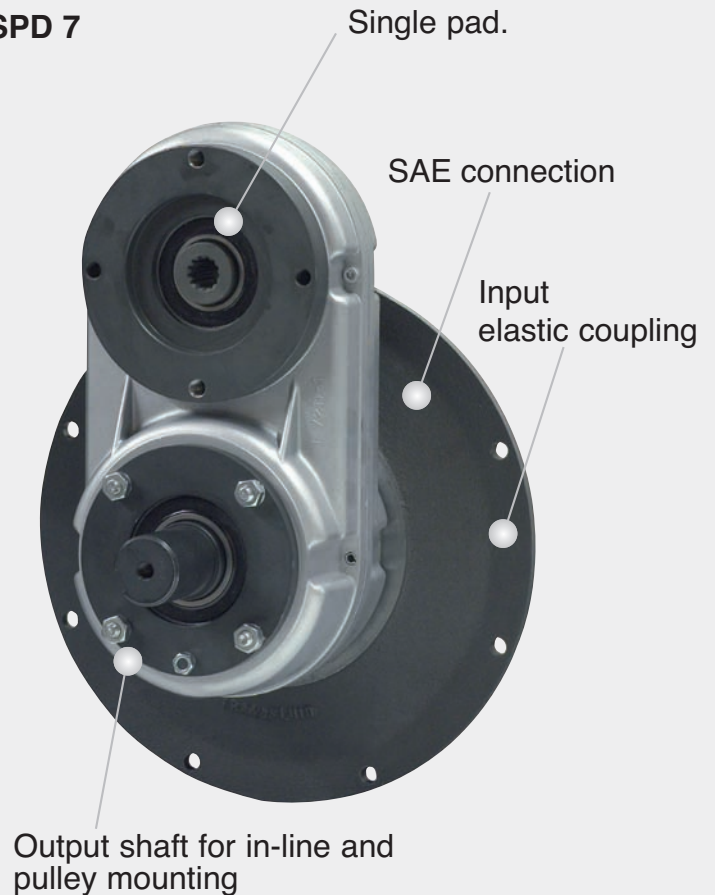
The SPD 11 output is a dual pad SAE A or B pump tower as well as SAE flywheel and flywheel housing. To allow for easy installation the pump tower can be mounted in 12 possible positions over 360 degrees. The output flywheel can accept transmissions, pumps, compressors and PTO's.

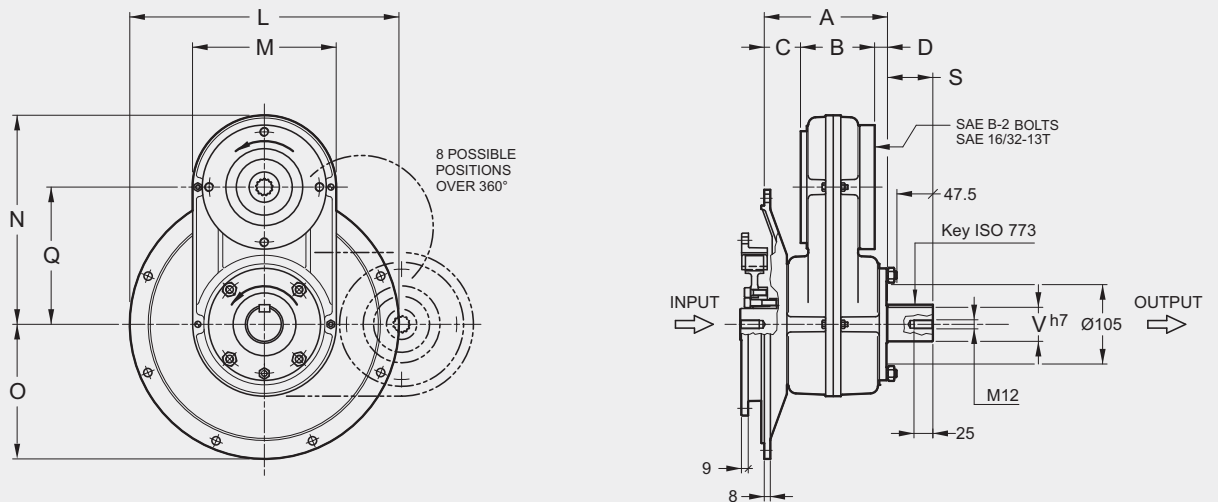
The SPD 7 output is a single pad SAE A or B pump tower as well as straight keyed output shaft. To allow for easy installation the pump tower can be mounted in 8 possible positions over 360 degrees. The shaft can be coupled directly to driven equipment or a pulley mounting for belt drive.

SPD 11



SPD 7

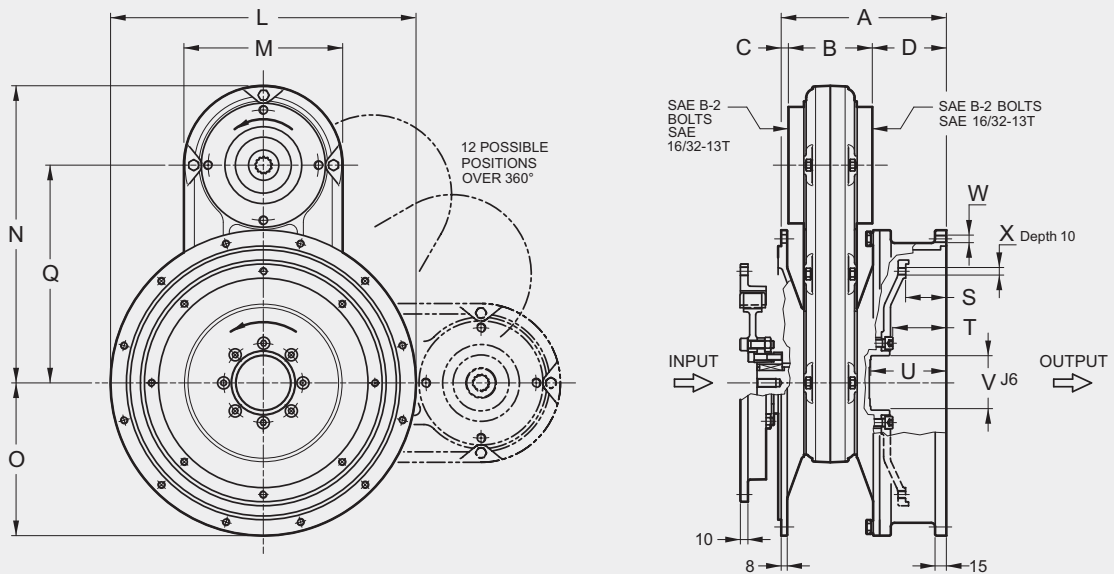




SPD 7

DIMENSIONS												
SIZE	SAE INPUT	A	B	C	D	L	M	N	O	Q	S	V
7	5 - 7 1/2"	162.5	99	46.5	17	356	190	276.5	178	181.5	60	45

TECHNICAL DATA					
SIZE	Weight kg	Max Speed rpm	Max input Torque Nm	Head kW	Ratio (n1:n2)
7	23	3000	310	20	1.023



SPD 11

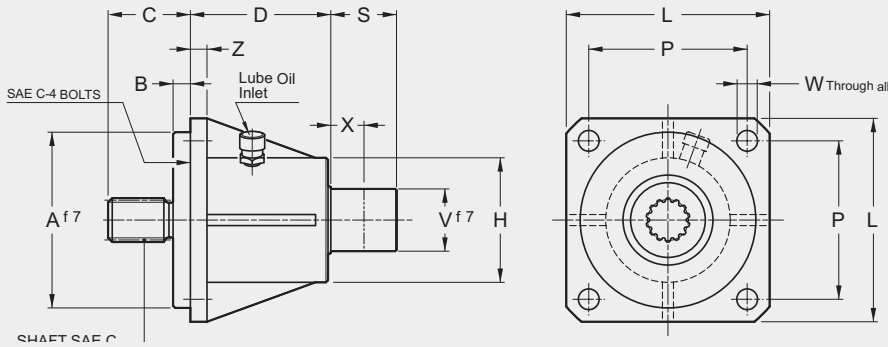
DIMENSIONS																
SIZE	SAE INPUT	SAE OUTPUT	A	B	C	D	L			N	M	O			Q	S
							SAE 3	SAE 4	SAE 5			SAE 3	SAE 4	SAE 5		
11	3 - 11 1/2" 4 - 10" 5 - 7 1/2"	4 - 10"	218.5	111	9.5	98	451	404	356	393	210	225,5	202	178	288	53,8

DIMENSIONS								TECHNICAL DATA						
SIZE	T	U	V	W		X		Weight Kg	Max speed rpm	Max input torque Nm			Head kW*	Ratios (n1:n2)
				Dia.	Nr.	Dia.	Nr.			SAE 3	SAE 4	SAE 5		
11	71	100	72	M10	12	M10	12	50	3000	560	560	310	53	1.0

* @ 3000 rpm

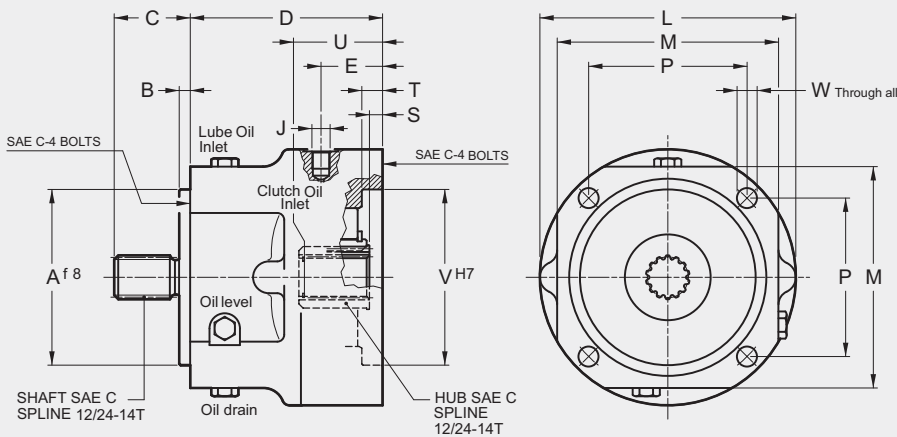
Dimensions are subject to alteration without notice

Head PTO for in-line and pulley mounting



PTO	DIMENSIONS											TECHNICAL DATA				
	A	B	C	D	H	L	P	S	V	W		Z	Max speed rpm	Max torque Nm	Max side load N with X=24	Oil quantity lt
	127	12.5	55	89.5	90	147	114.5	47.5	45	Dia.	Nr.					
										15	4	12	3000	500	7200	0.65

CC650 oil actuated clutch for pump disconnection

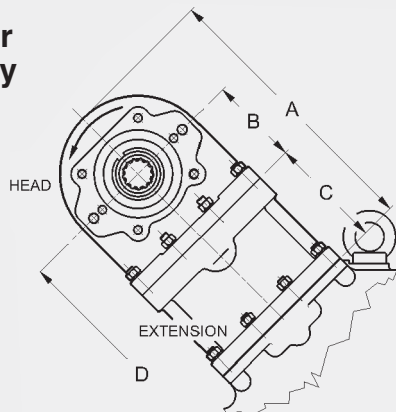


Working pressure bar	8	10	12	16
Max torque Nm	266	332	398	531

For higher torques, please contact TF for approval

CC 650	DIMENSIONS													TECHNICAL DATA			
	A	B	C	D	E	J	L	M	P	S	T	U	V	W		Max torque Nm	Max pressure bar
	127	8	55	139	44.5	1/4" BSP	185	160	114.5	9.5	15	56.5	127	Dia.	Nr.		
														14.5	4	830	25

Head extension for MPD18 and 22 only



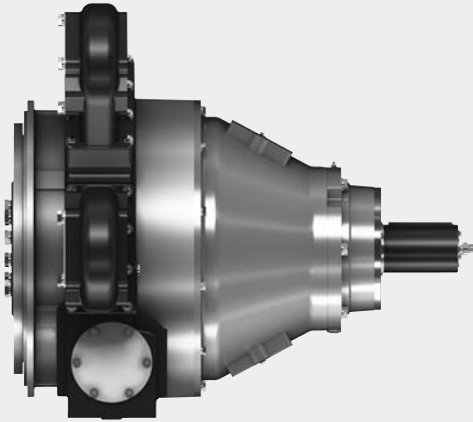
	DIMENSIONS			
	A	B	C	D*
MPD 18	405	128	164	649
MPD 22	431	128	190	740

* from main shaft axis

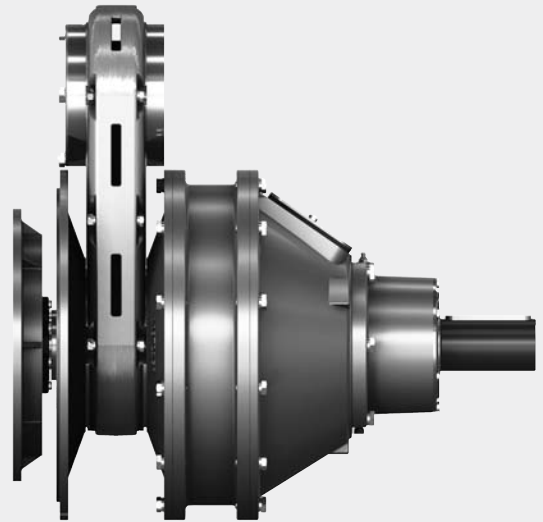
When there is interference between the pumps mounted on the MPD and the driven device, the head extension kit is the perfect solution. This kit mounts on any head and provides an extra 164 mm of clearance. Additionally, the extension kit reverses the rotation of MPD head making it useful where engine rotation is required.

INSTALLATION EXAMPLES

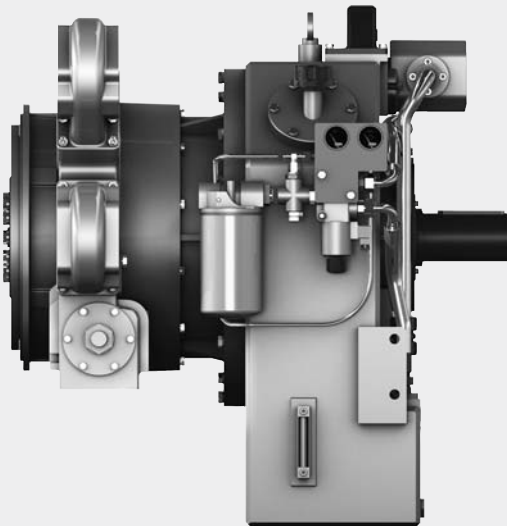
MPD with HFO OIL ACTUATED PTO



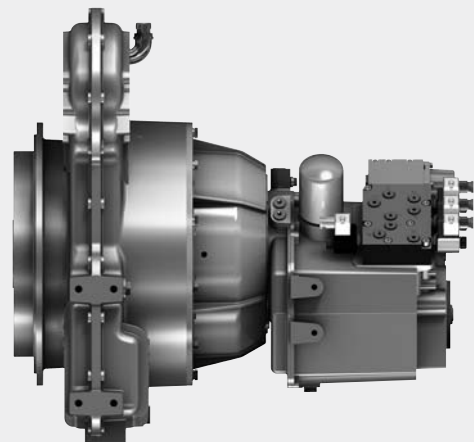
SPD with HFR OIL ACTUATED PTO



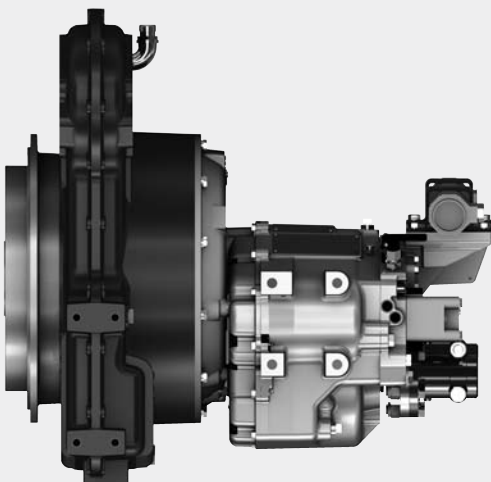
MPD with KPTO VARIABLE FILL FLUID COUPLING



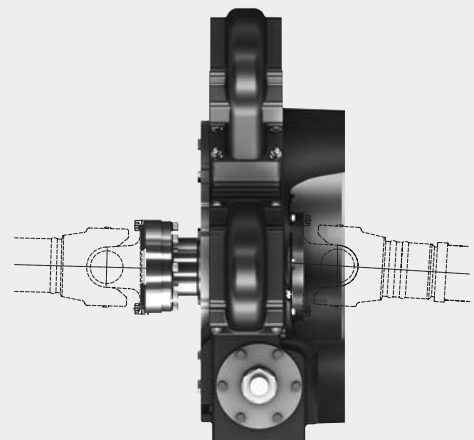
MPD with RANGERMATIC POWER SHIFT TRANSMISSION



MPD with MARINE GEAR

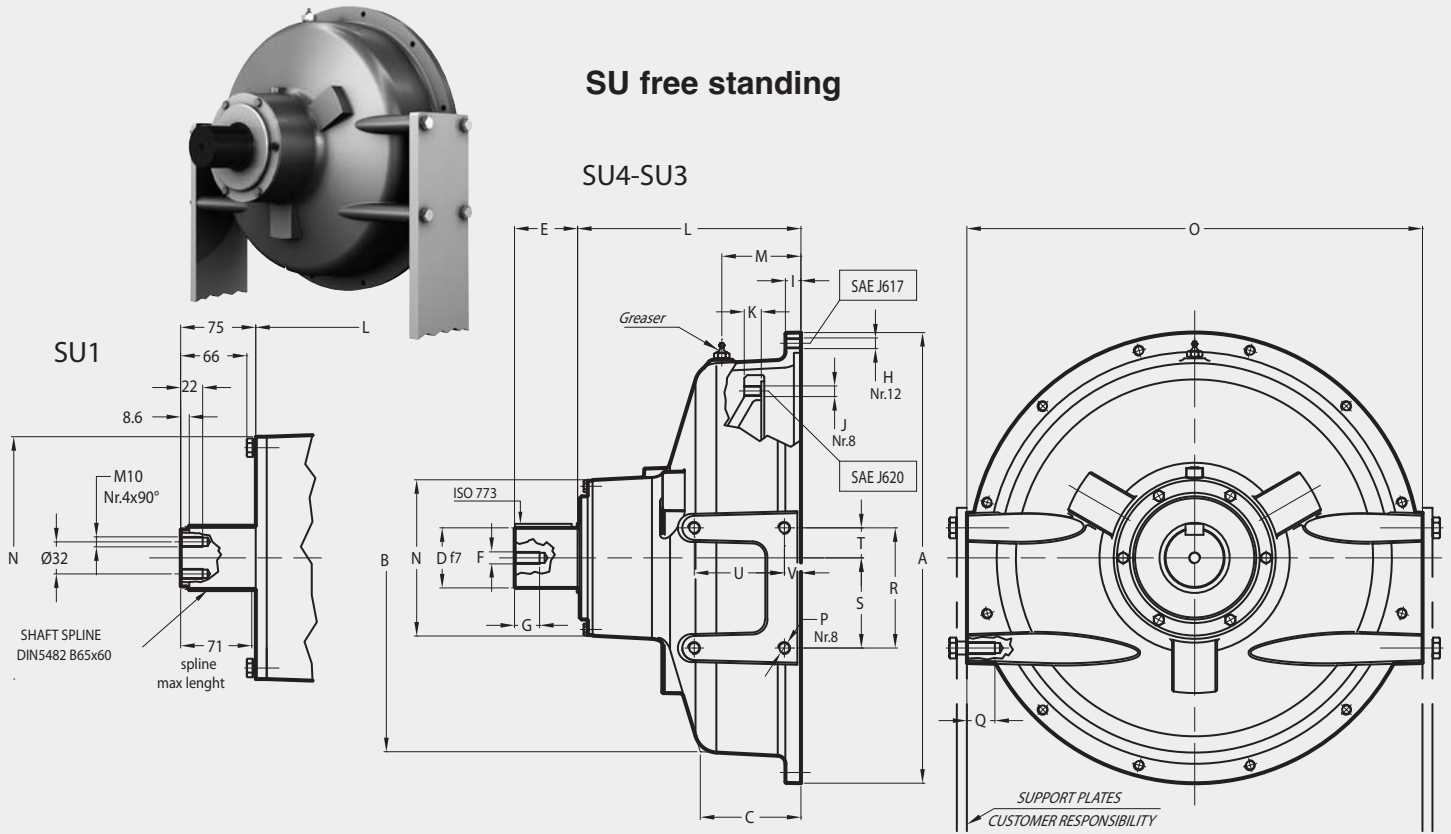


MPD with IMPUT and OUTPUT CARDAN SHAFT (FOOT MOUNTING)



SU free standing

SU4-SU3



Dimensions

SIZE	SAE J617	SAE J620	A	B	C	D	E	F	G	H	I	J	K	L	M	N	O	P	Q	R	S	T	U	V
SU4	4	10"	403	350	105	42	48	M12	25	M10	15	M10	-	201,5	-	138	405	M10	28	105	80	25	85	15
SU3	3	11 1/2"	450	390	100	60	63	M12	25	M10	15.5	M10	78	223	78	156	455	M12	28	120	90	30	90	16.5
SU1	1	14"	552	500	143	See drawing				M10	23	M12	96	251	120	242	555	M16	35	240	120	120	130	25

U.S.A. & CANADA

TRANSFLUID LLC
 Auburn, GA30011
 Tel.: +1.770.8221777
 Fax: +1.770.8221774
 tfusa@transfluid.it

ITALY

TRANSFLUID s.r.l.
 Via Guido Rossa,4 - 21013 Gallarate (VA)
 Tel.: +39 0331.28421
 Fax: +39 0331.2842911
 info@transfluid.it

FRANCE

TRANSFLUID FRANCE s.a.r.l.
 38500 Voiron
 Tel.: +33.9.75635310
 Fax: +33.4.26007959
 tffrance@transfluid.it

BRAZIL

TRANSFLUID DO BRASIL
 Representative Office
 05014-060 Sao Paulo SP
 Tel.: +55.11.48235308
 Fax: +55.11.48235308
 tfbrasil@transfluid.it

RUSSIAN FEDERATION

TRANSFLUID OOO
 Moscow
 Tel.: +7.495.4966004
 Mob.: +7.926.8167357
 tfrussia@transfluid.it

CHINA

TRANSFLUID BEIJING TRADE CO. LTD
 Beijing
 Tel.: +86.60442301-2
 Fax: +86.60442305
 tbtinfo@sina.com

LOCAL DISTRIBUTOR

Global web site
 www.transfluid.eu